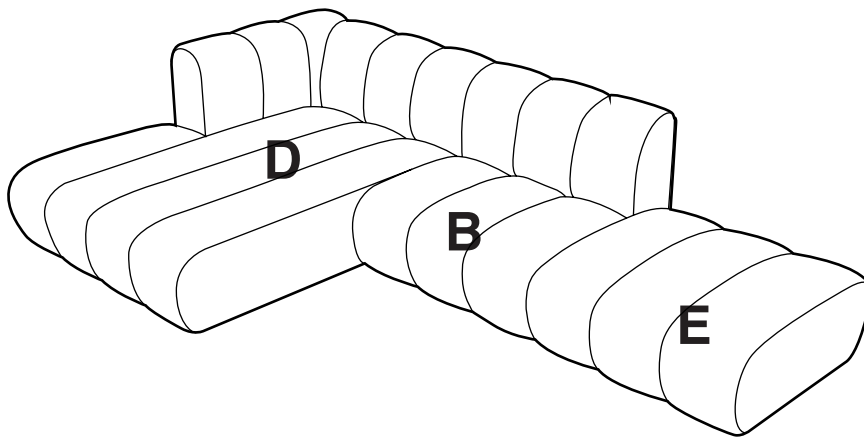
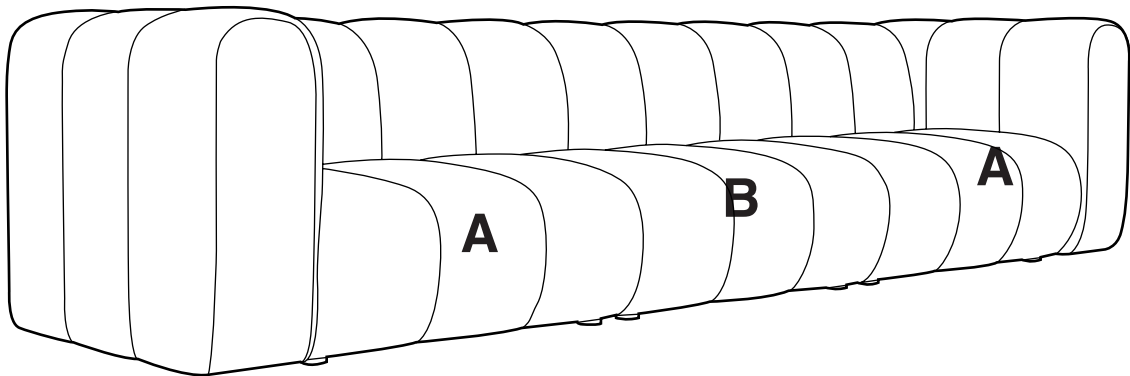
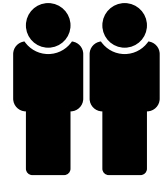


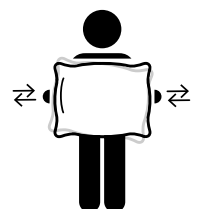
Lupine

sofa

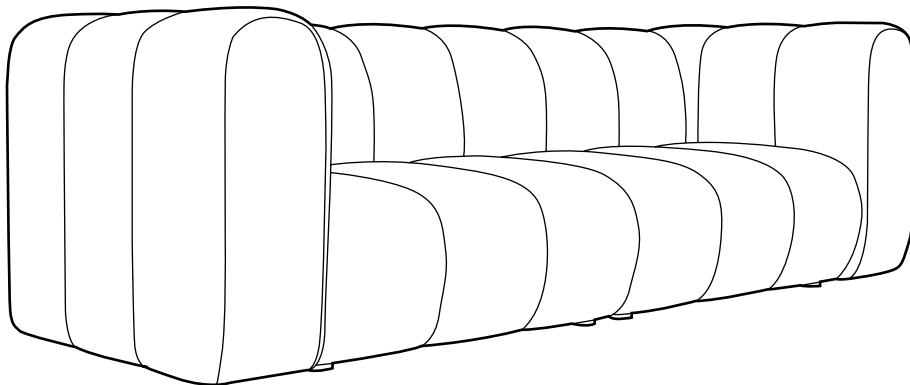
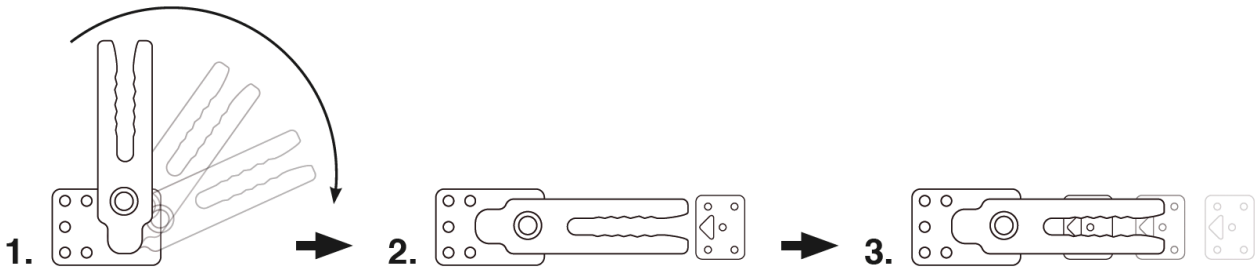
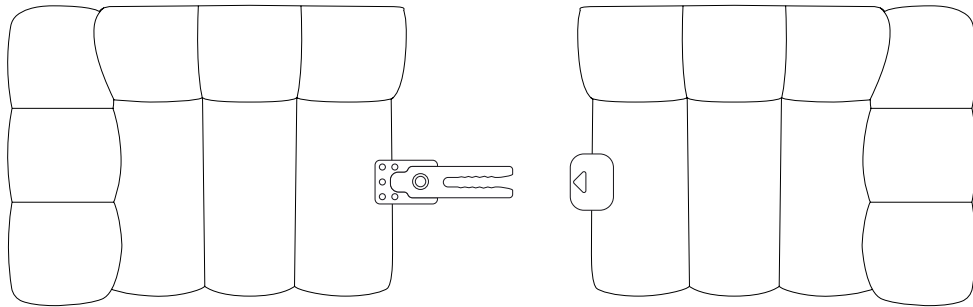
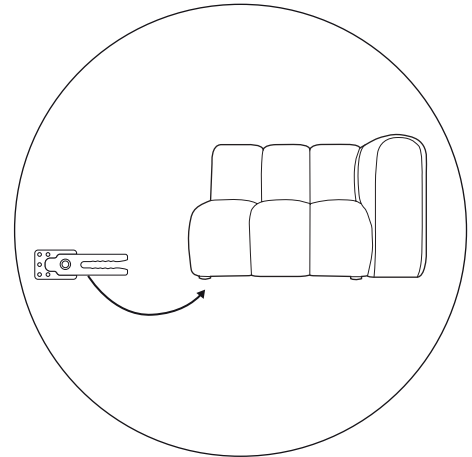
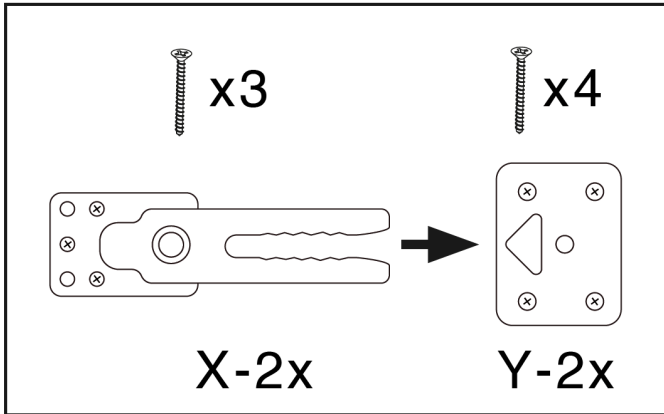


1 of 9

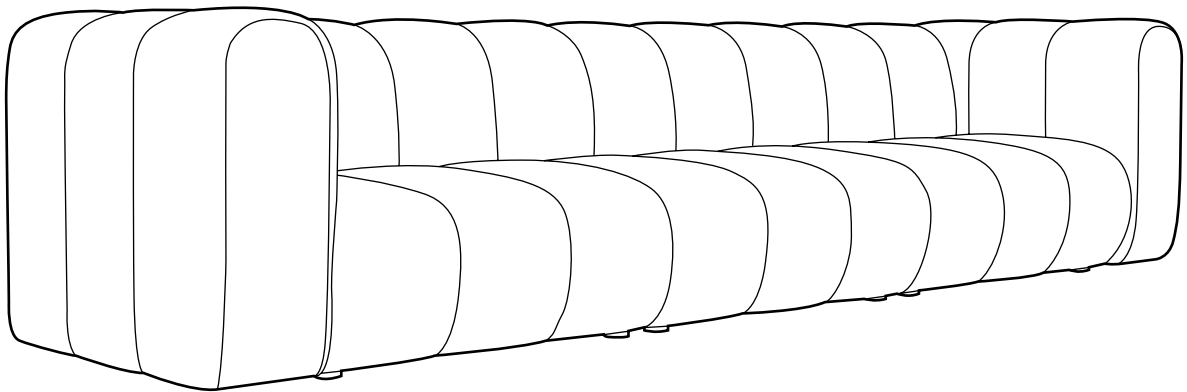
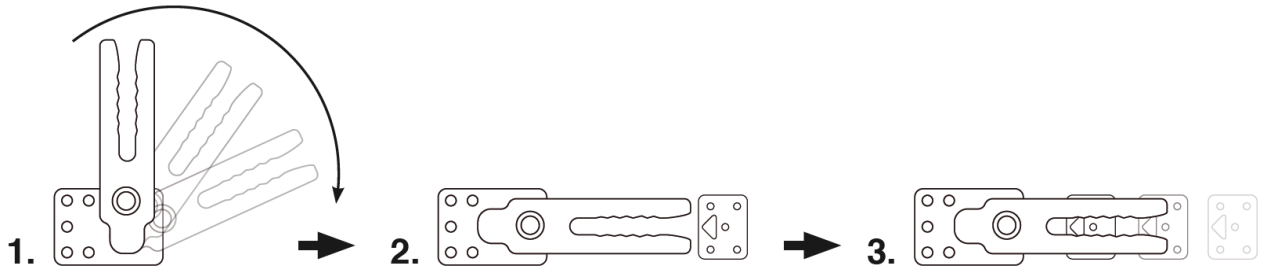
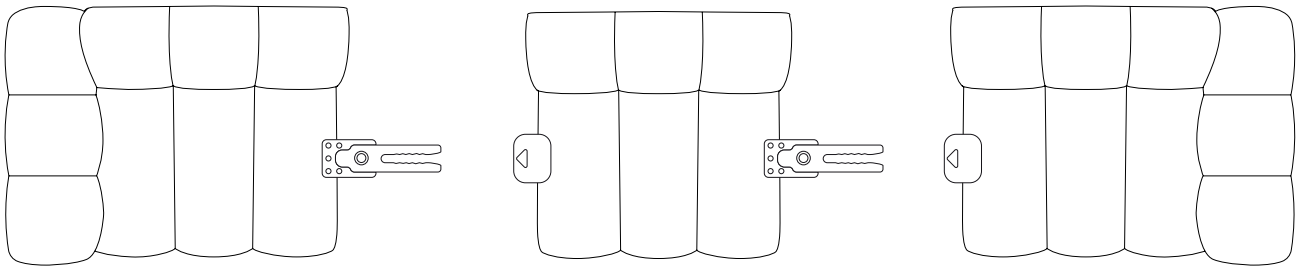
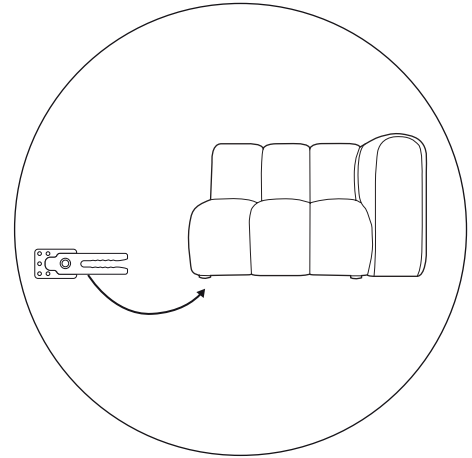
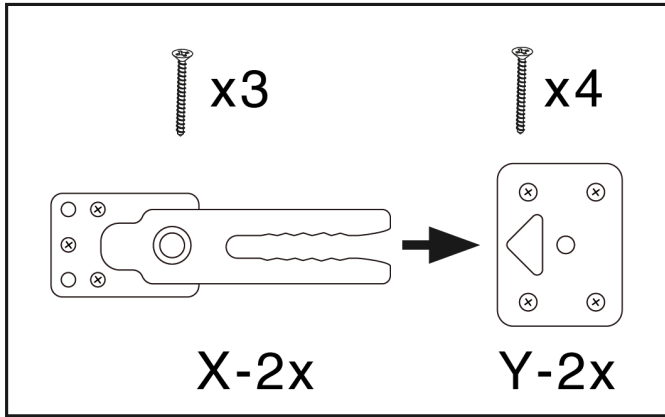
SHAPE UP ALL PILLOWS AND CUSHIONS!



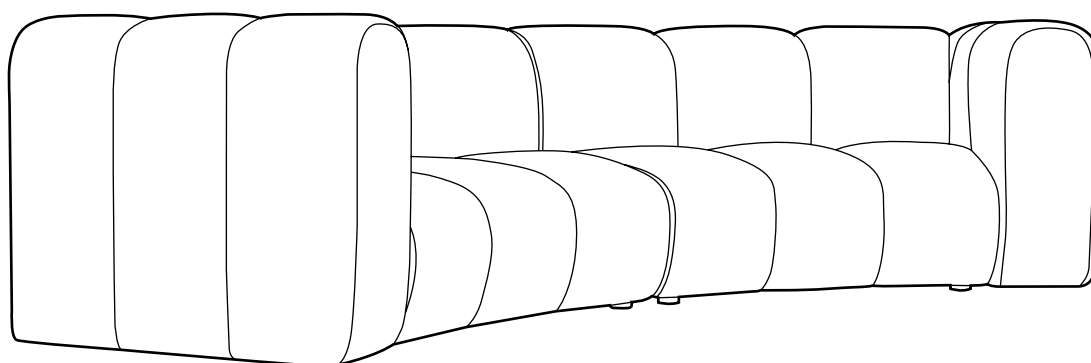
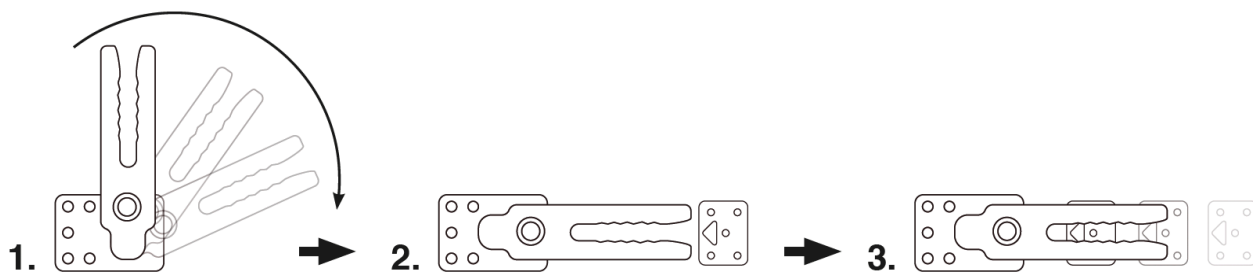
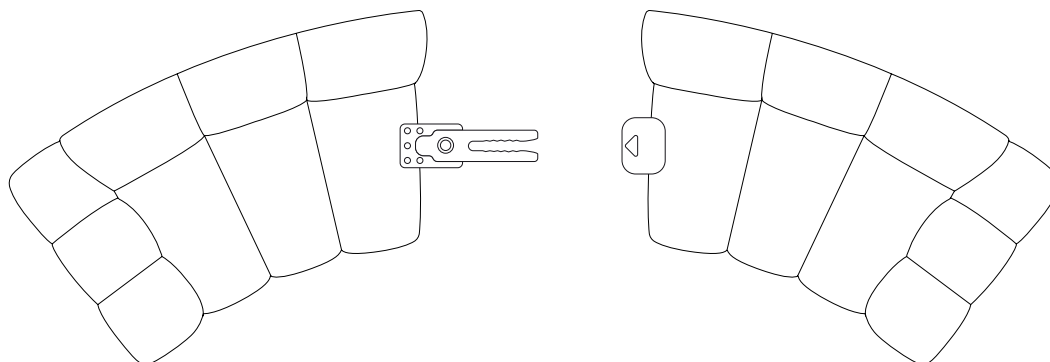
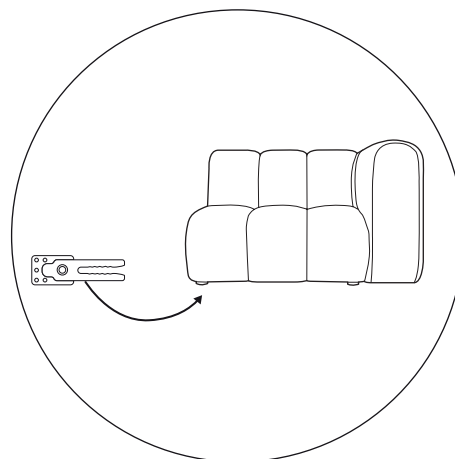
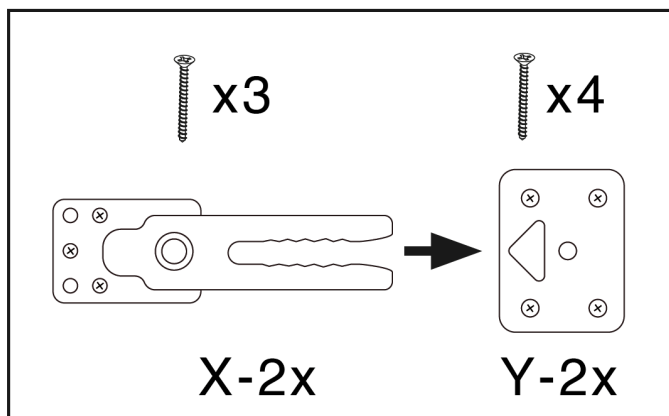
1: 2x A



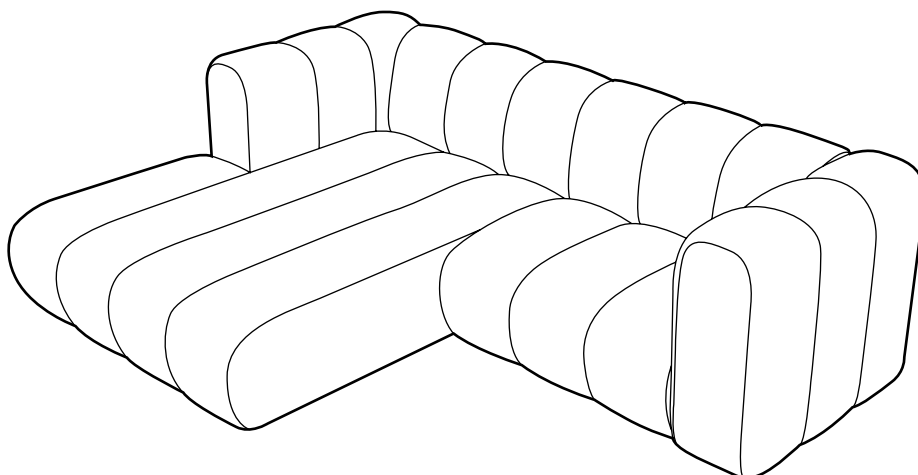
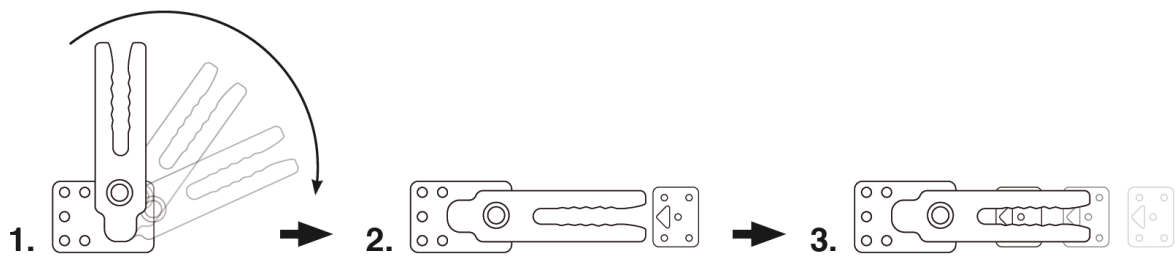
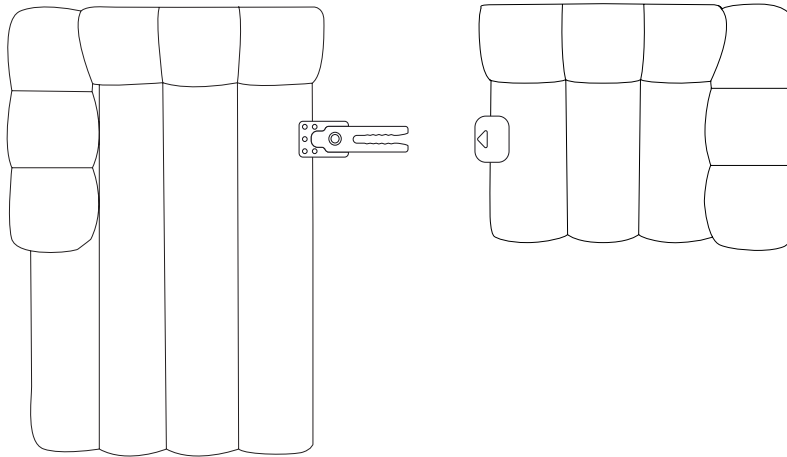
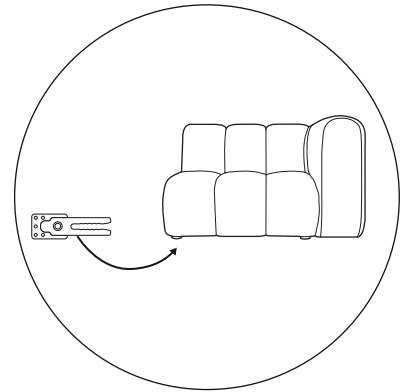
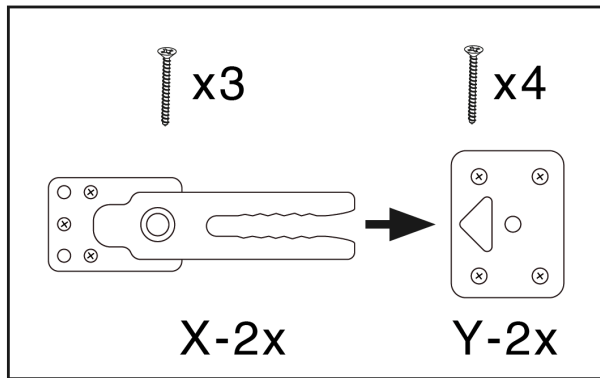
2: 2x A + B



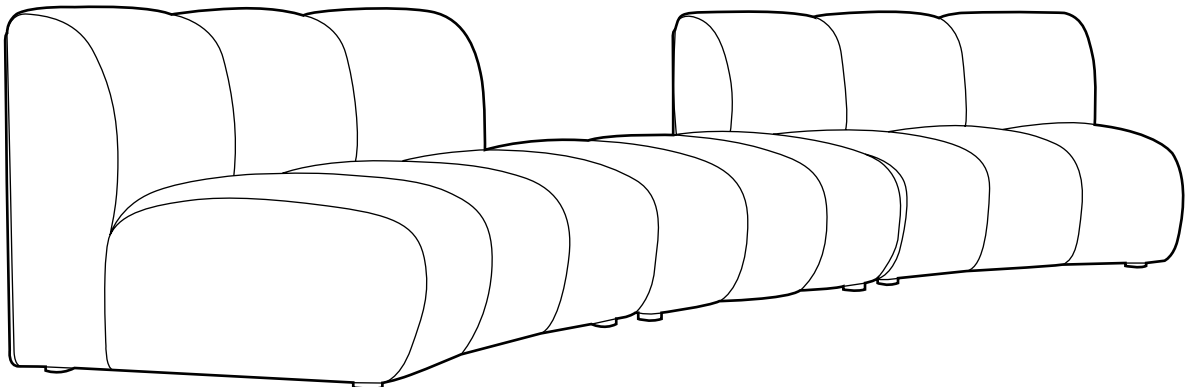
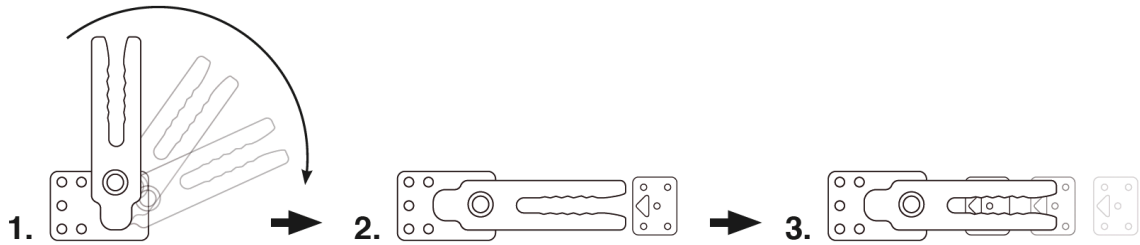
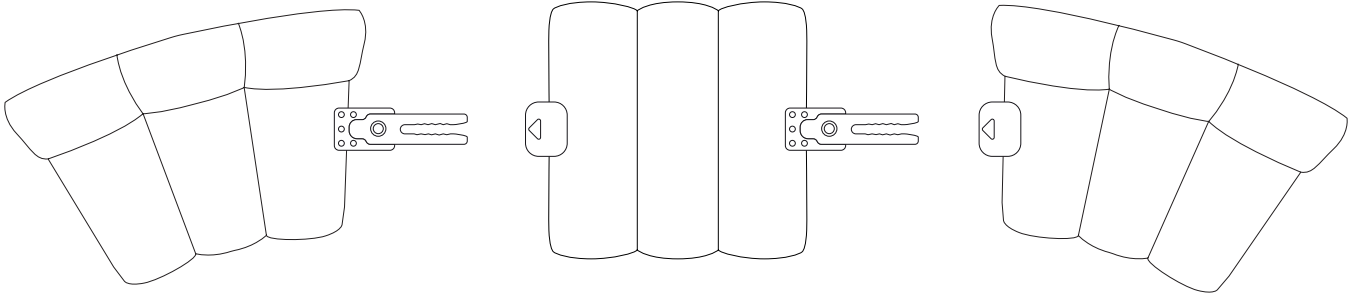
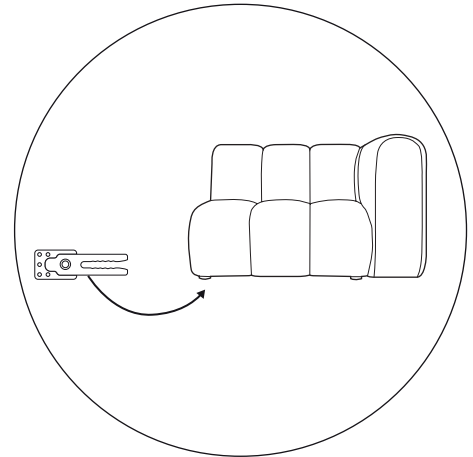
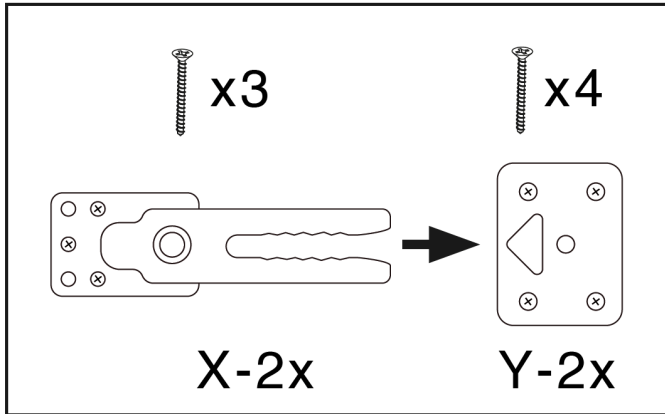
3: 2x C



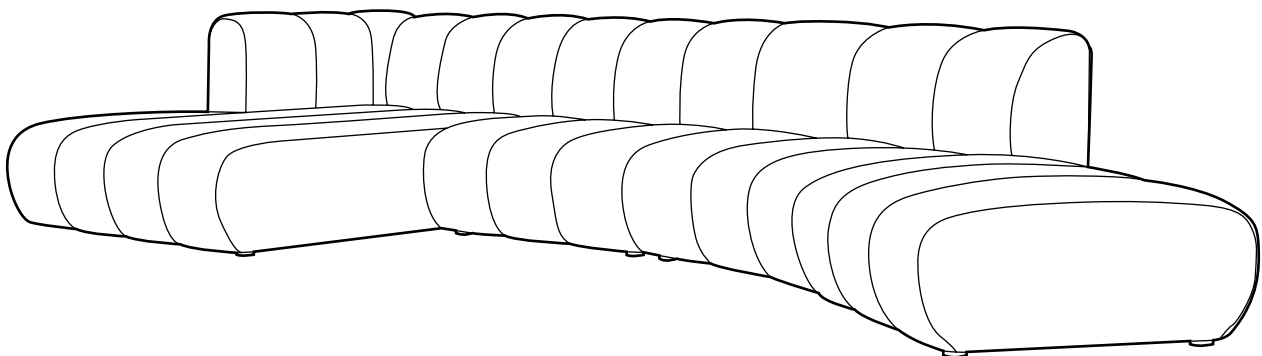
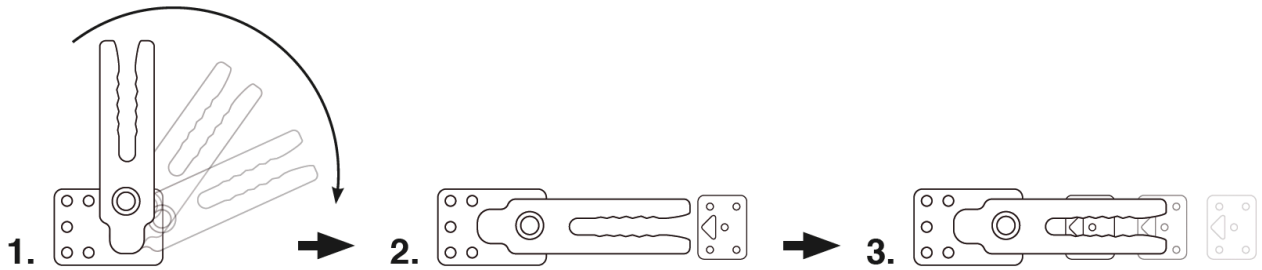
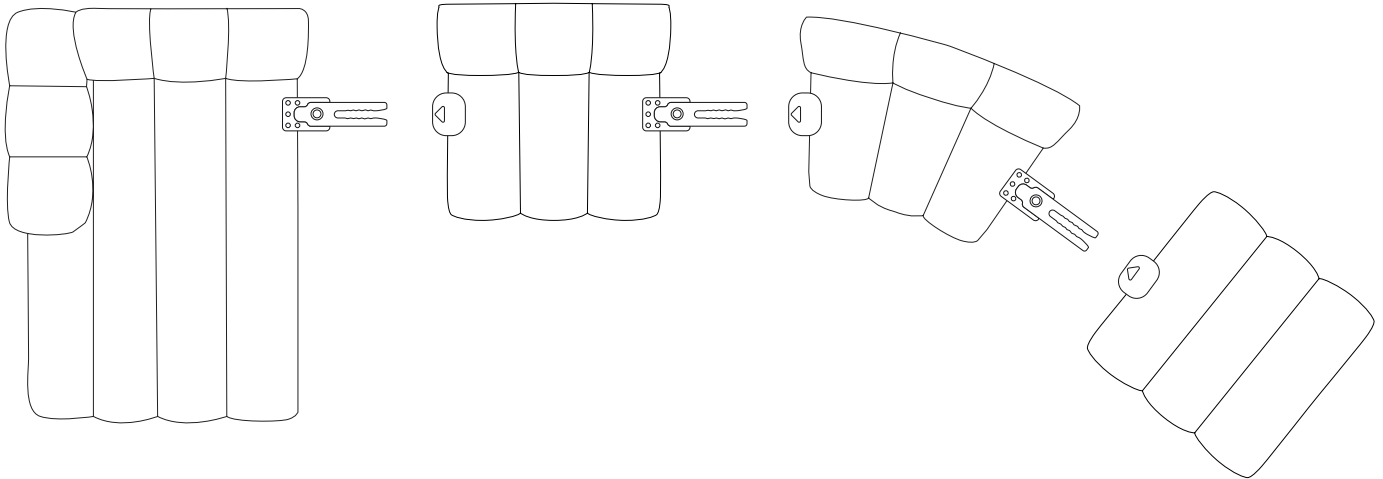
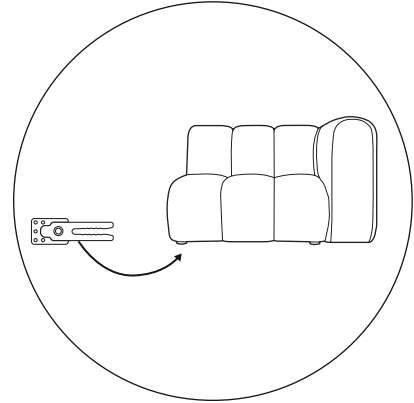
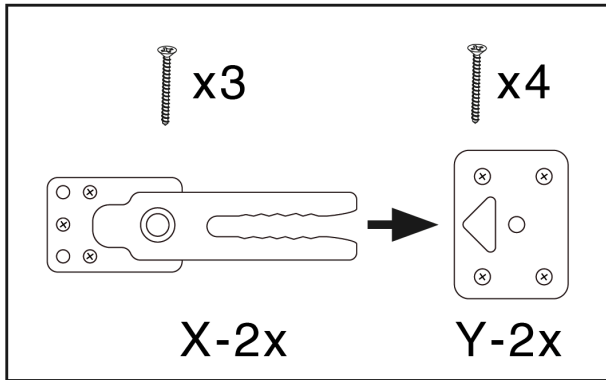
4: A + D



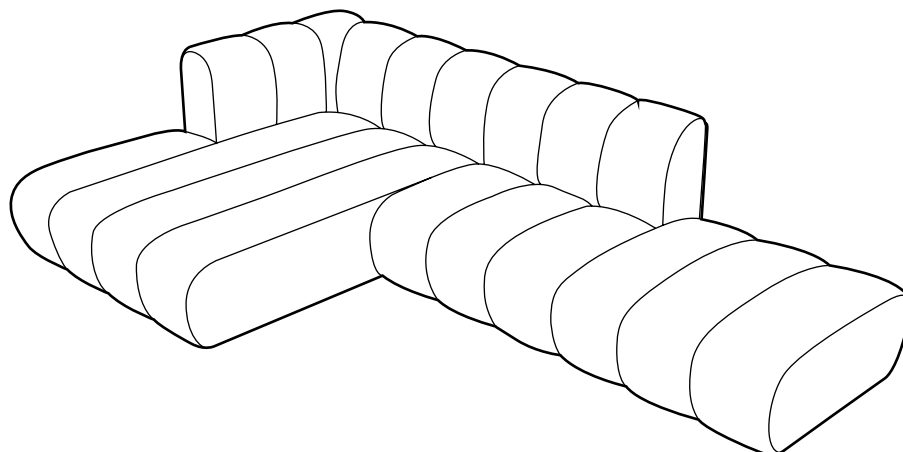
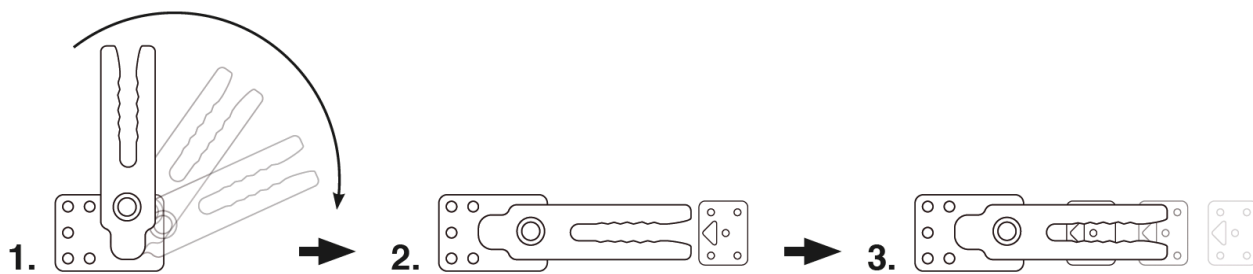
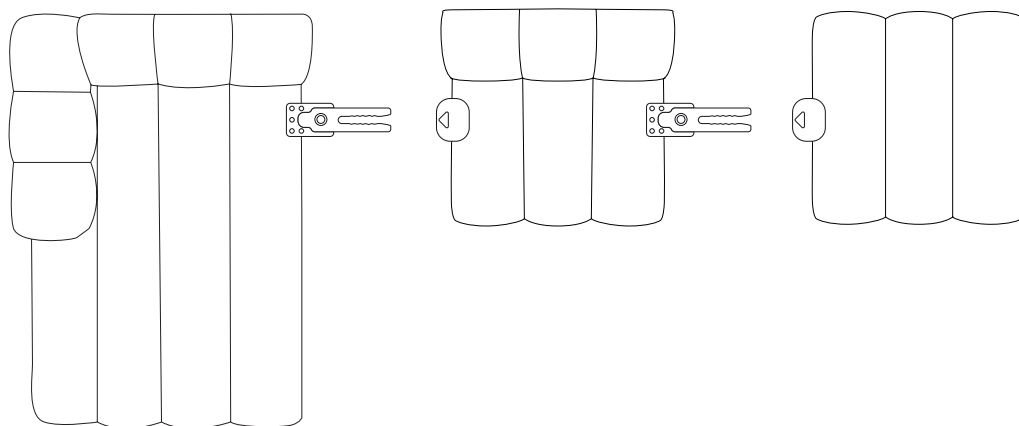
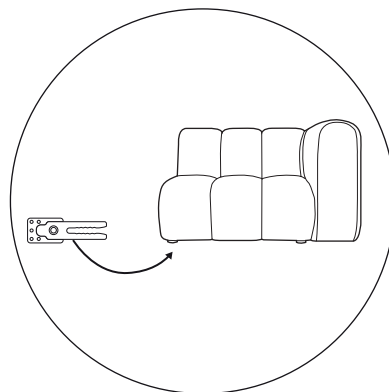
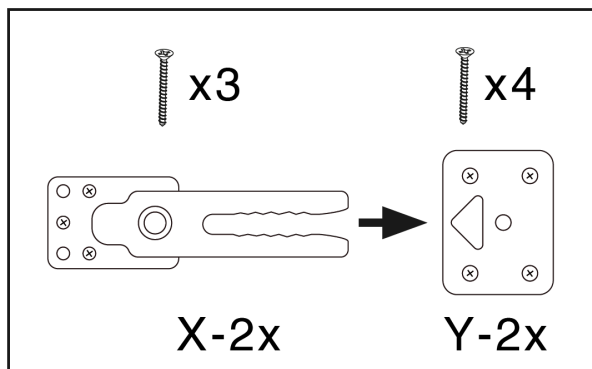
5: 2x F + E



6: B + D + E + F



7: B + D + E



8: A + E + F

