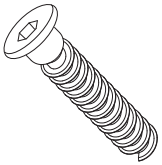


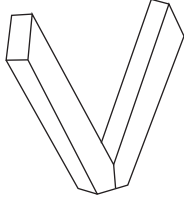
Virginia

table

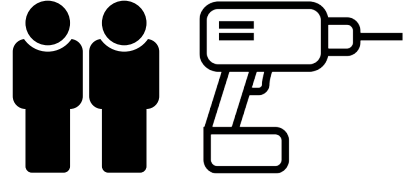
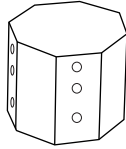
x4



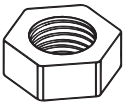
x4



x1



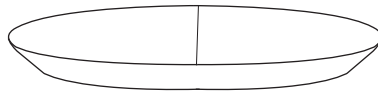
x8



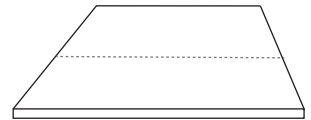
x4



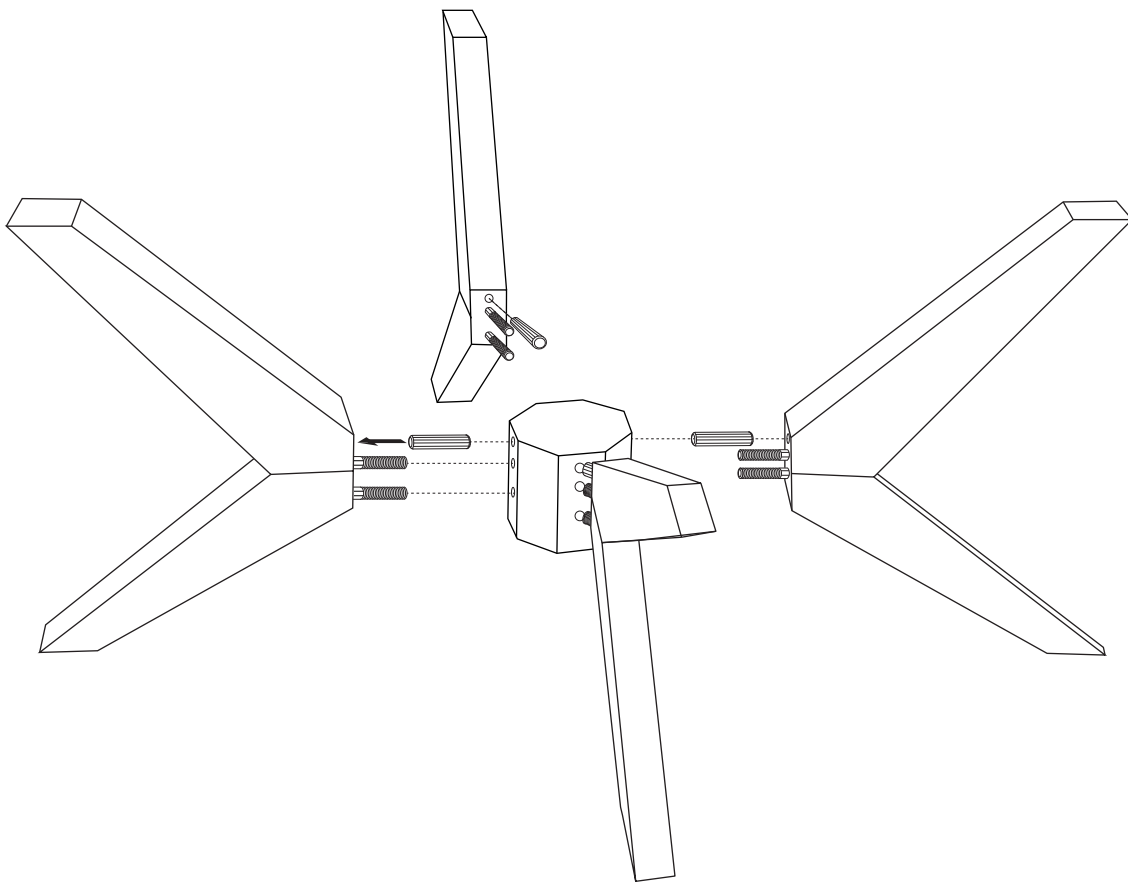
x1



x2



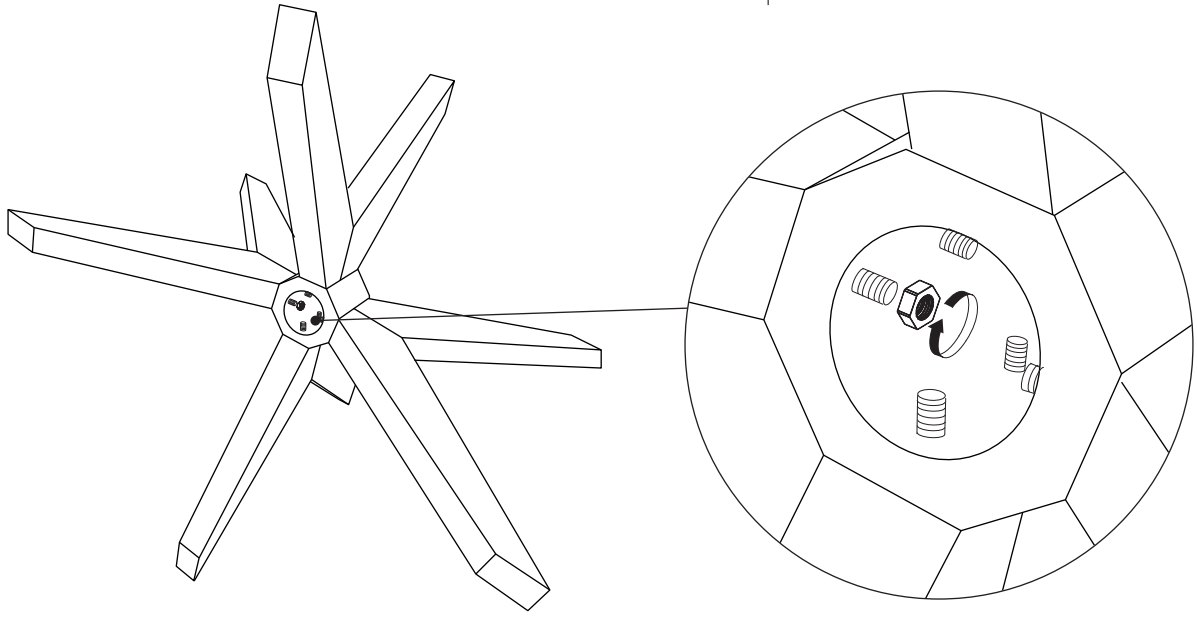
1



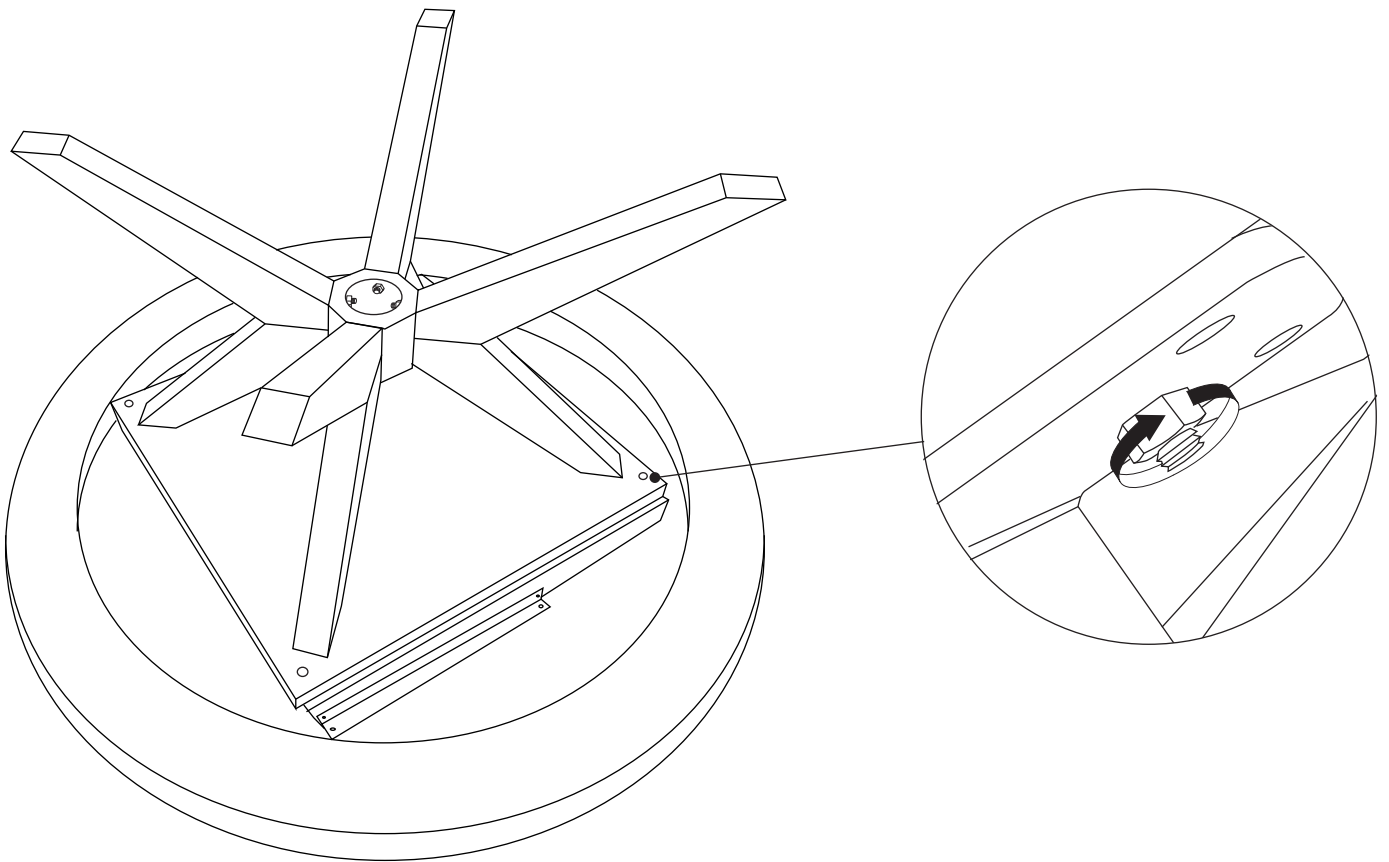
2

Virginia

table

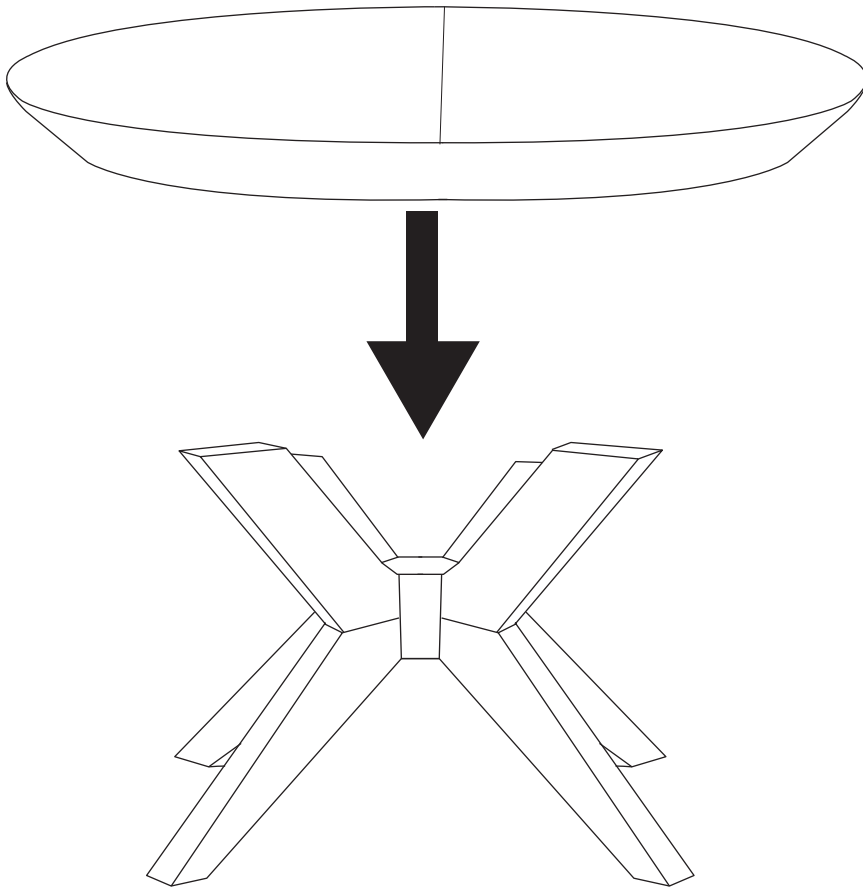


3

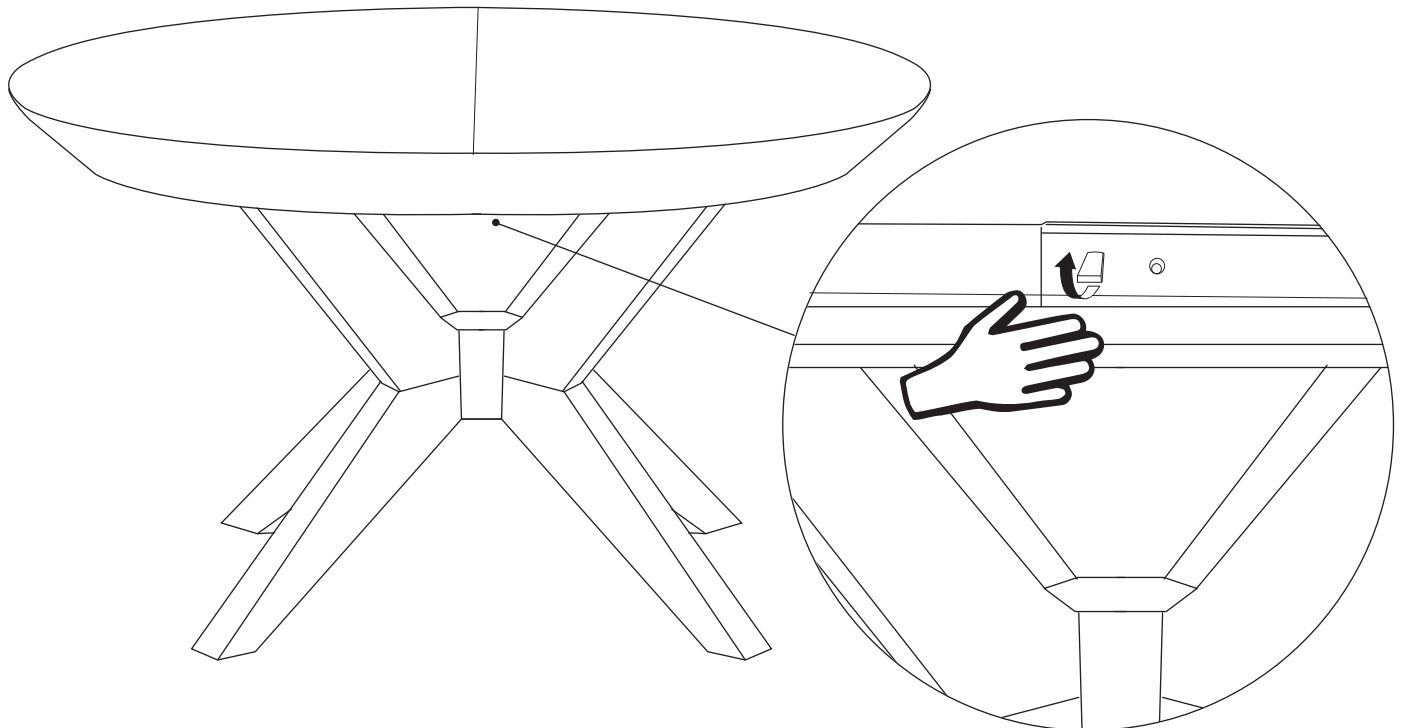


4

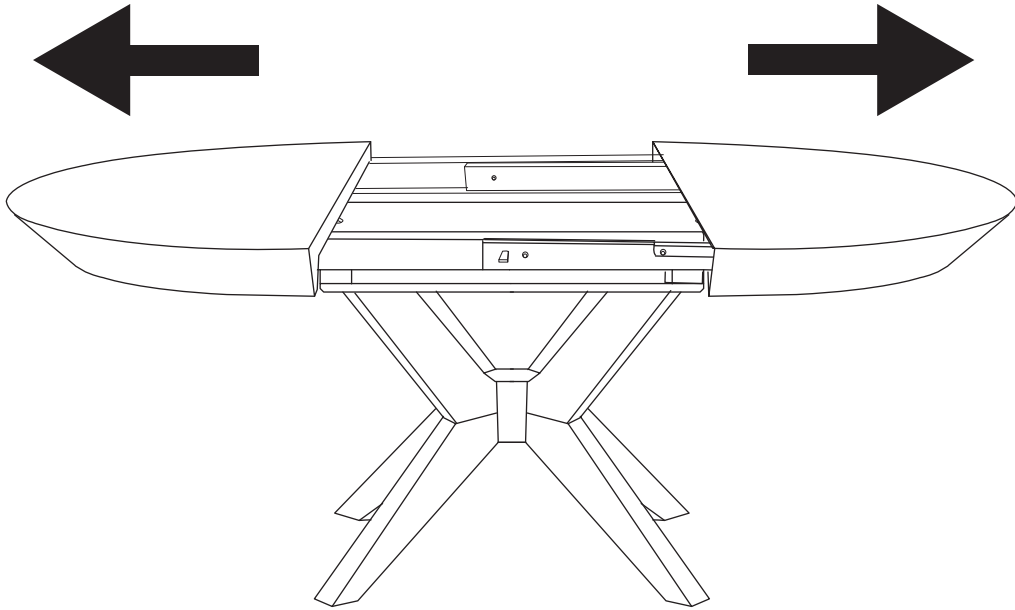
Virginia
table



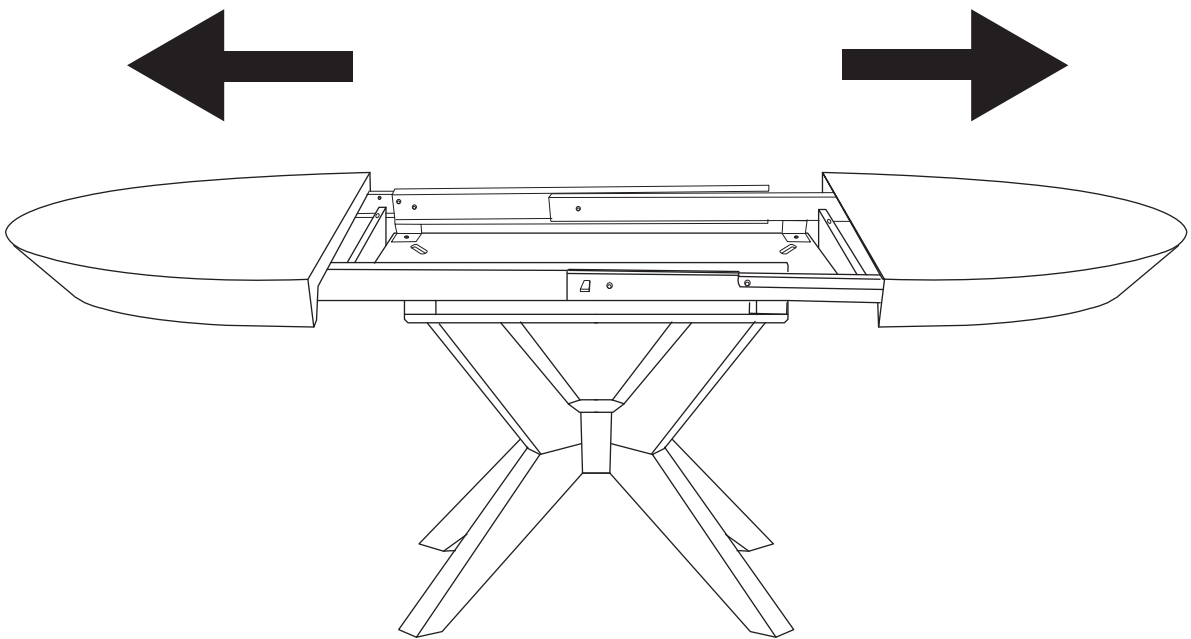
5



6



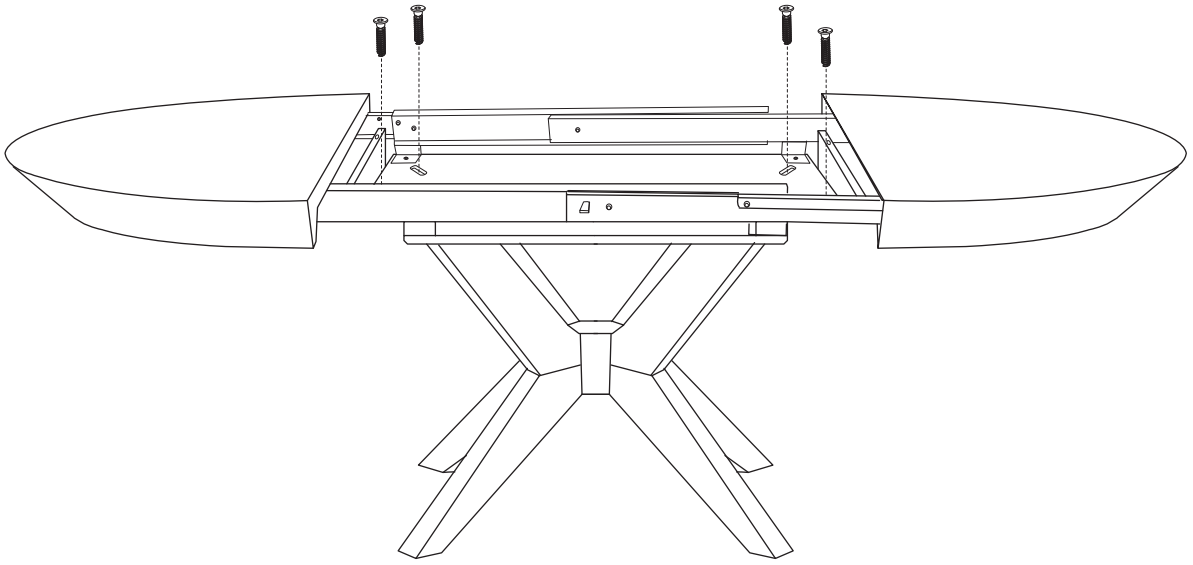
7



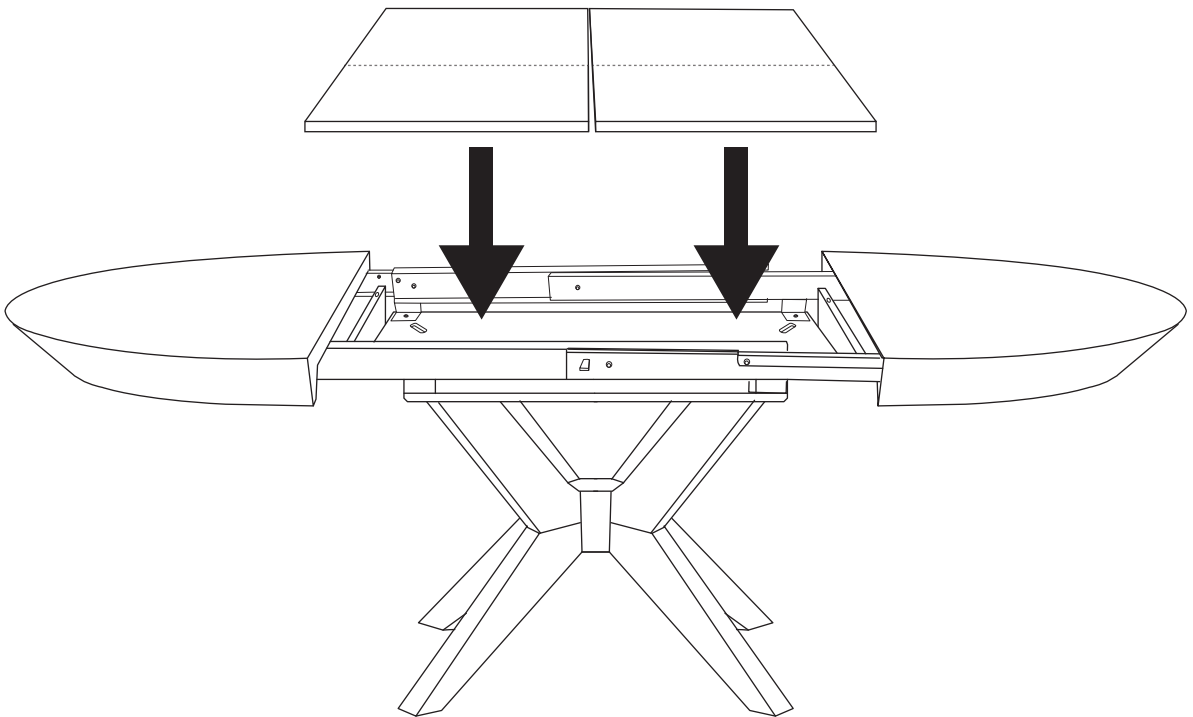
8

Virginia

table



9



function

