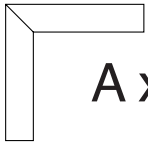


Mamaia

sofa 3s / 4s

A

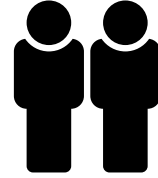


A x4

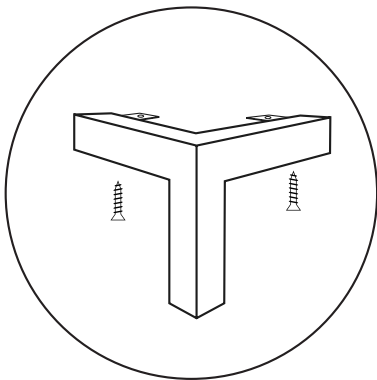
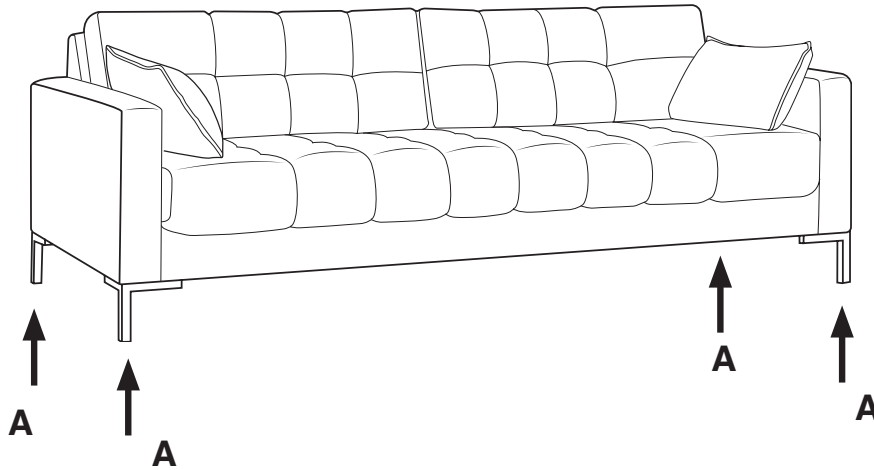
B



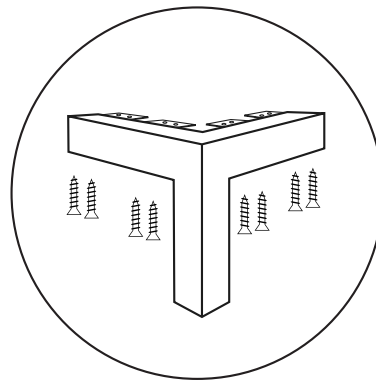
B x1



* the installation method for a right and left-sided sofa is analogous.

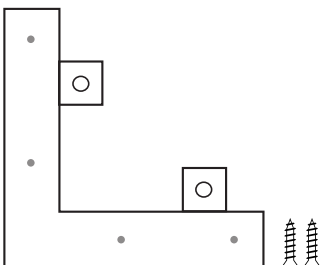


option 1

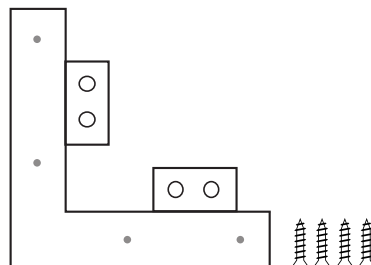


option 2

option 1

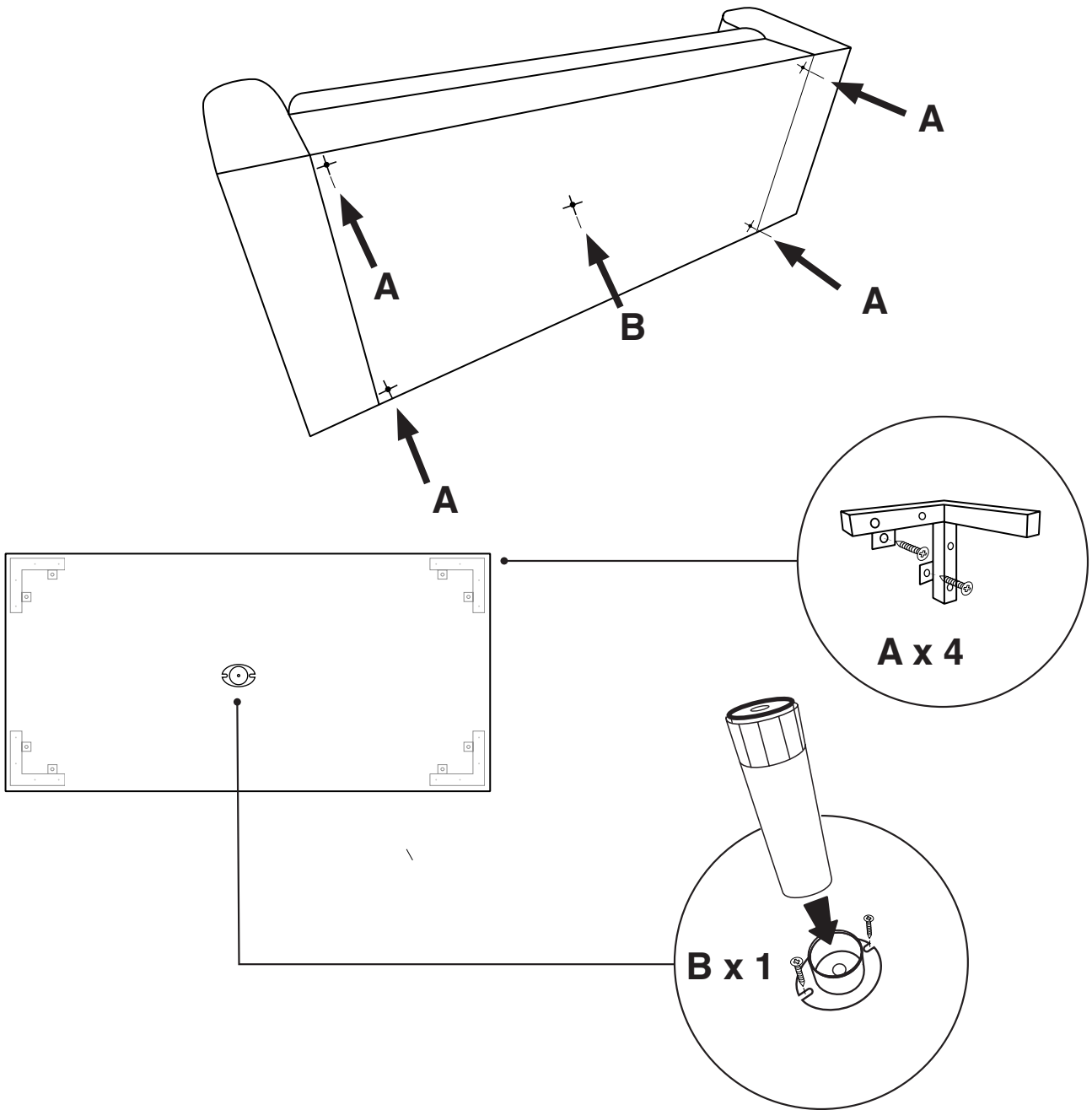


option 2



ATTENTION!

Legs should be mounted depending on the batch. Check the legs in your kit and mount them as instructed.



2 of 2

SHAPE UP ALL PILLOWS AND CUSHIONS!

