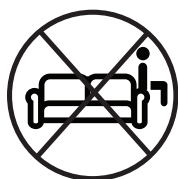
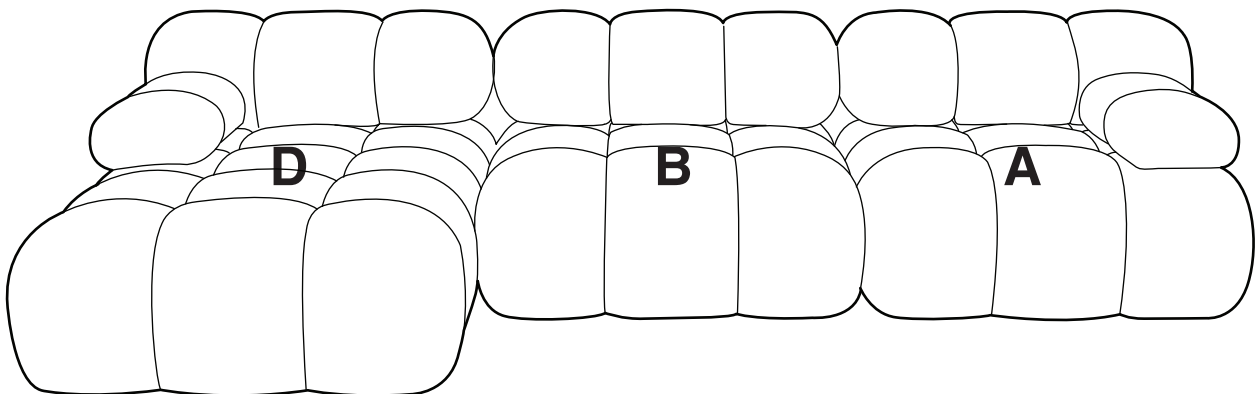
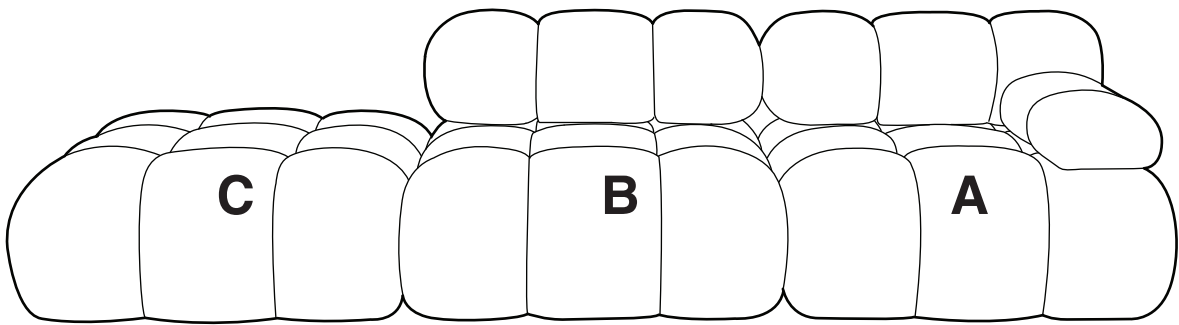
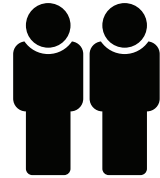
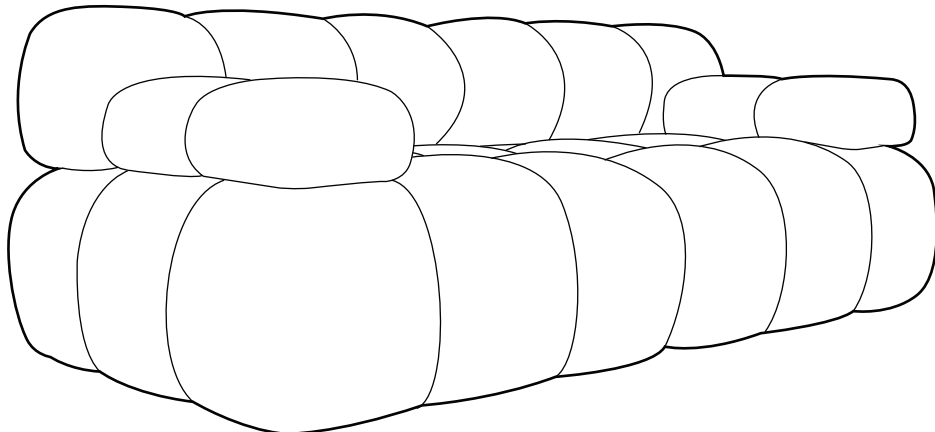
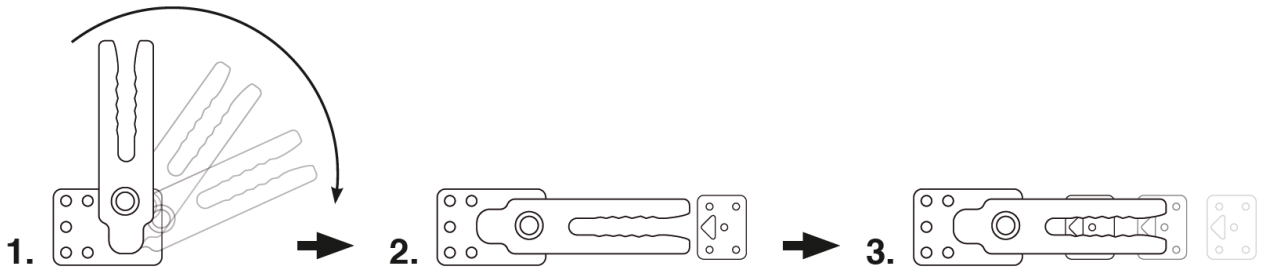
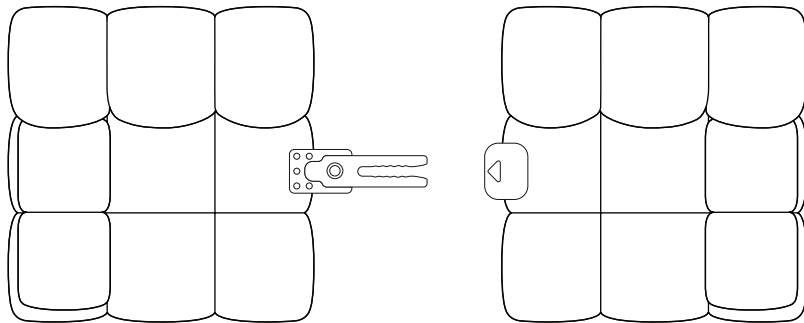
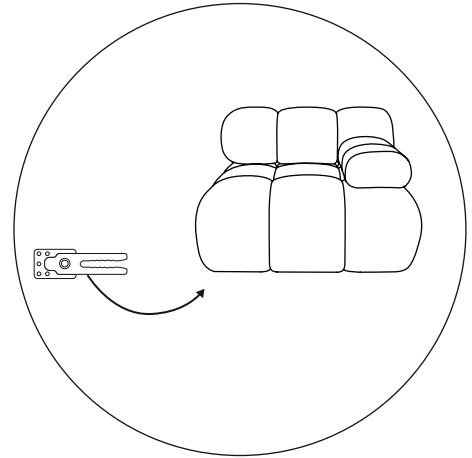
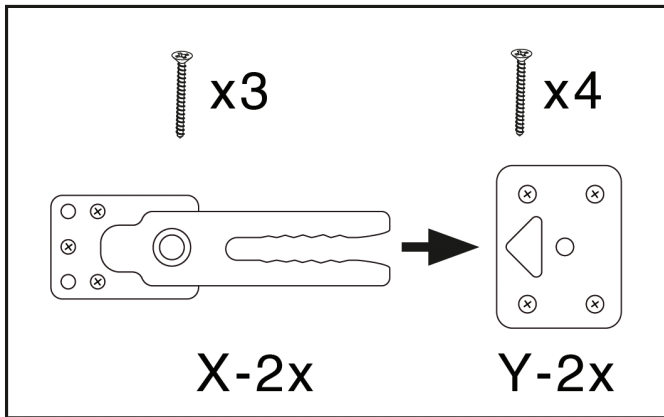


Bellis

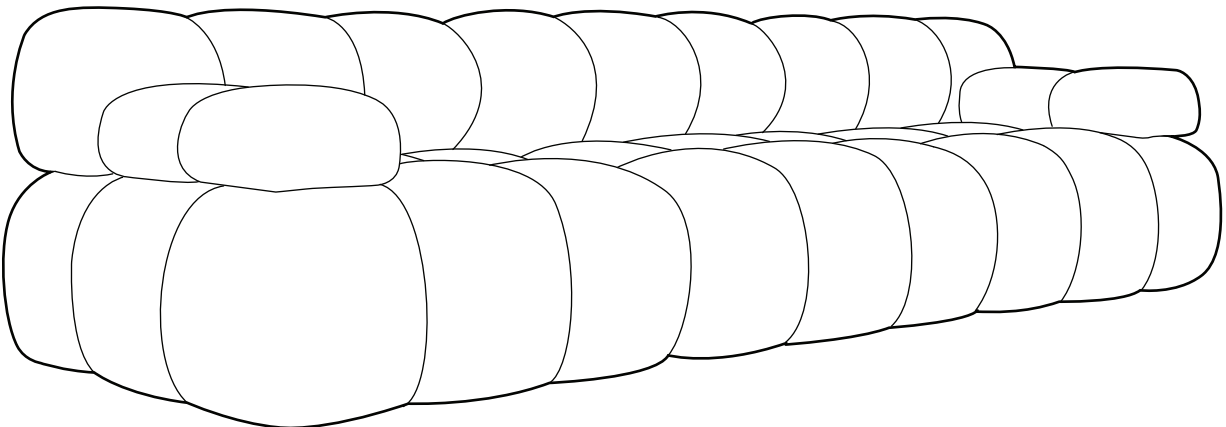
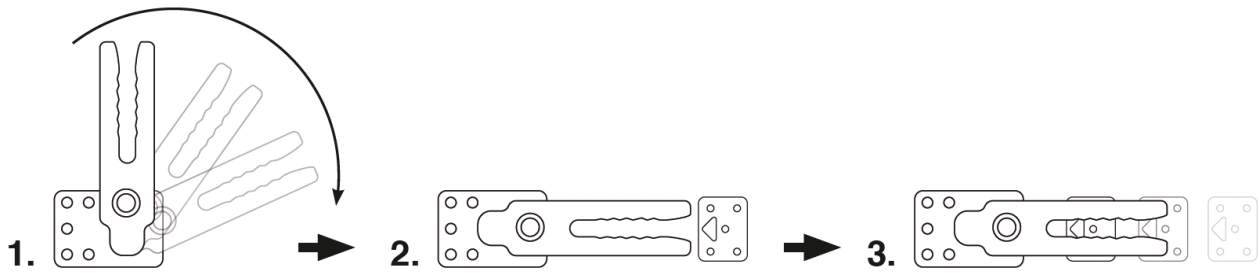
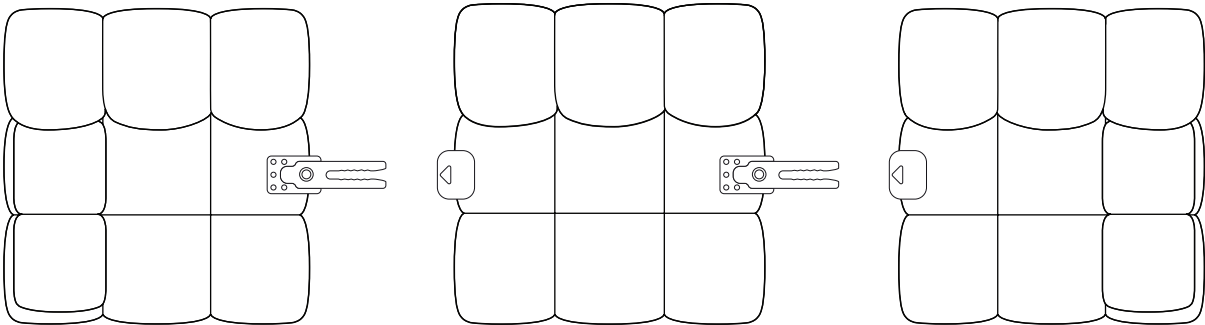
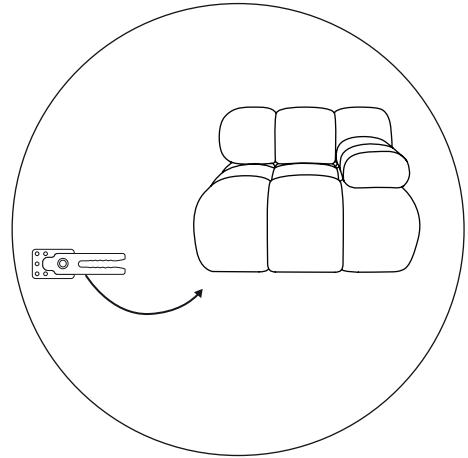
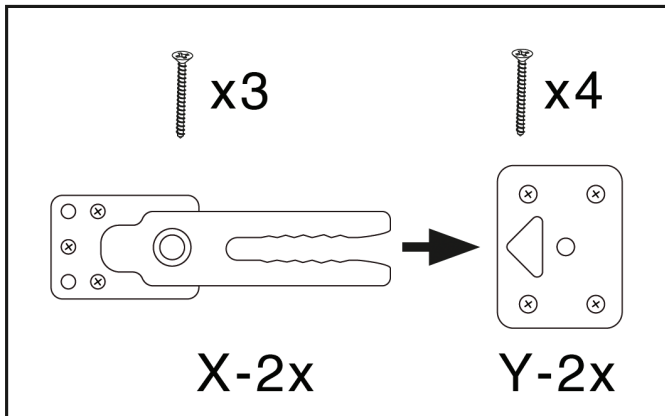
sofa



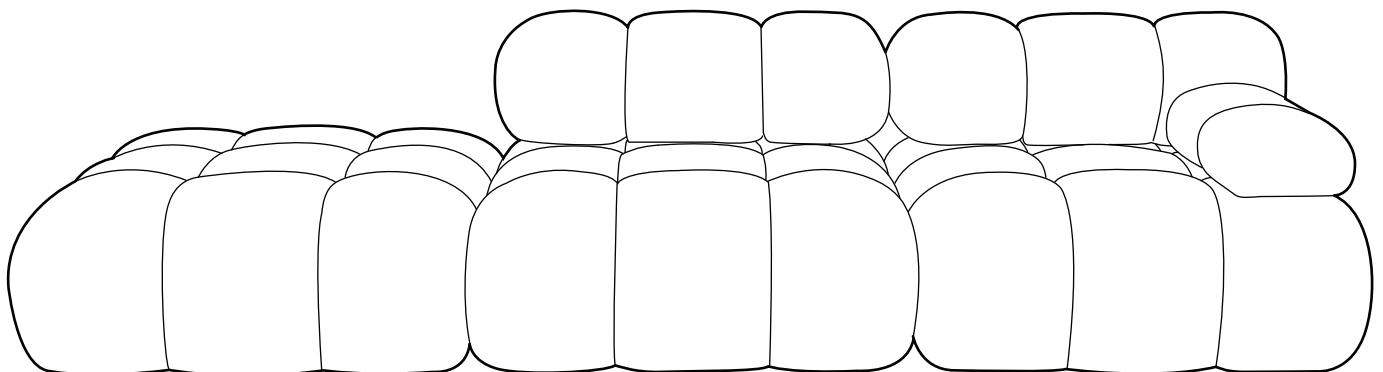
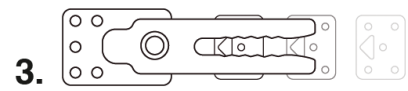
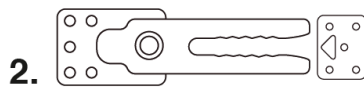
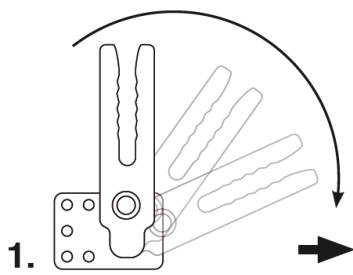
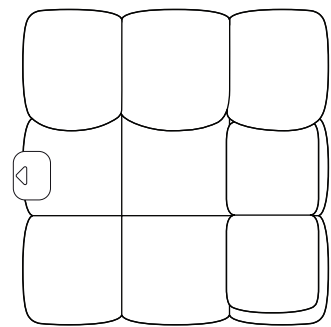
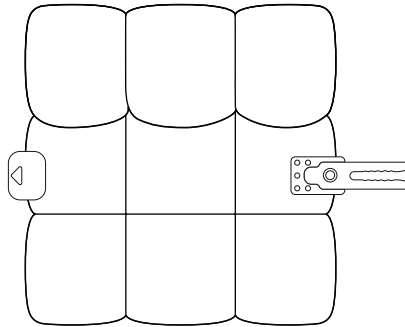
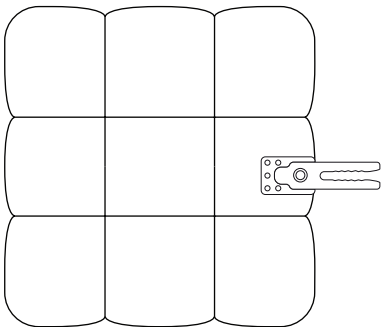
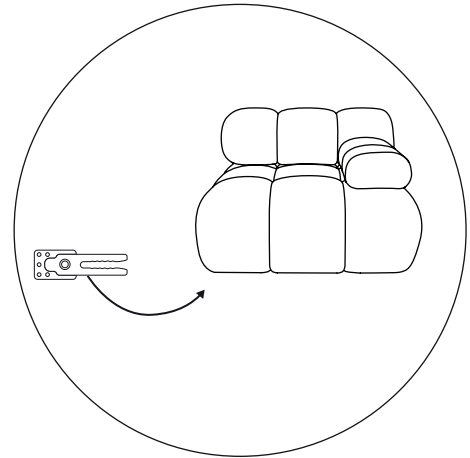
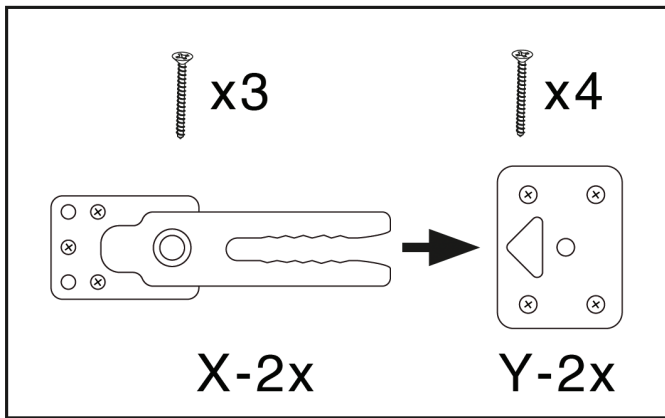
1: 2x A



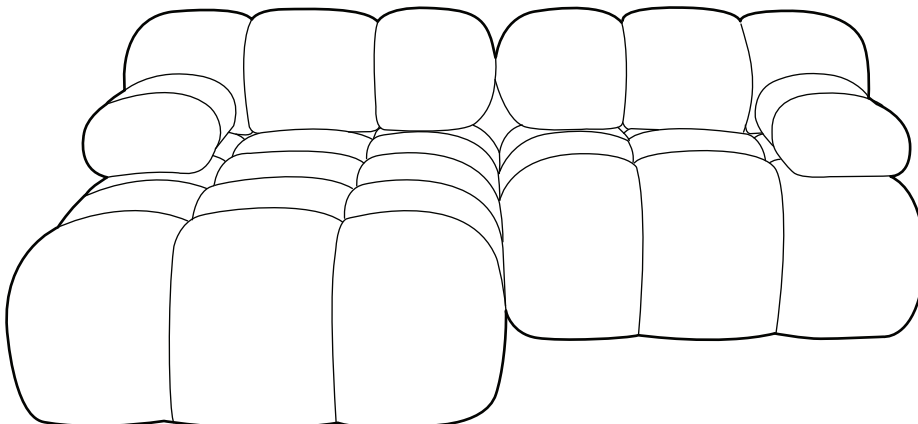
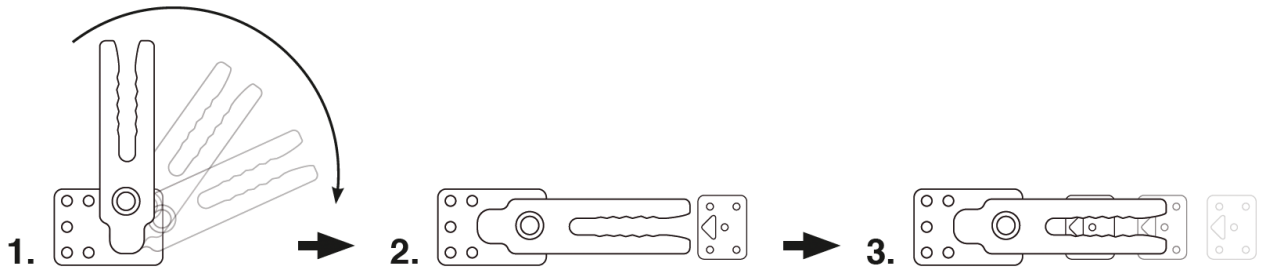
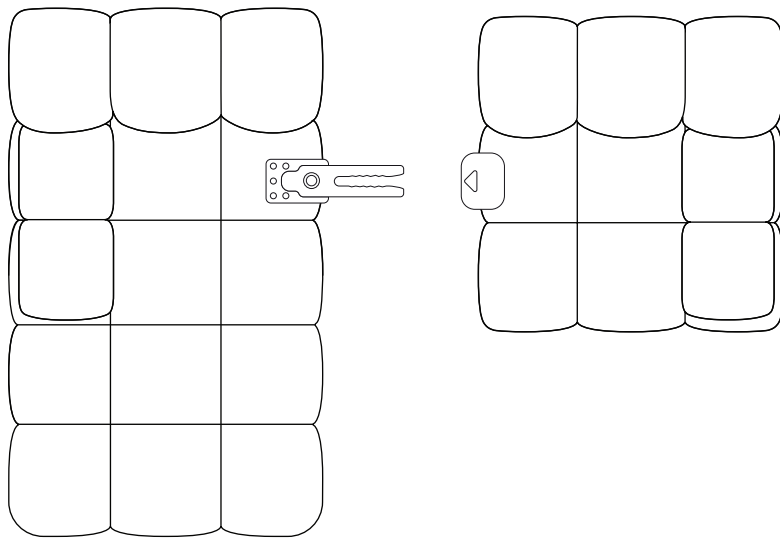
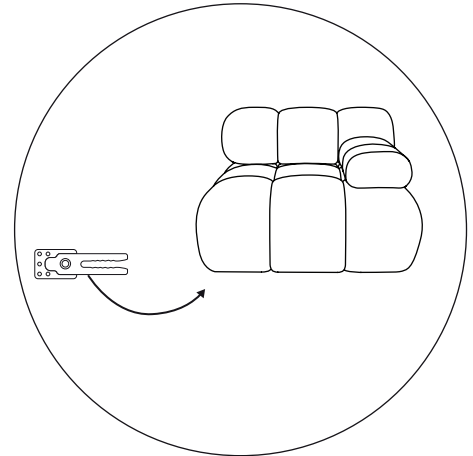
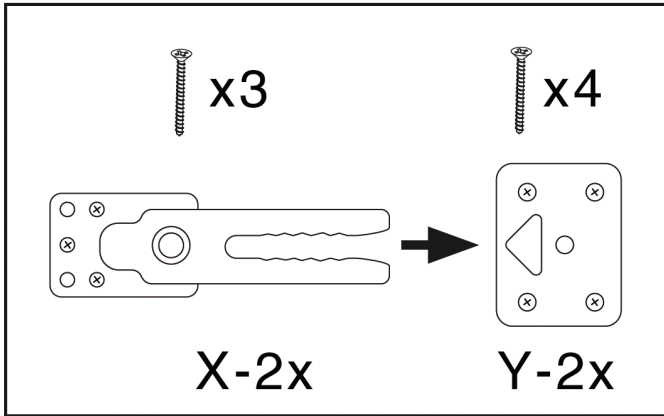
2: 2x A + B



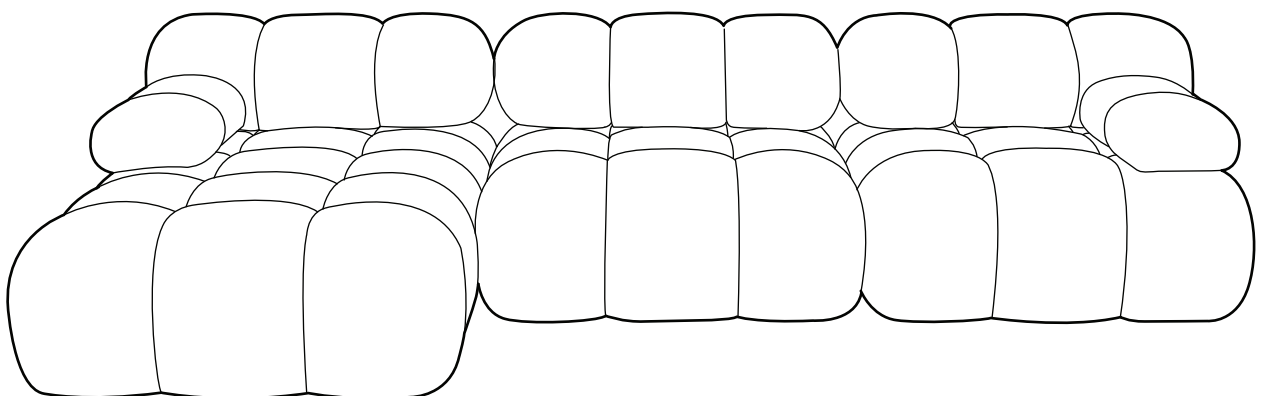
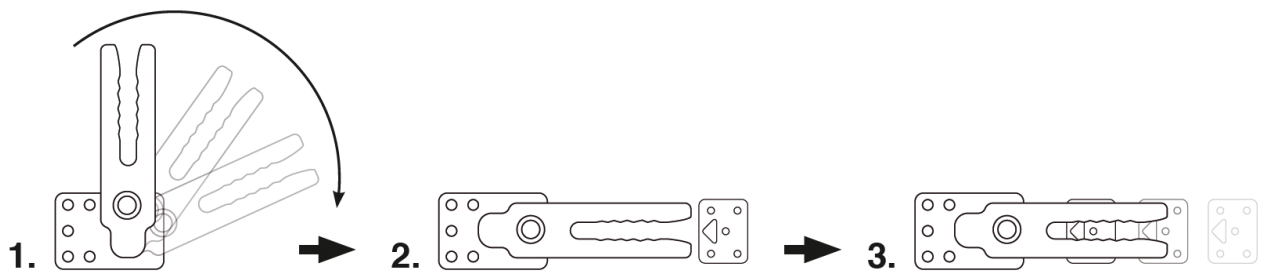
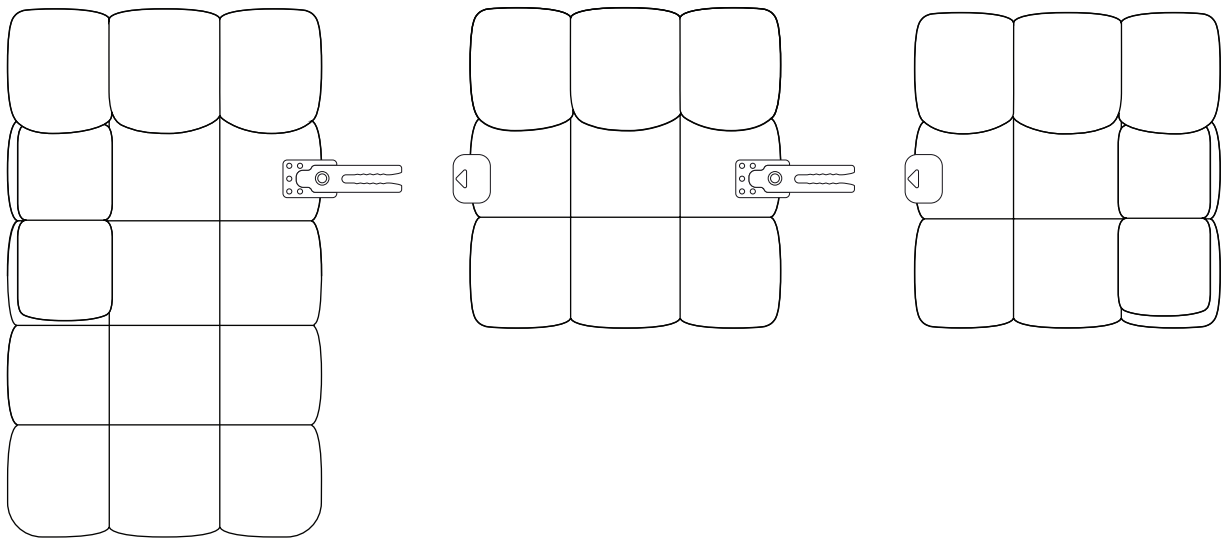
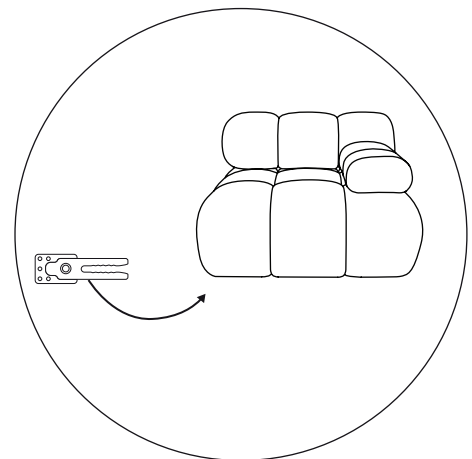
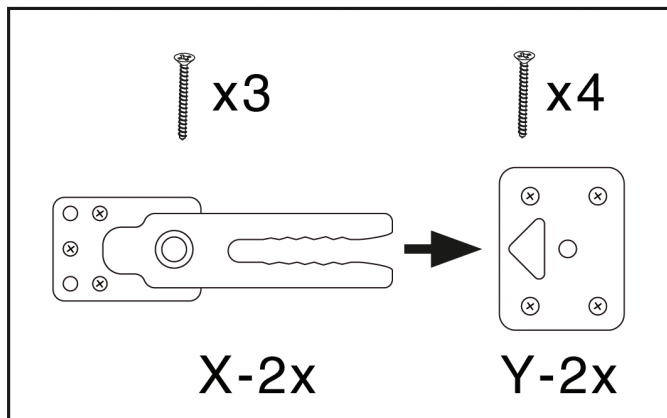
3: C + B + A



4: D + A



5: D + B + A



6: D + 2x B + C + 2x B

