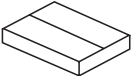

 5 min	 x 1	 x 1
--	--	--



A x 1

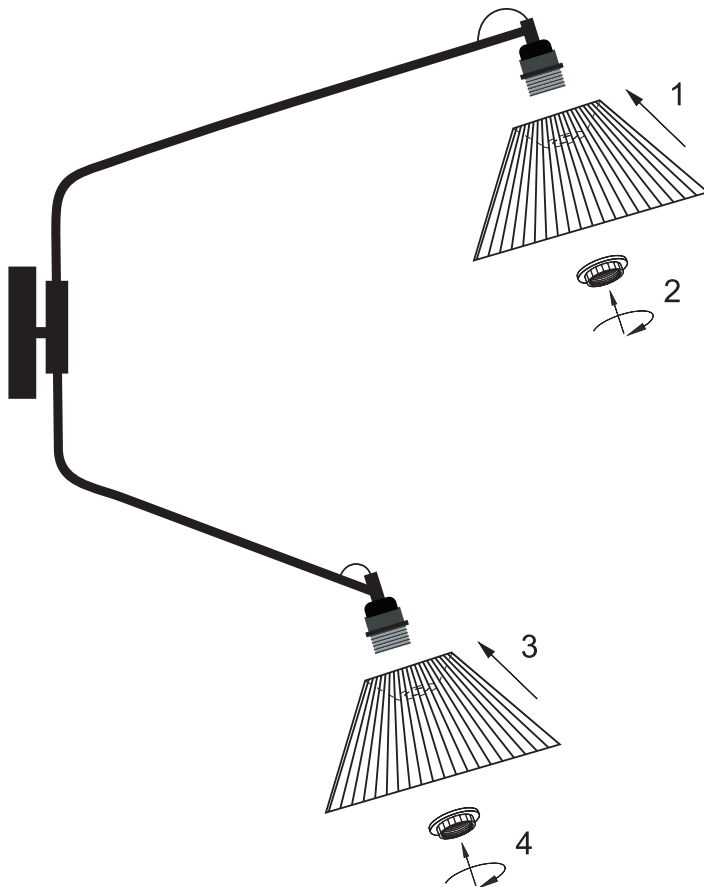


B x 2

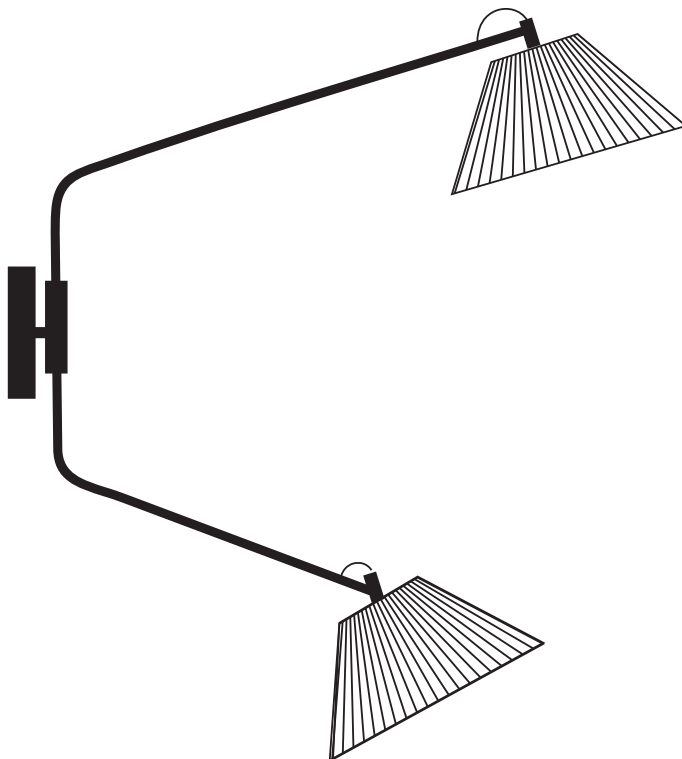


C x 2

4



5





THAT'S ALL FOLKS

Share your style!

#KaveHome

