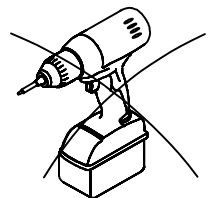
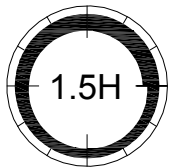
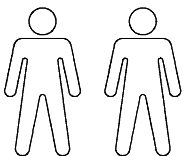
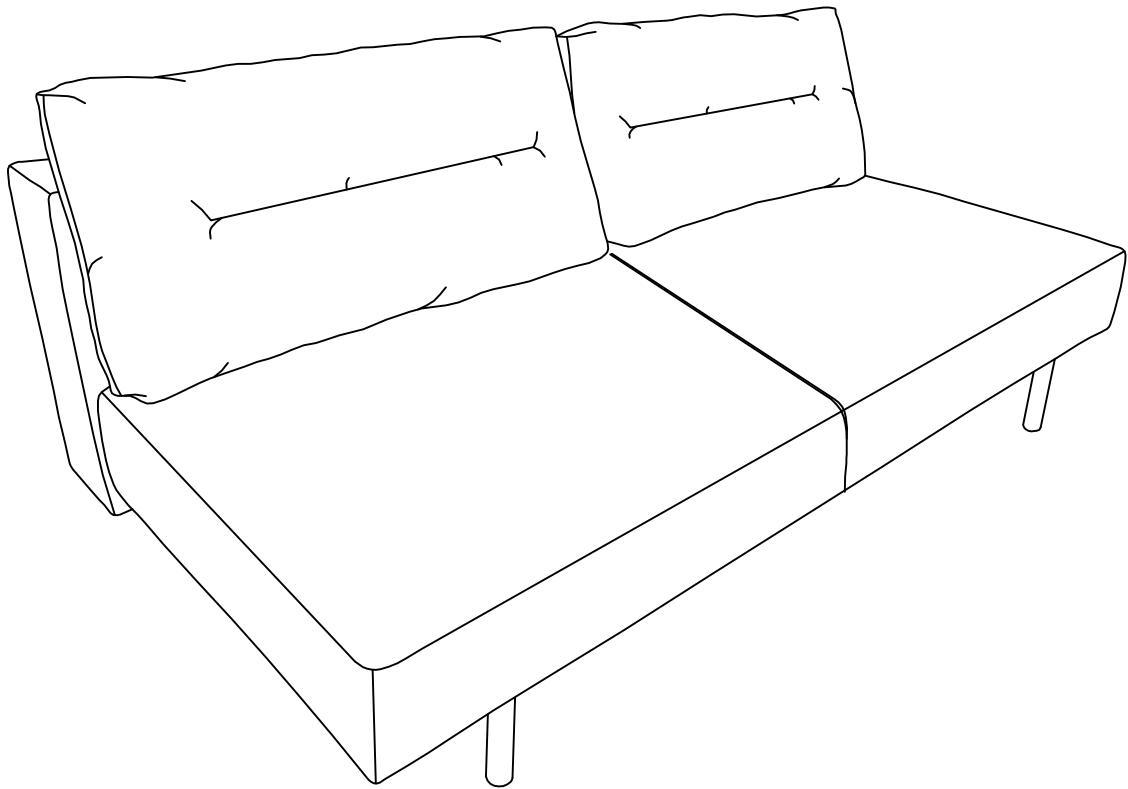
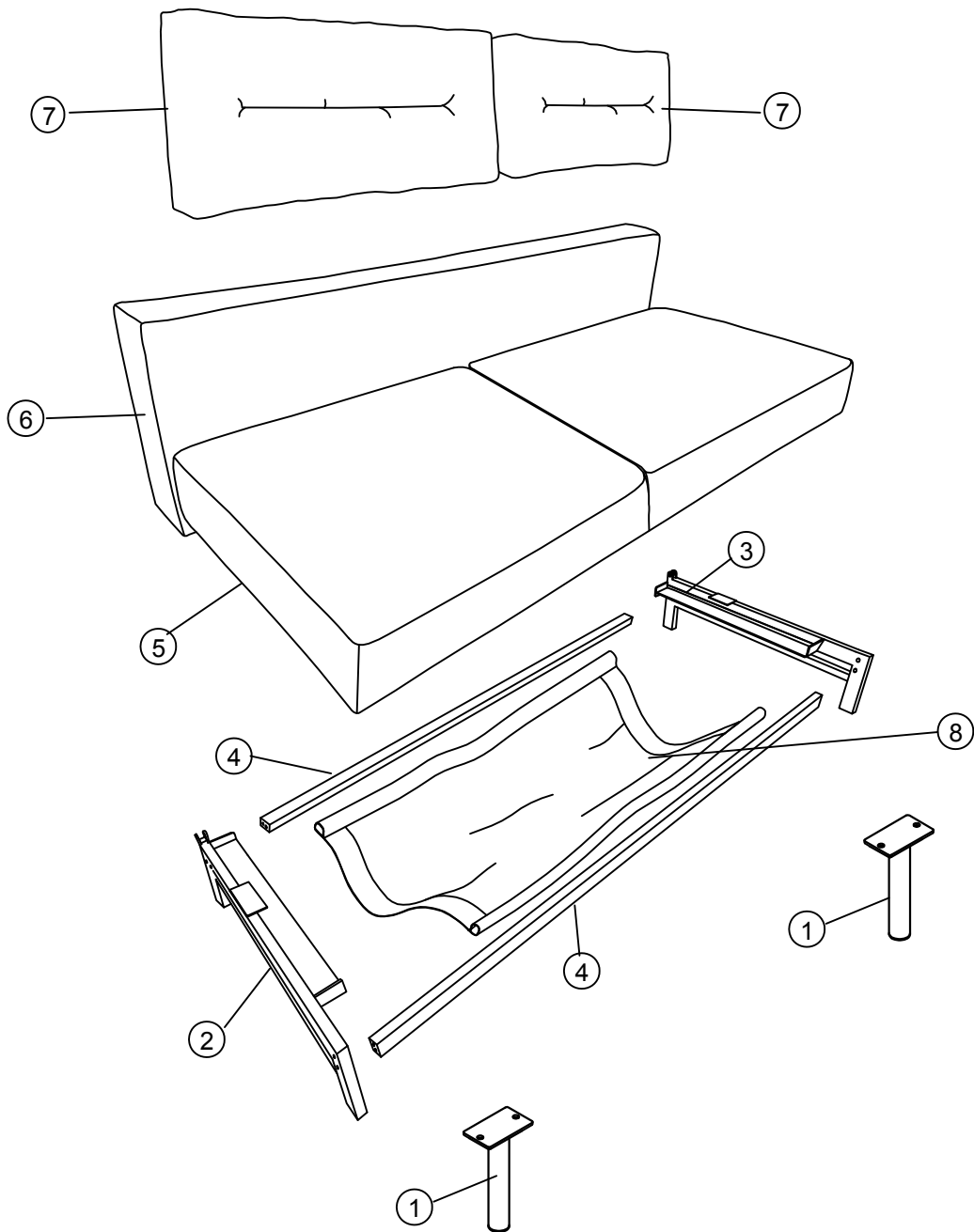


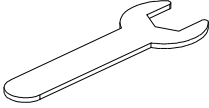

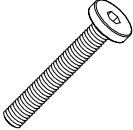
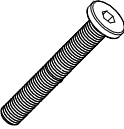
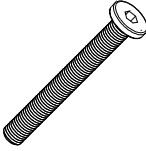
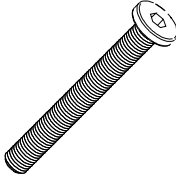


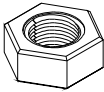
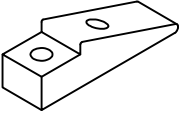




# MALLING

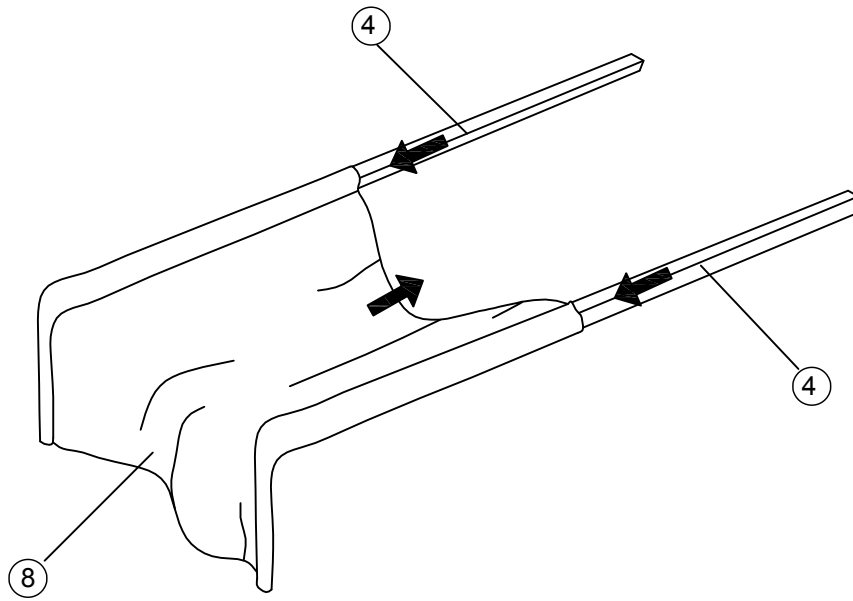


			✓
①	2	Ø40xH200	
②	1	695x75x200	
③	1	695x75x200	
④	2	1470x20x40	
⑤	1	2000x815x230	
⑥	1	2000x600x230	
⑦	2	950x430x180	
⑧	1	1310x800	

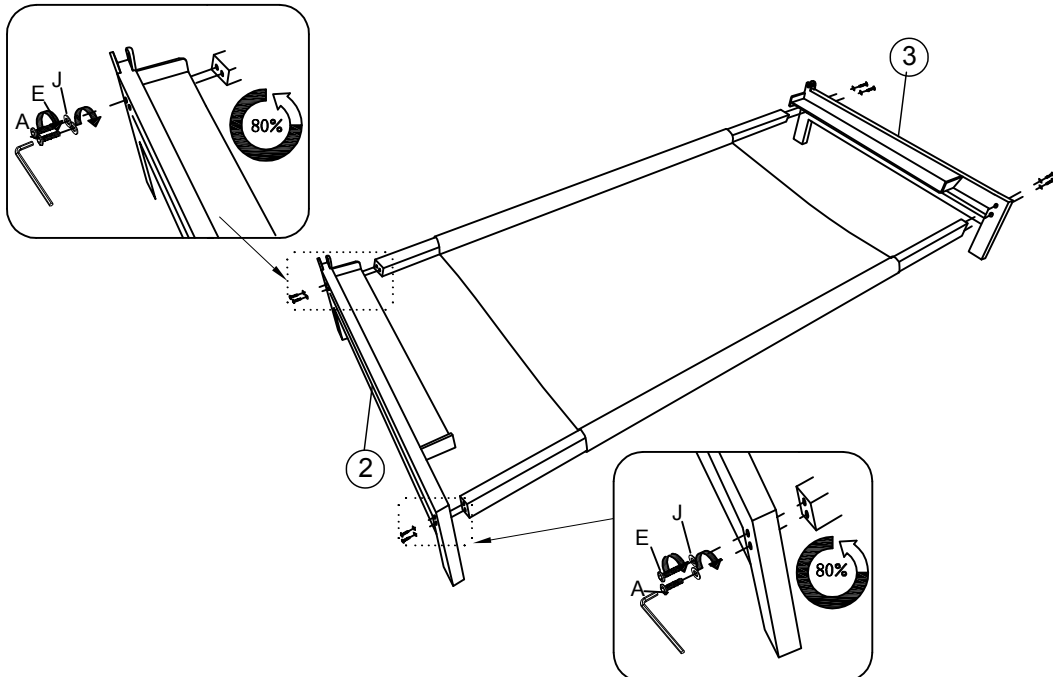
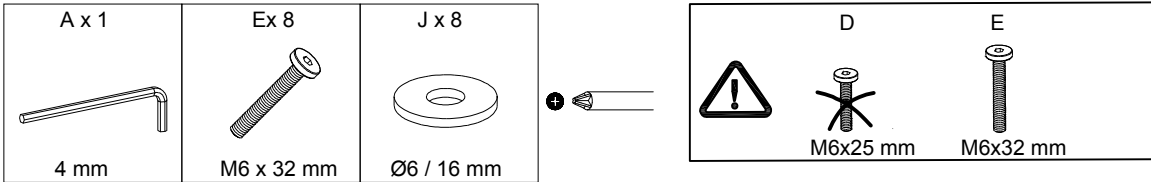


<p>A x 1</p>  <p>4 mm</p>	<p>B x 1</p>  <p>5 mm</p>	<p>C x 1</p>  <p>14 mm</p>	<p>D x 8</p>  <p>M6 x 25 mm</p>	<p>E x 8</p>  <p>M6 x 32 mm</p>
<p>F x 4</p>  <p>M8 x 30 mm</p>	<p>G x 2</p>  <p>M8 x 35 mm</p>	<p>H x 2</p>  <p>M8 x 75 mm</p>	<p>J x 8</p>  <p>Ø6 / 16 mm</p>	<p>K x 4</p>  <p>Ø8 / 17 mm</p>
<p>L x 2</p>  <p>M8 / 14 mm</p>	<p>M x 2</p>  <p>105 / 30 / 28 mm</p>	<p>N x 2</p>  <p>Ø25 / 40 mm</p>	<p>P x 2</p>  <p>115 / 30 / 45 mm</p>	





# 1







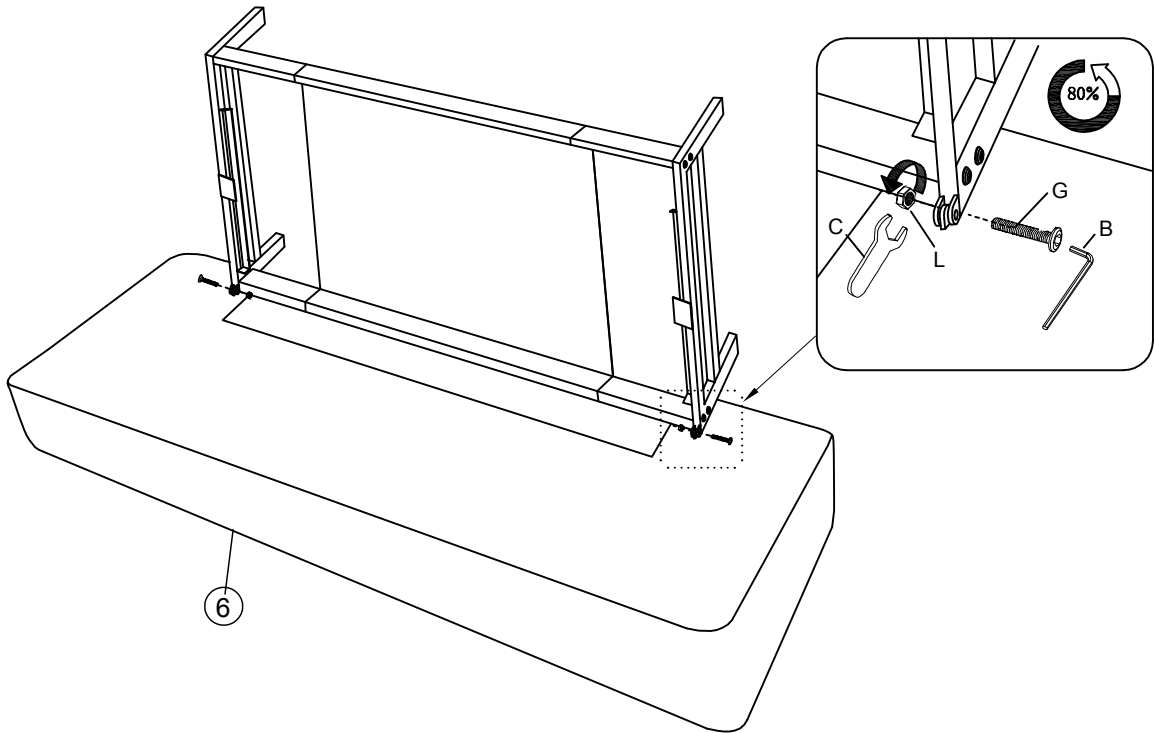
# 2



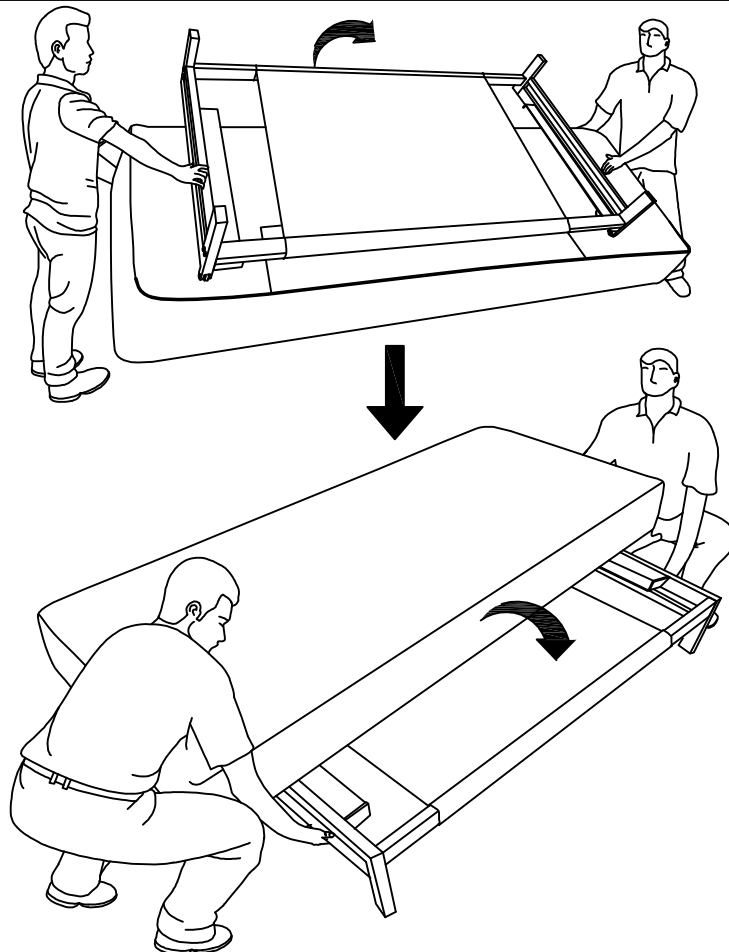
# 3

B x 1  5 mm	C x 1  14 mm	G x 2  M8x35 mm	L x 2  M8/14 mm
--	---	--	--

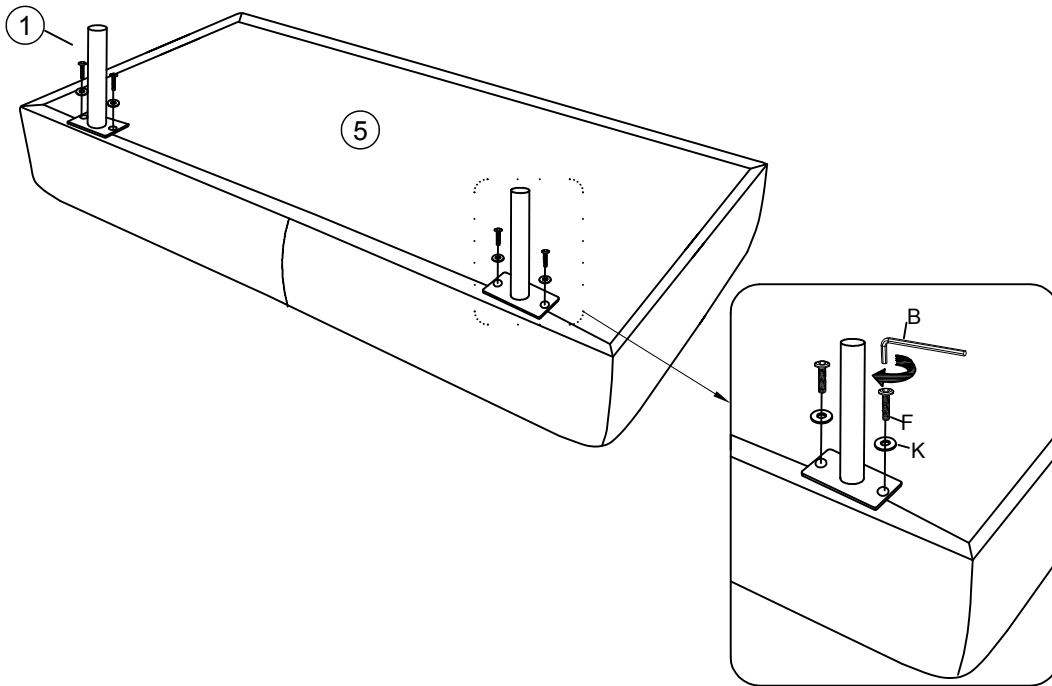
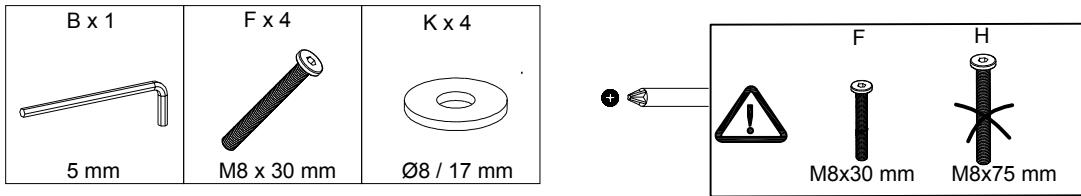
	F  M8x30 mm	G  M8x35 mm	H  M8x75 mm
---	--	--	--



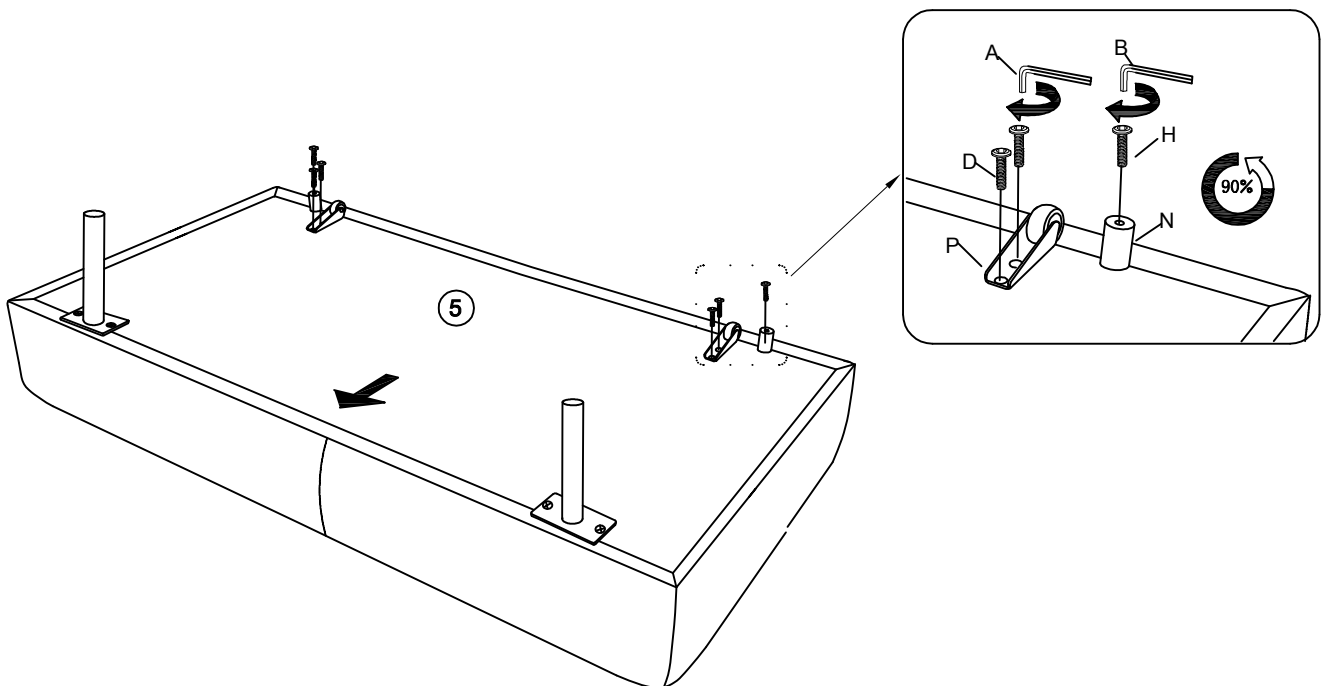
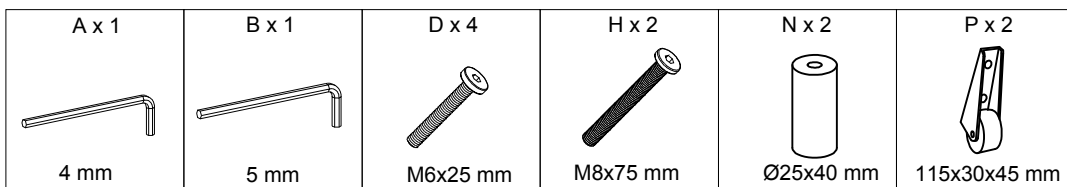
# 4





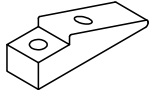
# 5

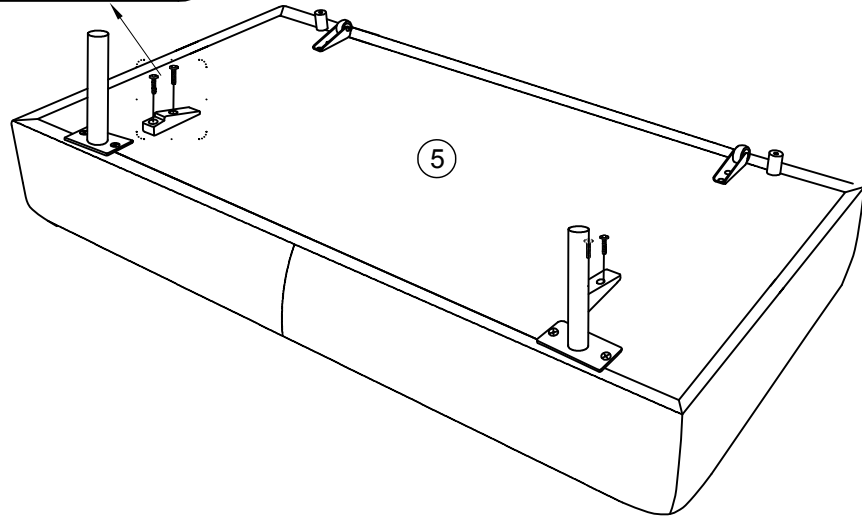
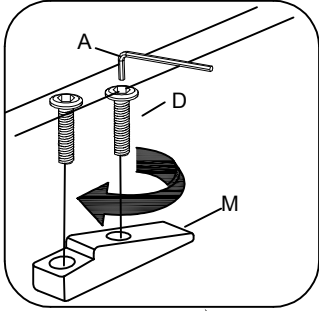


# 6

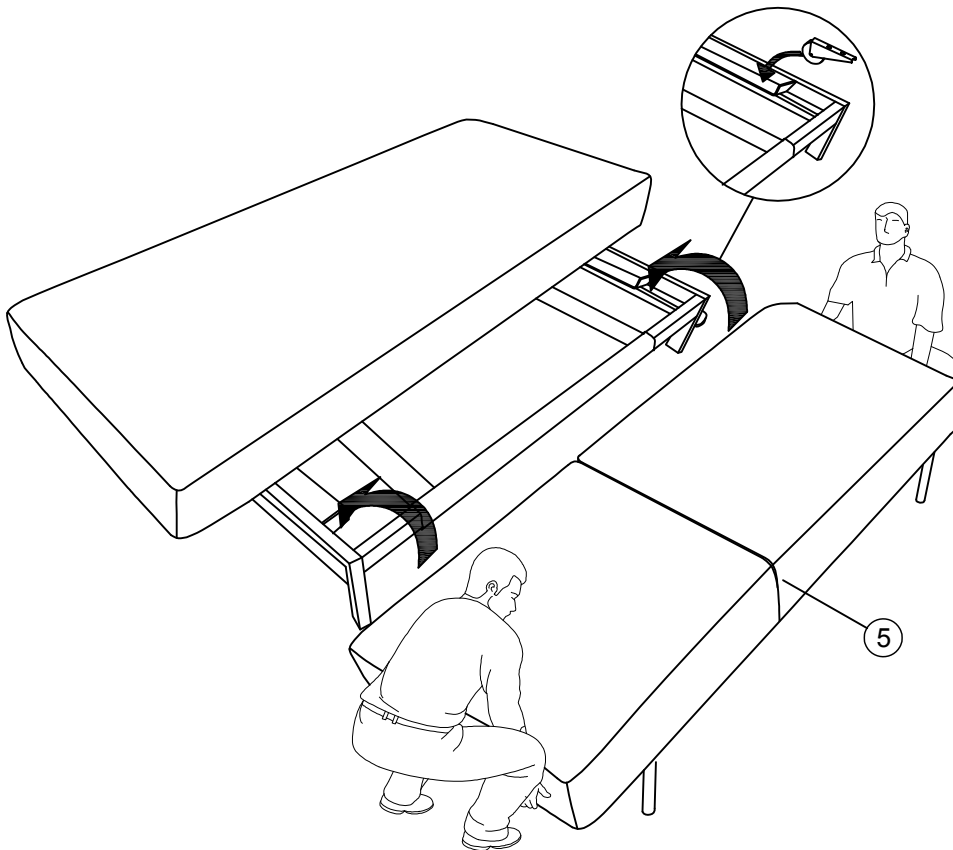


# 7

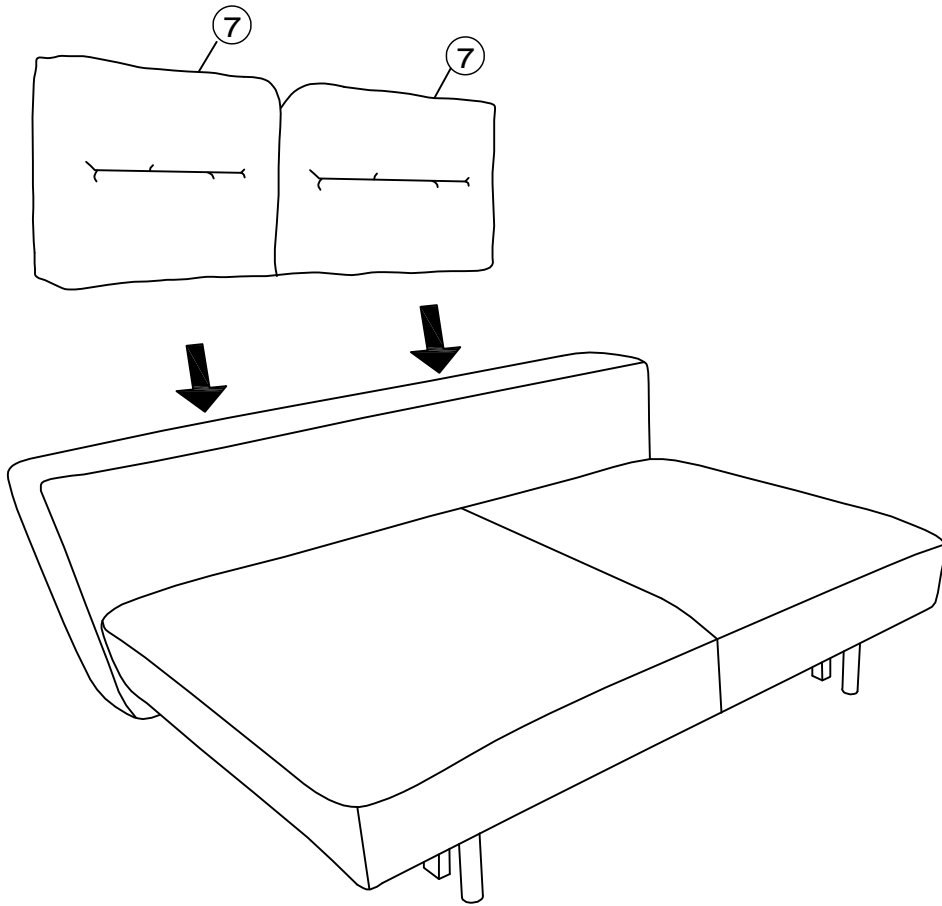
A x 1  4 mm	D x 4  M6 x 25 mm	M x 2  105x30x23 mm
--	--	--



# 8

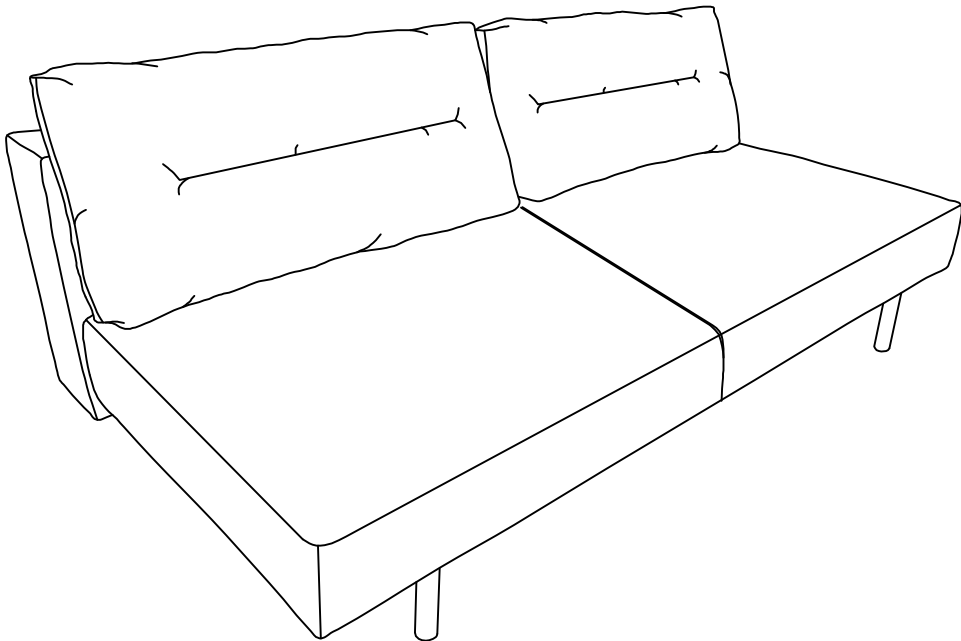


9



---

10





11

