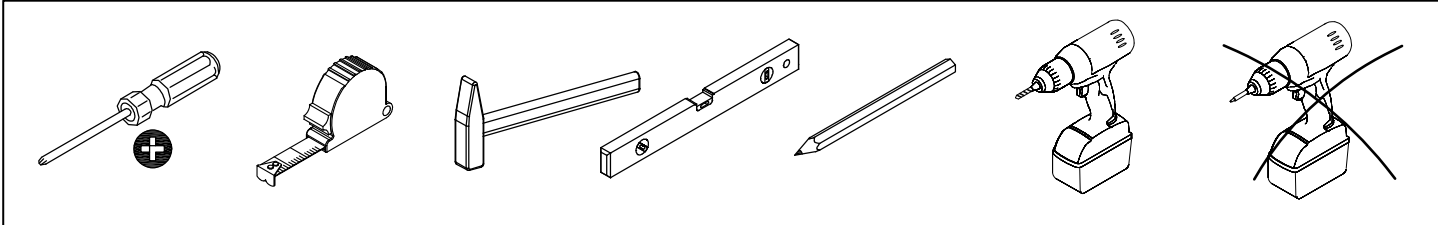
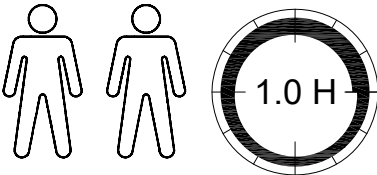
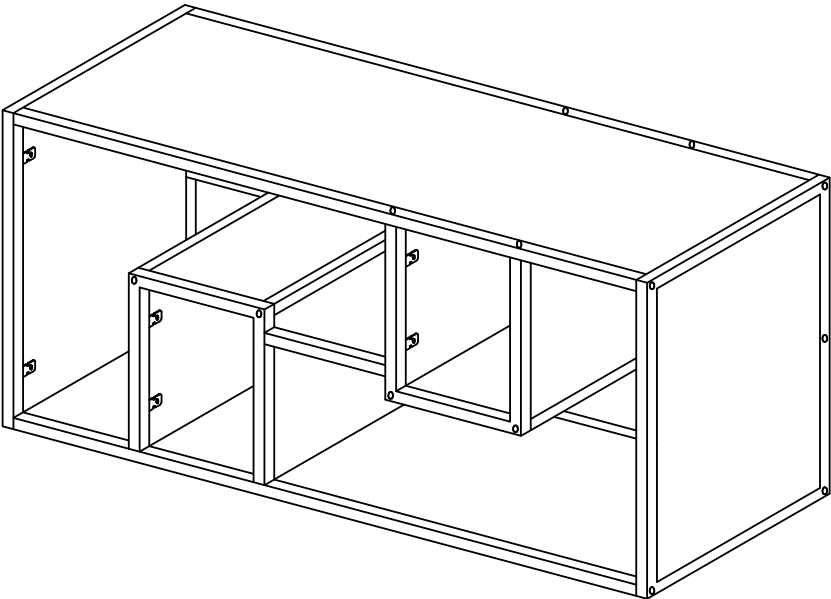
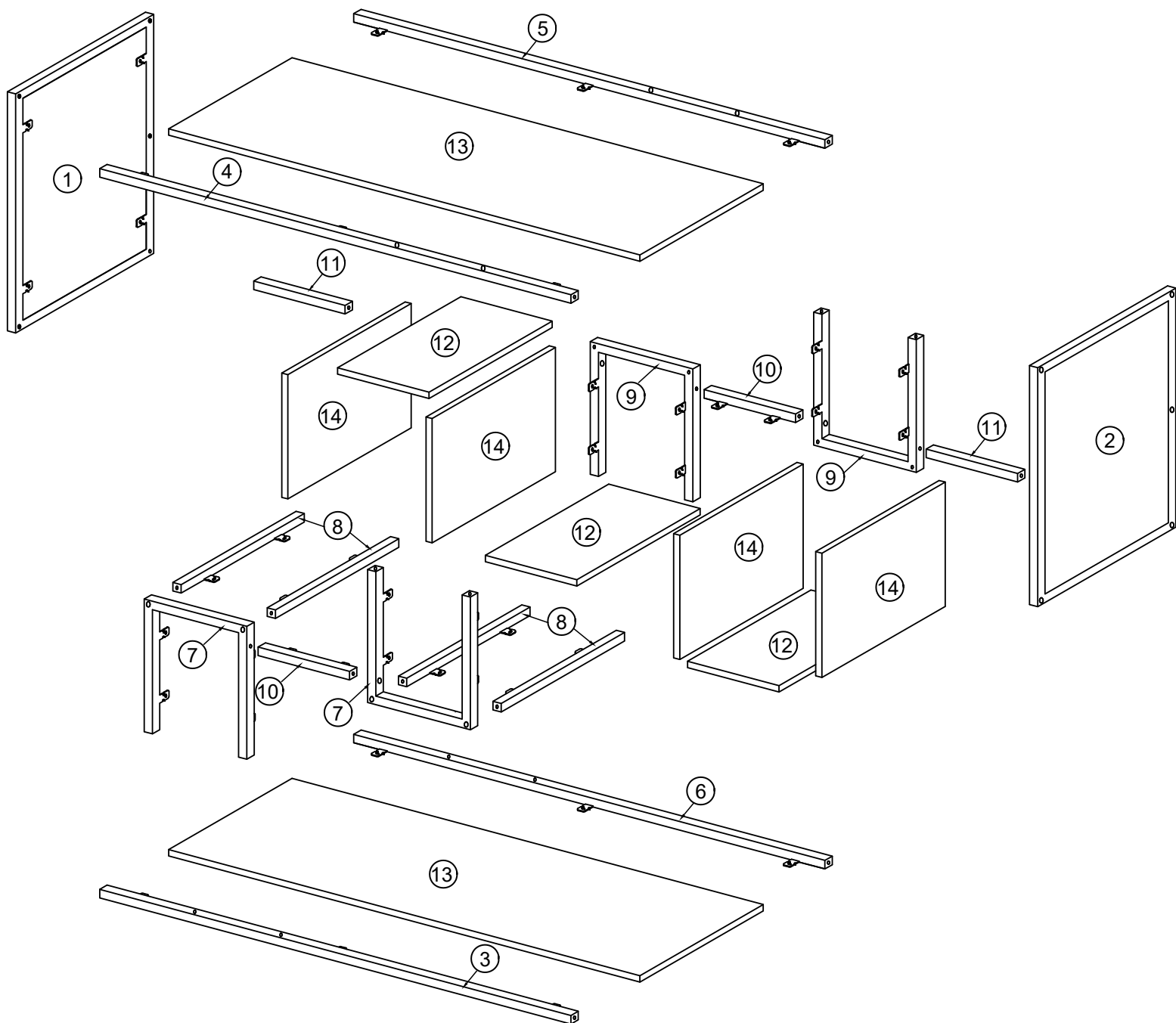


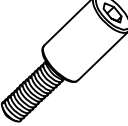


SEAFORD



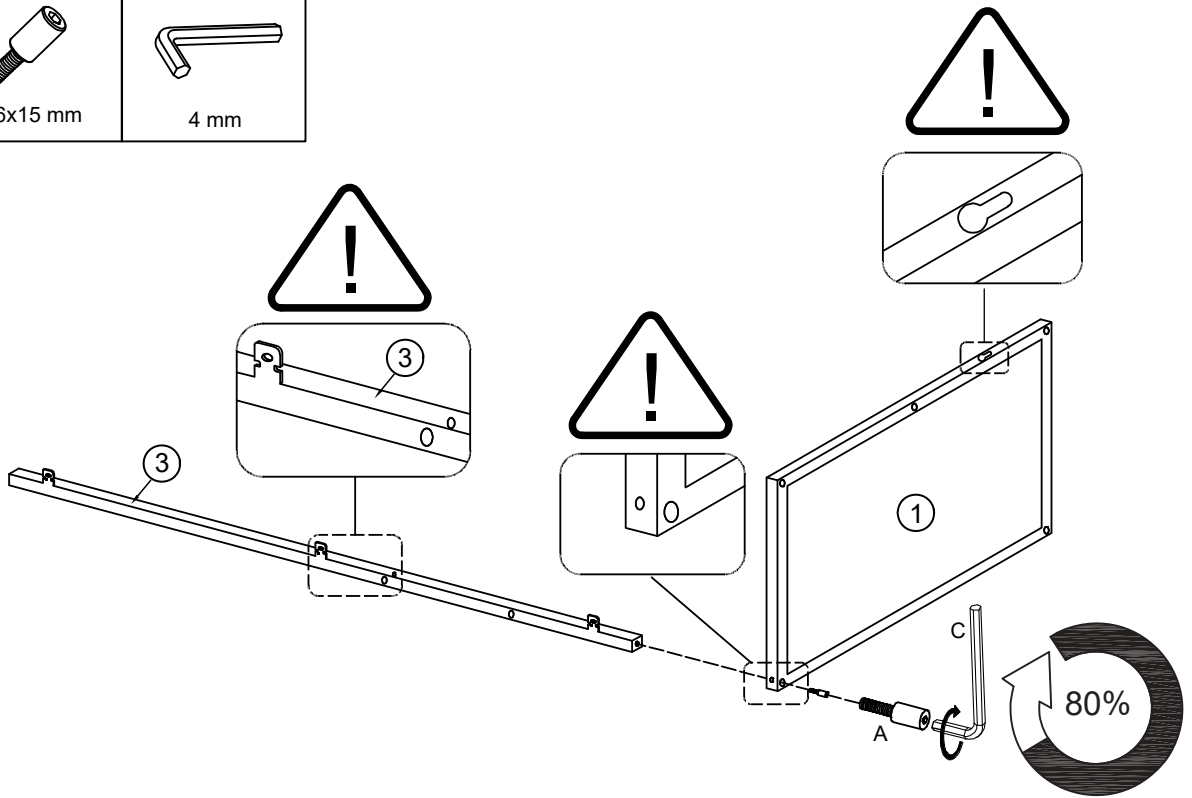
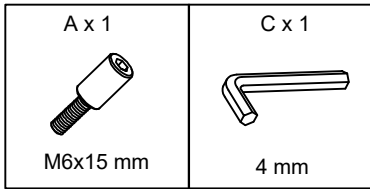
			✓
①	1	450x300x16mm	
②	1	450x300x16mm	
③	1	918x36x16mm	
④	1	918x36x16mm	
⑤	1	918x36x16mm	
⑥	1	918x36x16mm	
⑦	2	250x202x36/16mm	

			✓
⑧	4	268x36x16mm	
⑨	2	250x202x36/16mm	
⑩	2	170x36x16mm	
⑪	2	170x16x16mm	
⑫	3	267x169x12mm	
⑬	2	917x267x12mm	
⑭	4	236x267x12mm	

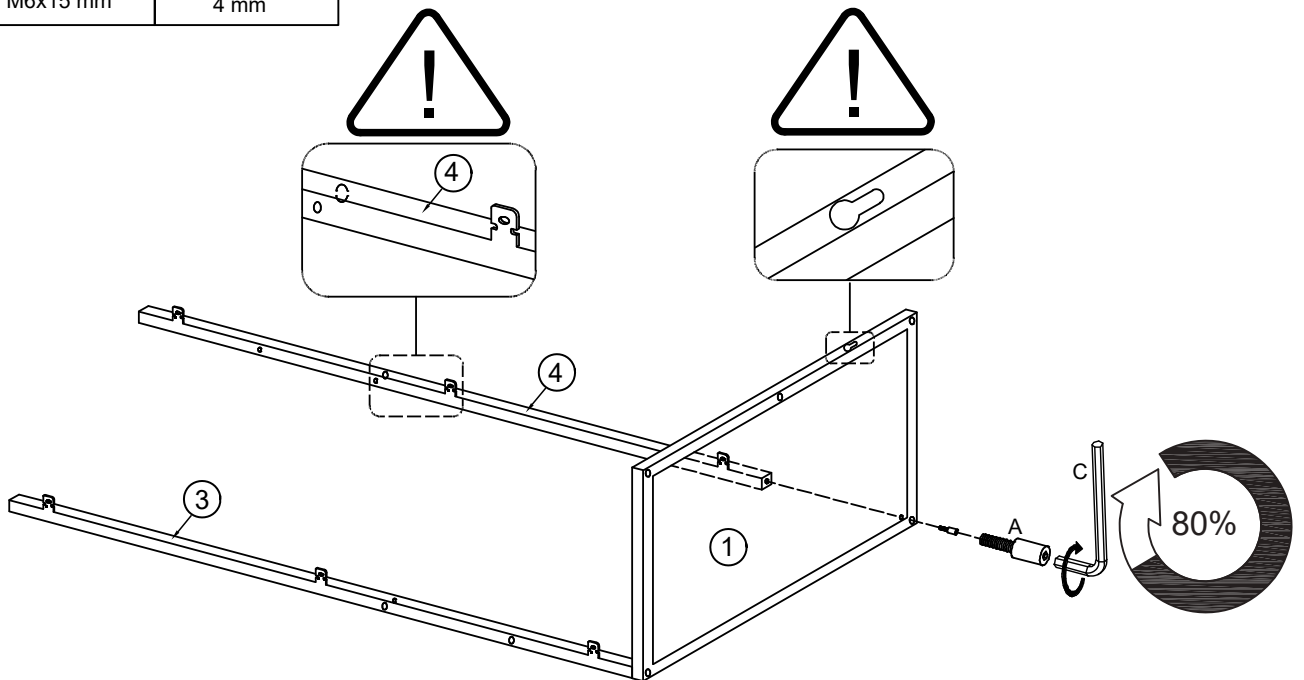
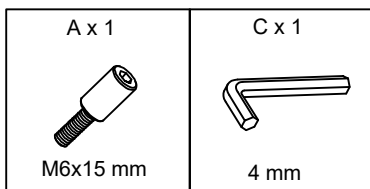


<p>A x 32</p>  <p>M6x15 mm</p>	<p>B x 40</p>  <p>Ø4x12 mm</p>	<p>C x 1</p>  <p>4 mm</p>
---	---	--

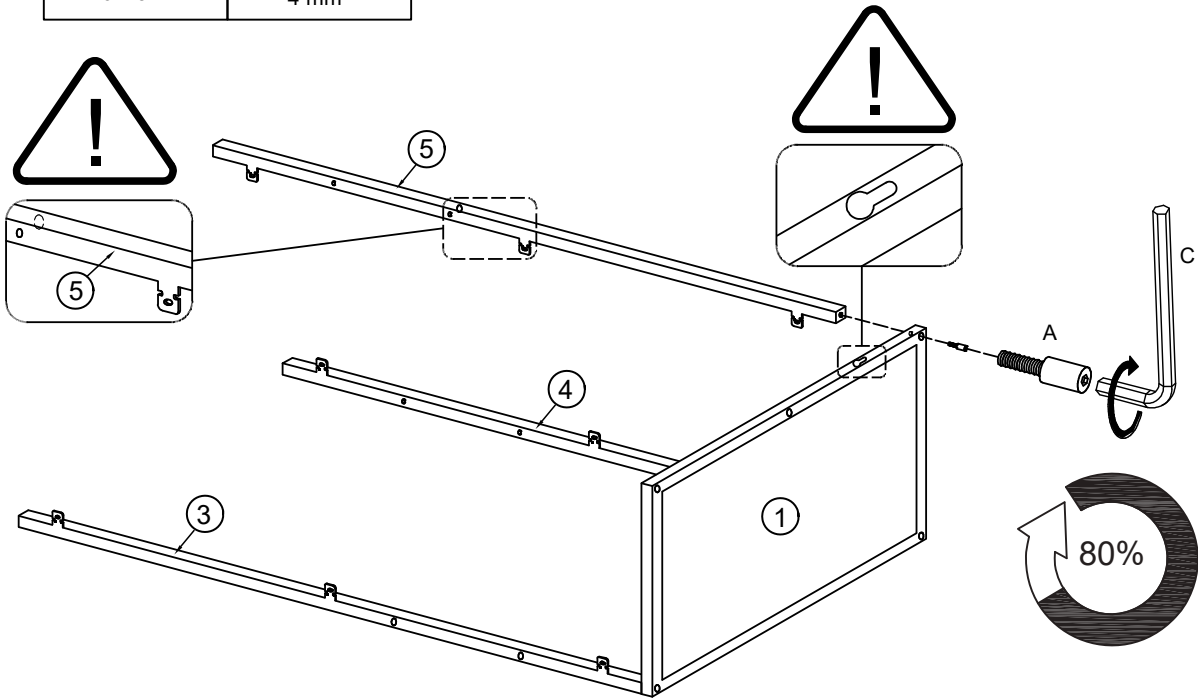
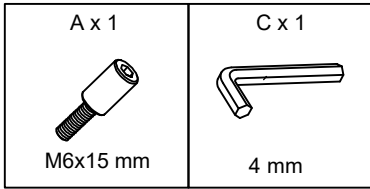
1



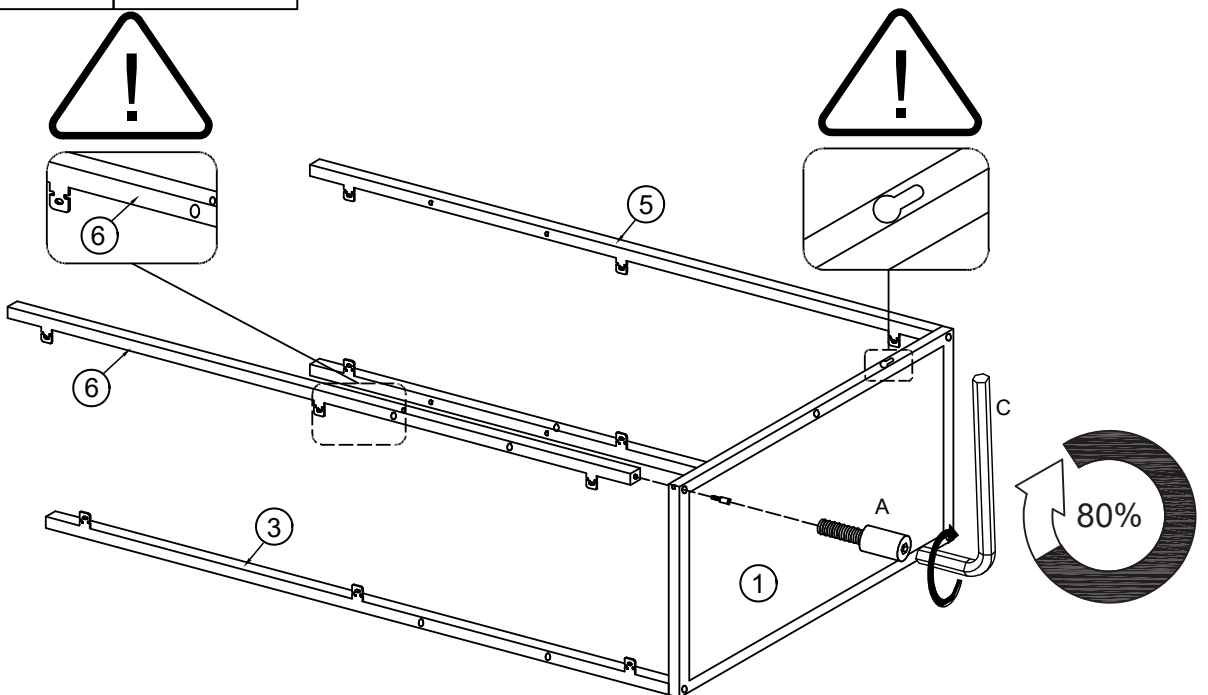
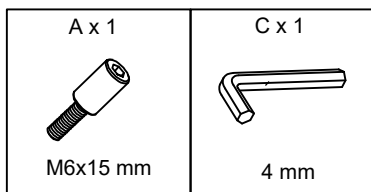
2





3

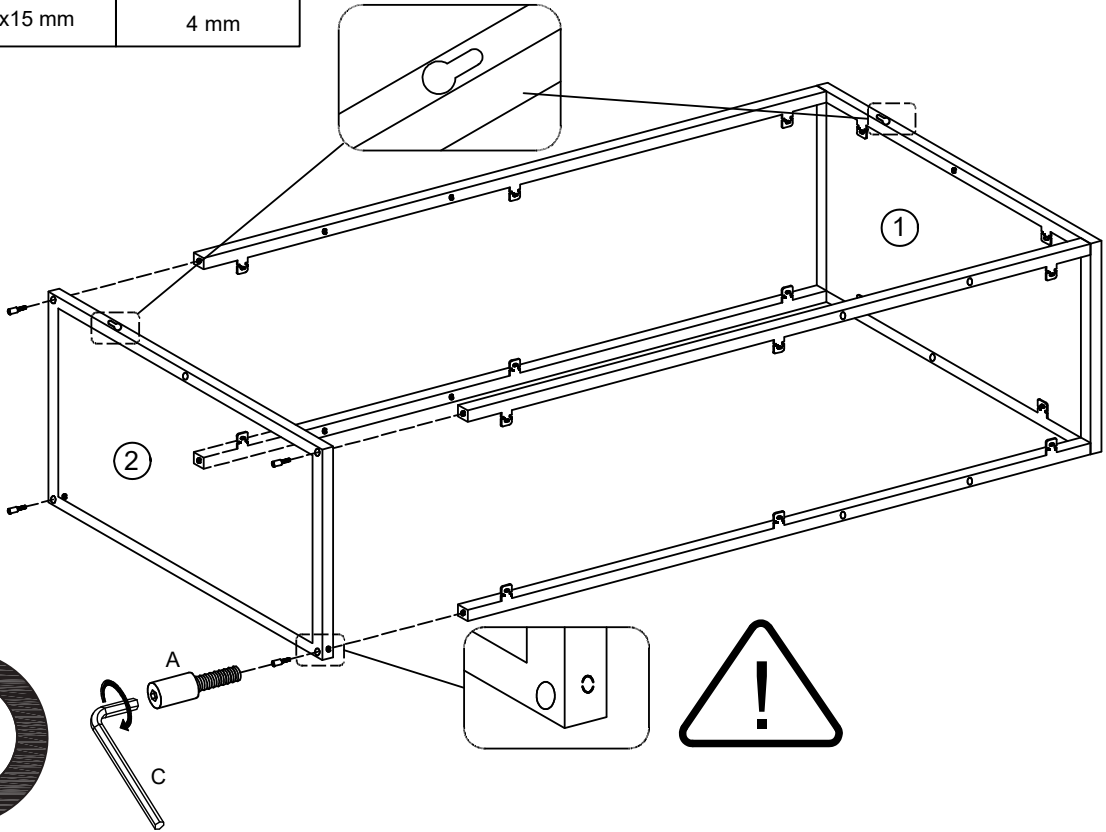


4





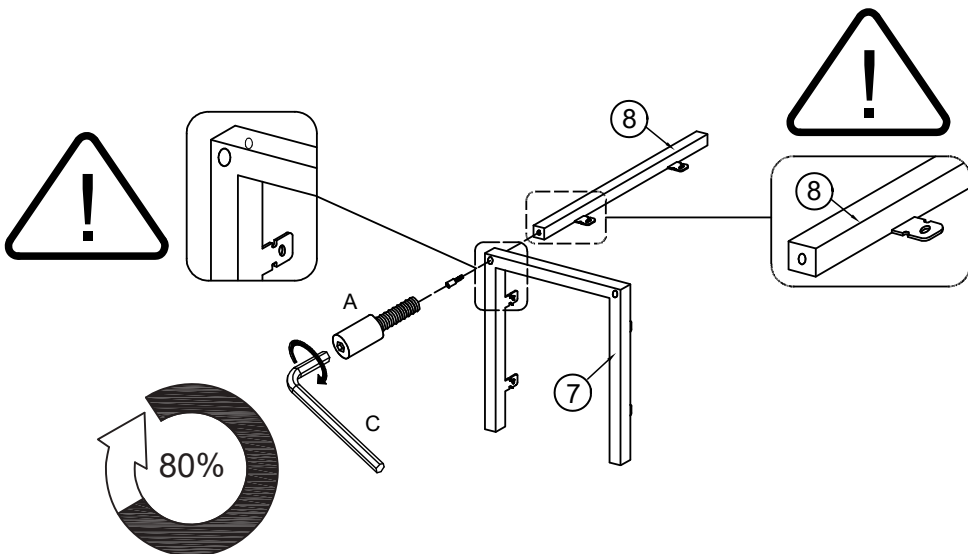
5

A x 4  M6x15 mm	C x 1  4 mm
--	--





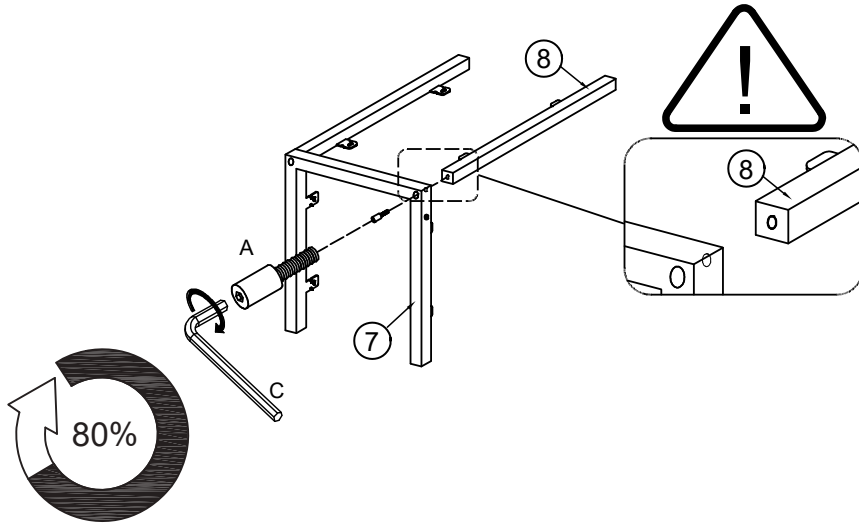
6

A x 1  M6x15 mm	C x 1  4 mm
--	--





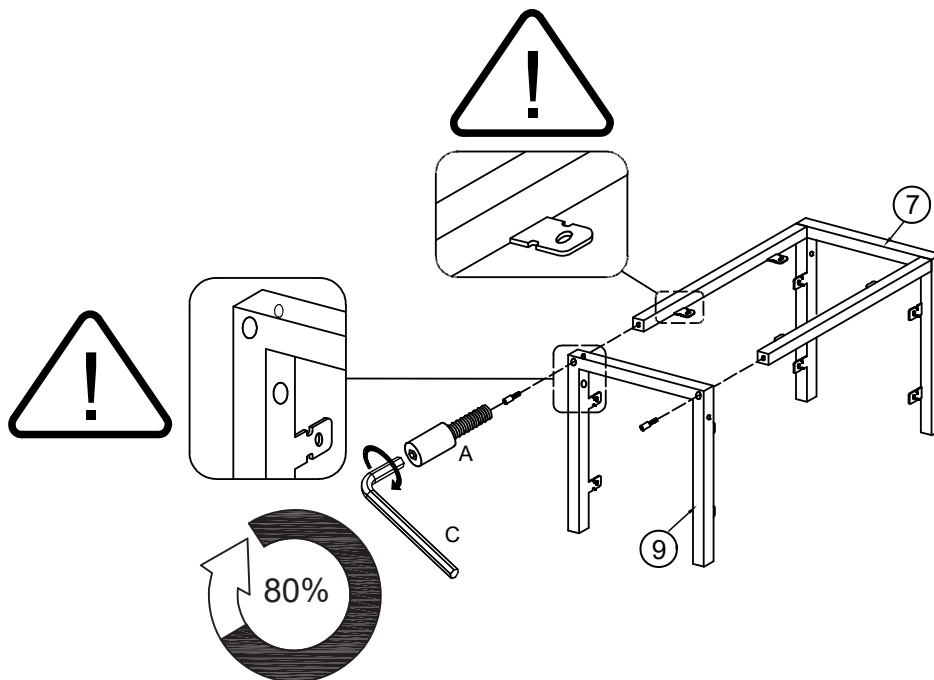
7

A x 1  M6x15 mm	C x 1  4 mm
--	--

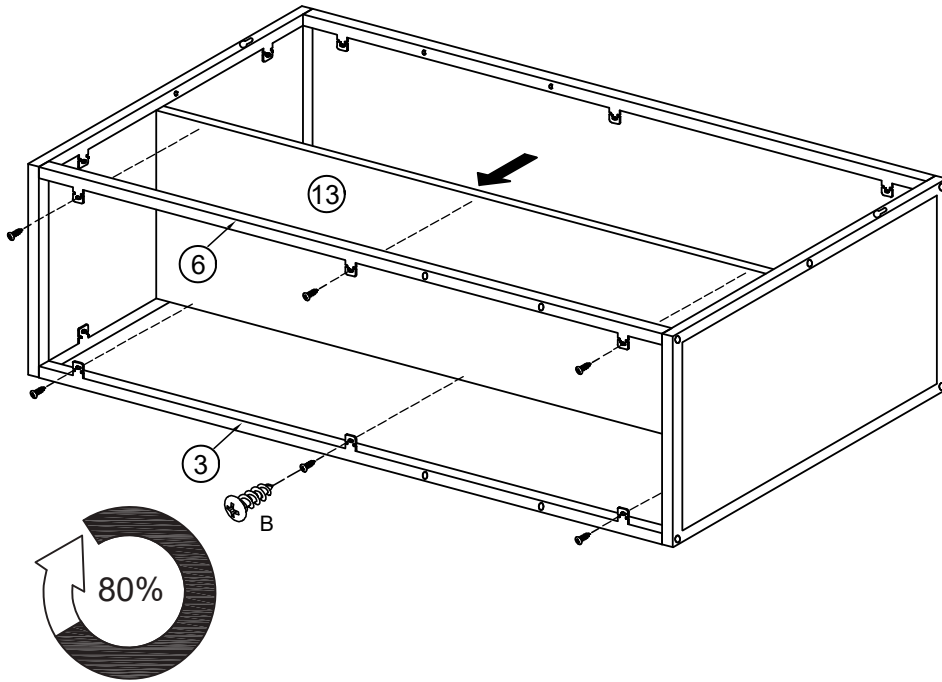
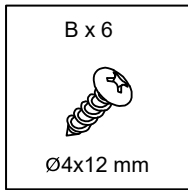


8

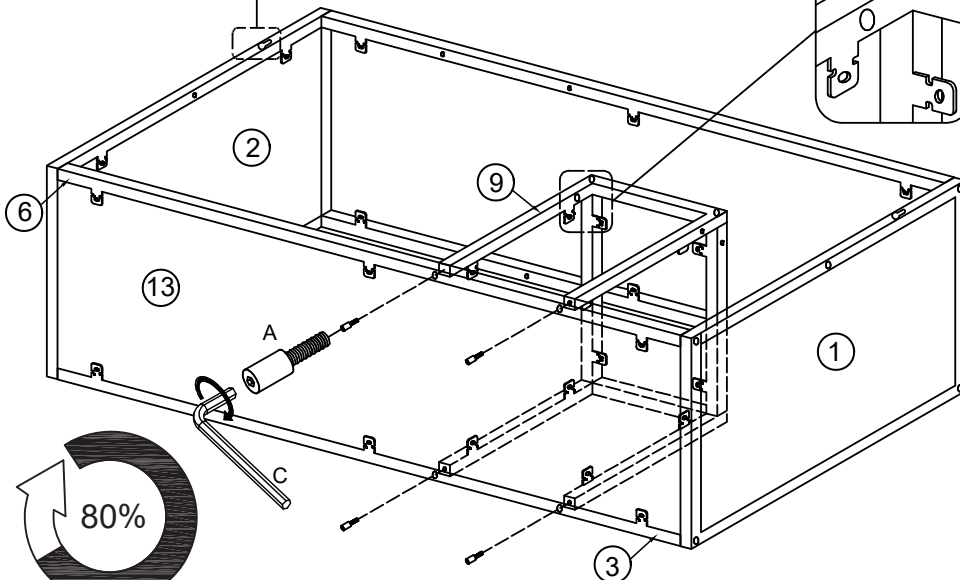
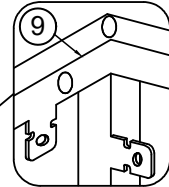
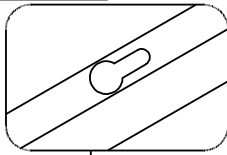
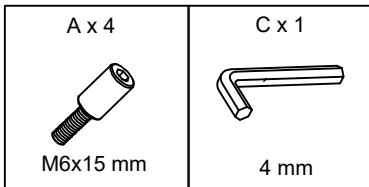
A x 2  M6x15 mm	C x 1  4 mm
--	--



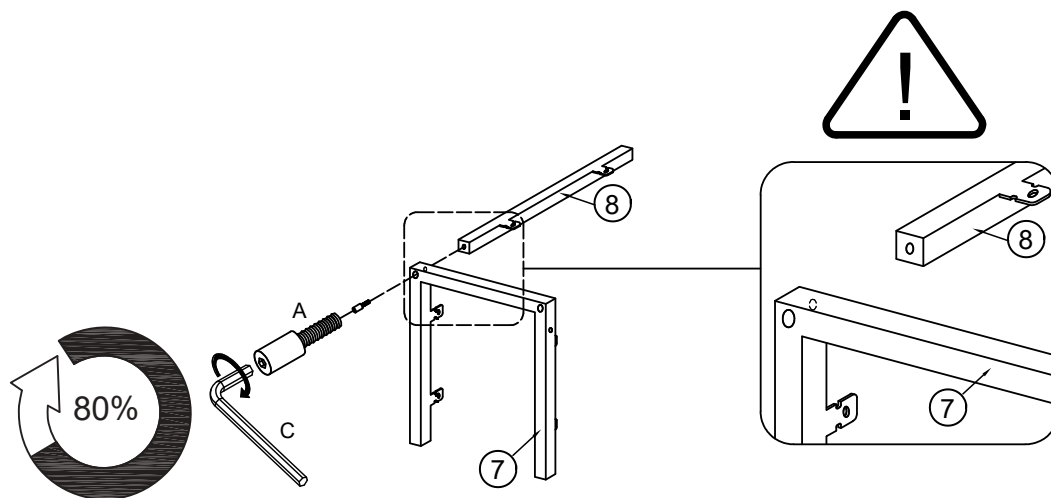
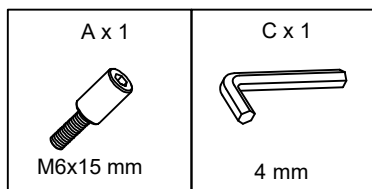
9



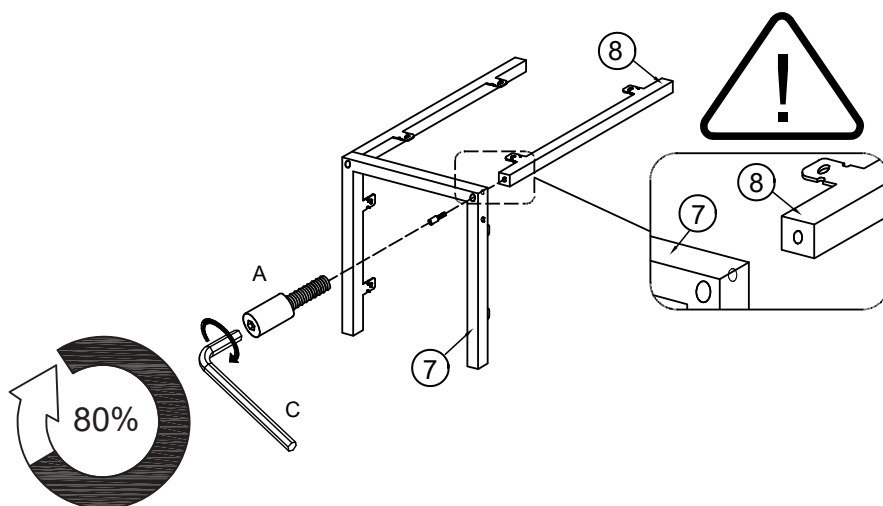
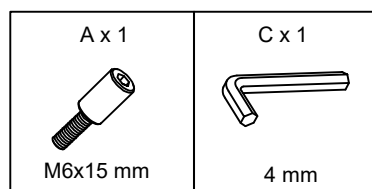
10



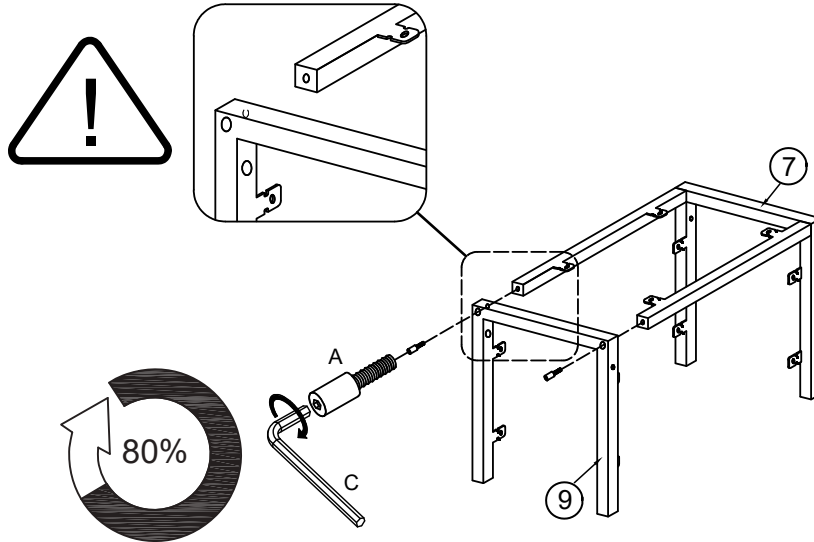
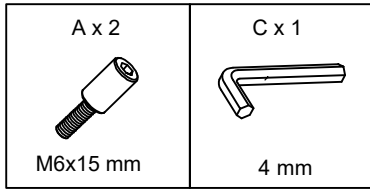
11



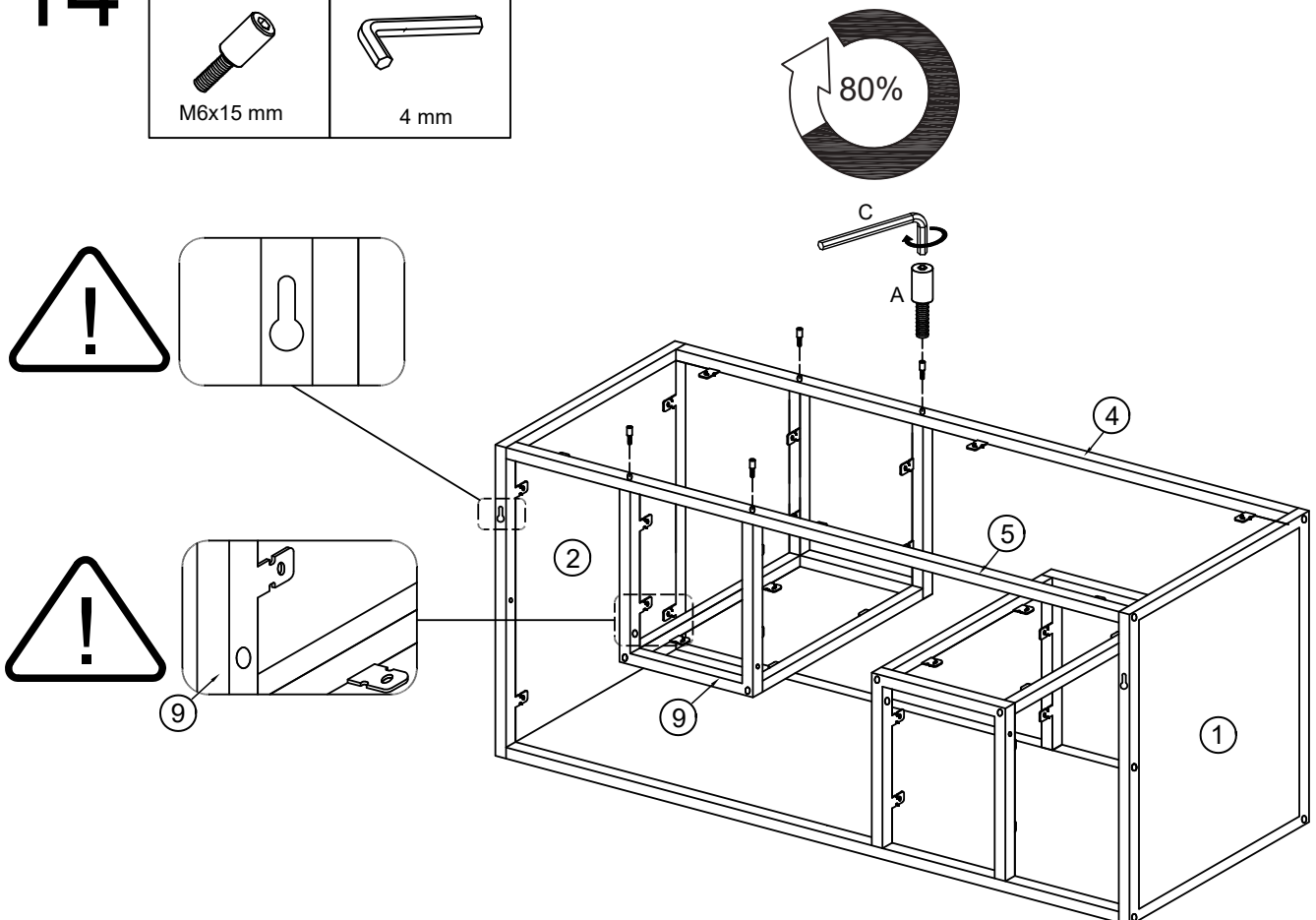
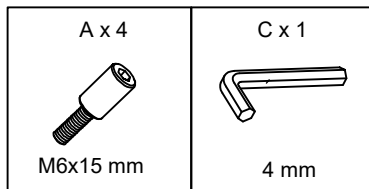
12



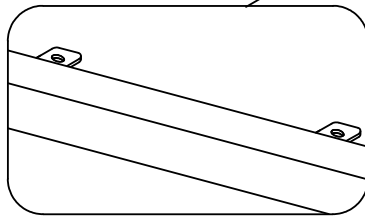
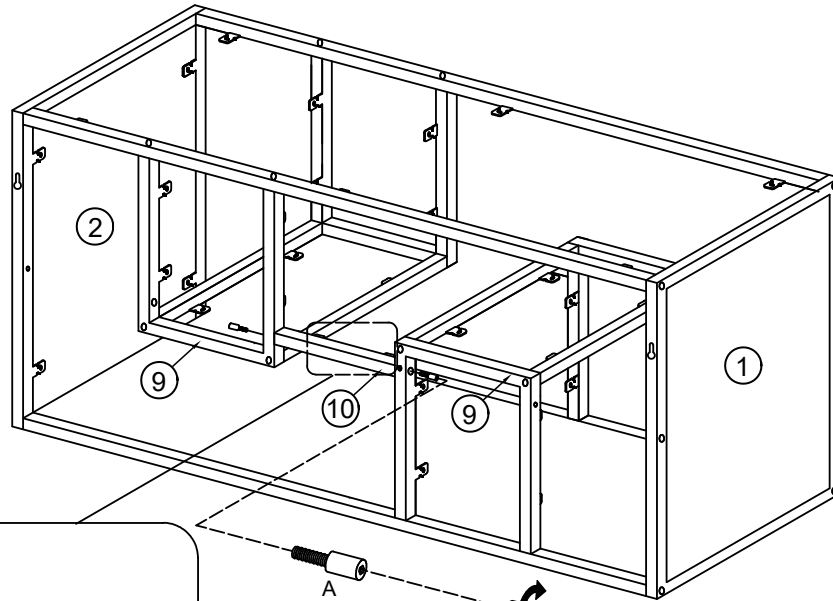
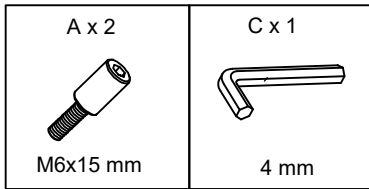
13



14



15

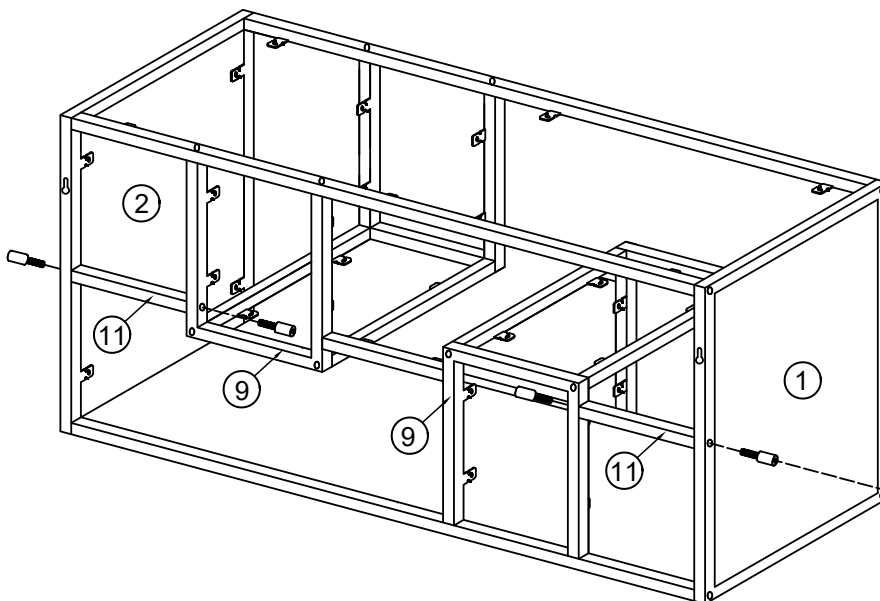
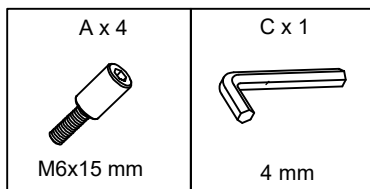


A

C

80%

16

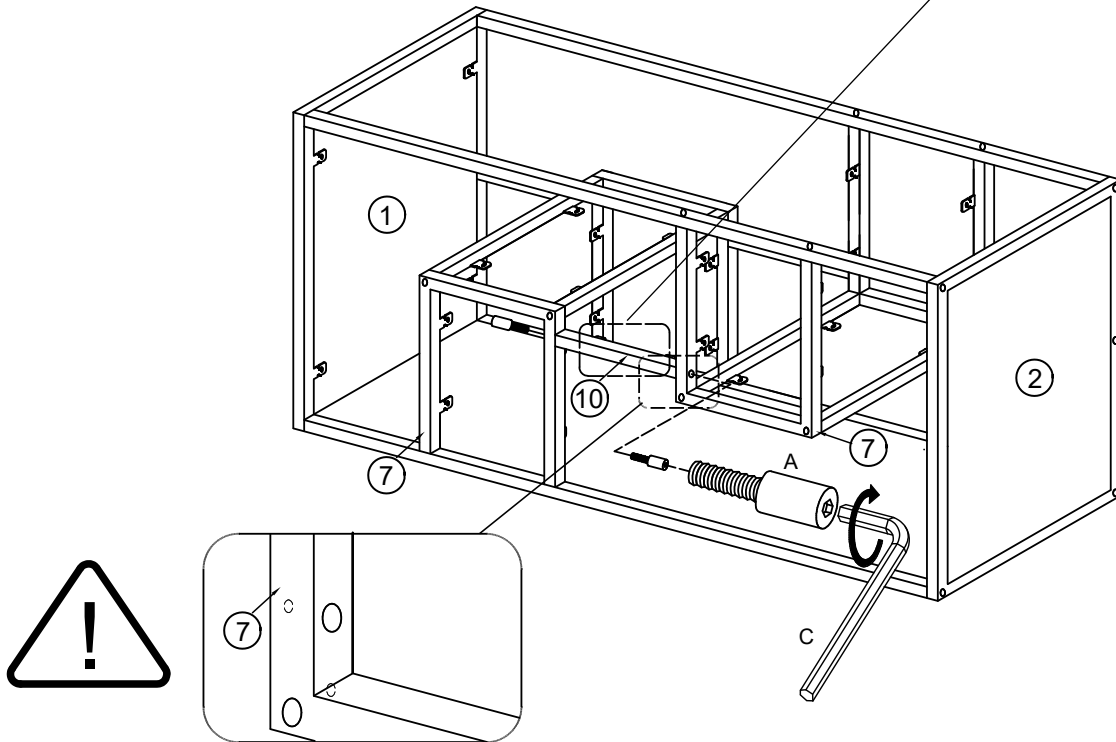
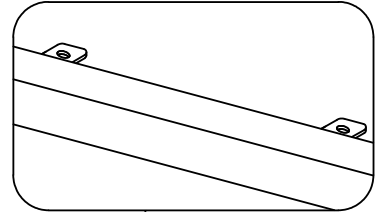
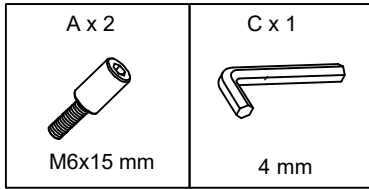


A

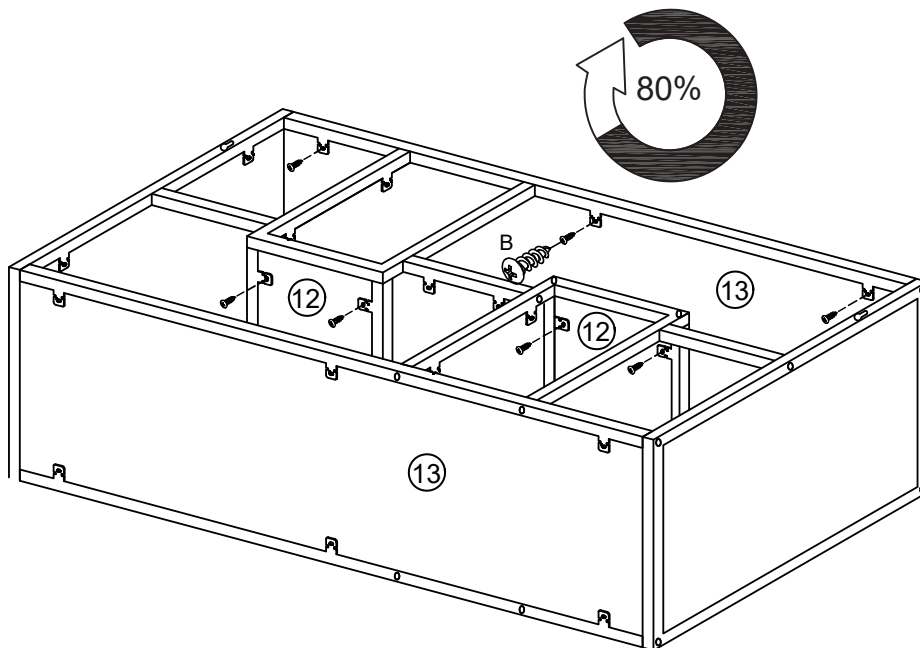
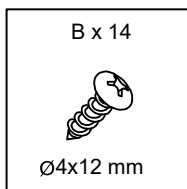
C

80%

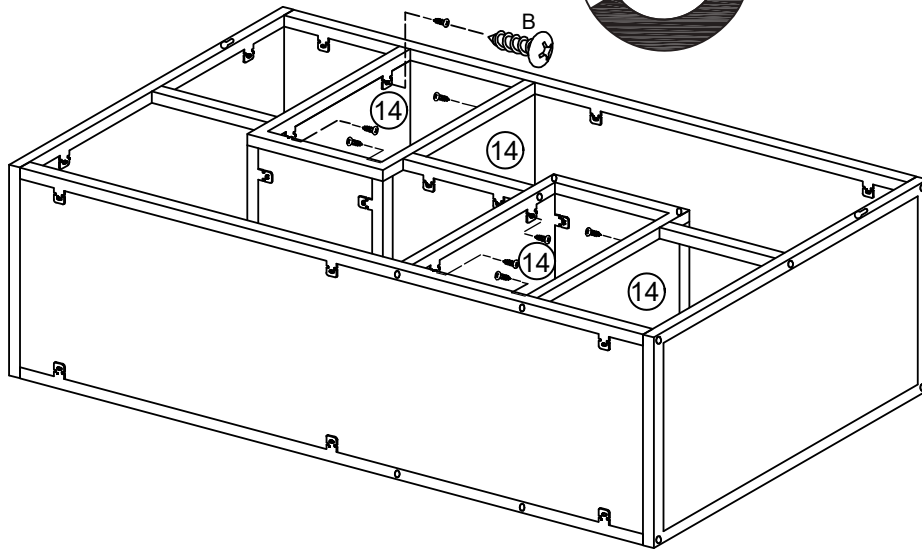
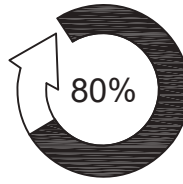
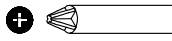
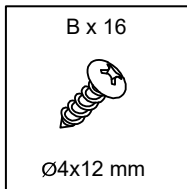
17



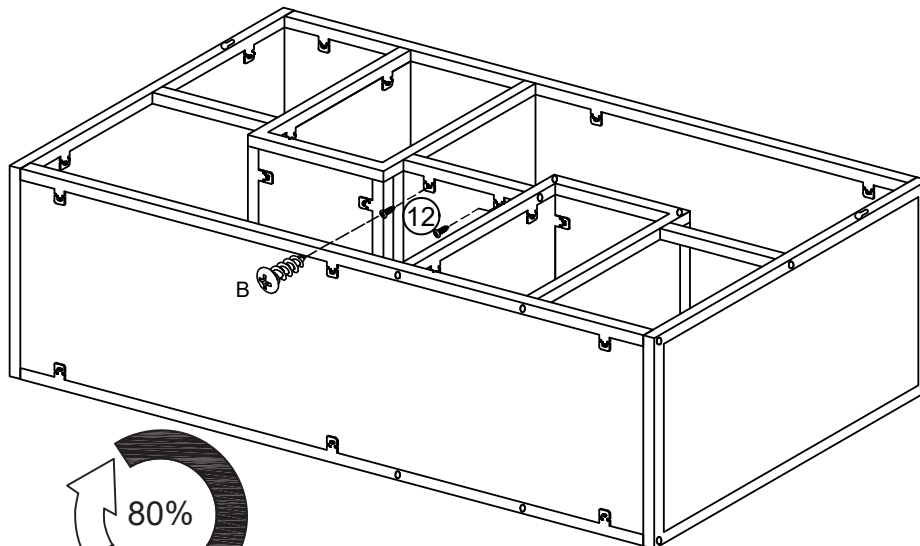
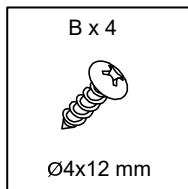
18



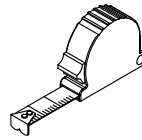
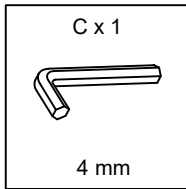
19



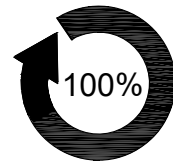
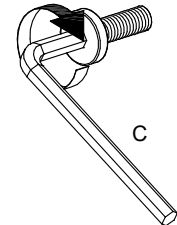
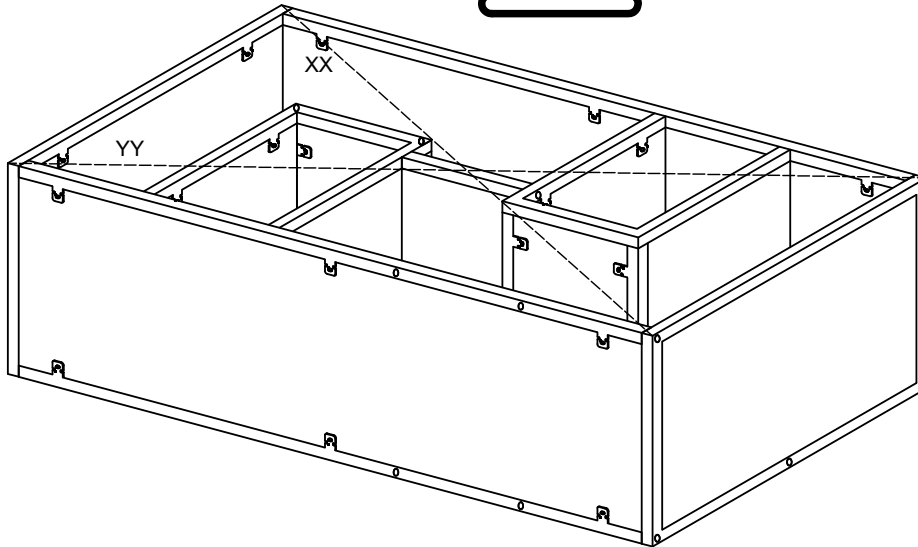
20



21

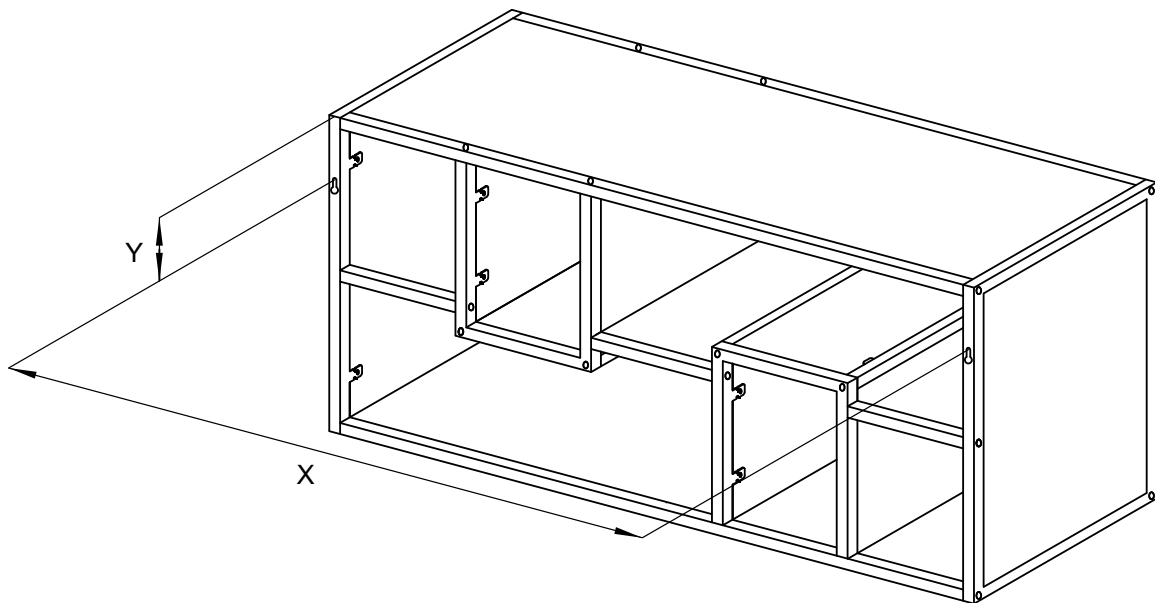
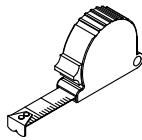


XX=YY

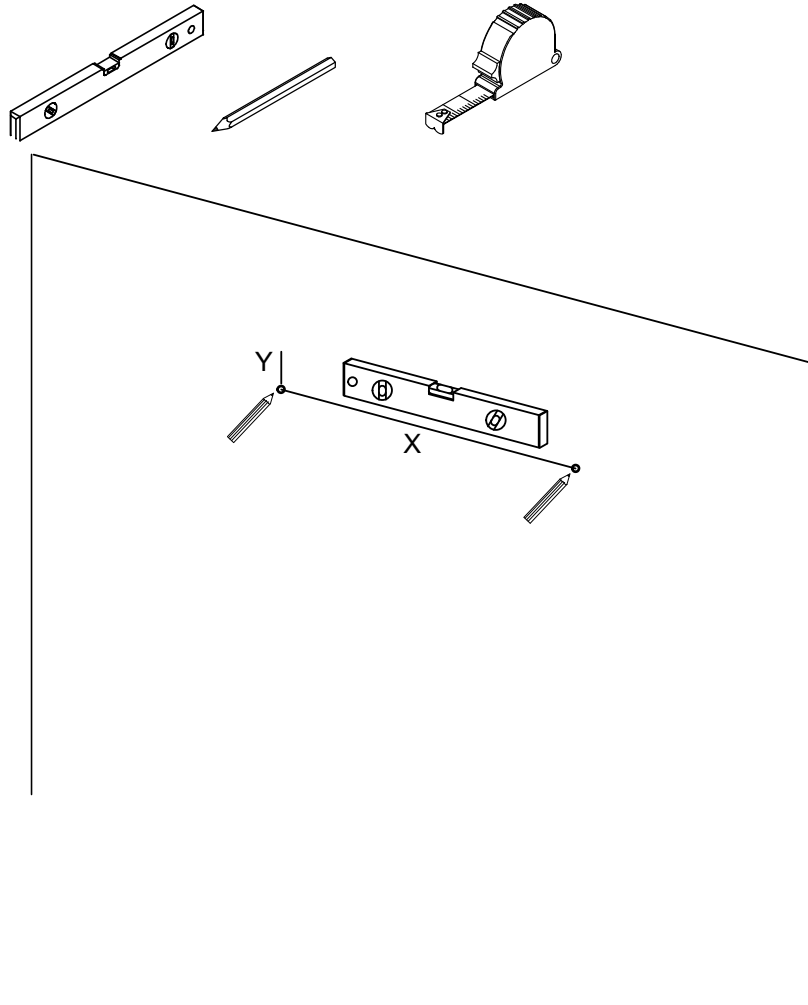


Ax32
Bx40

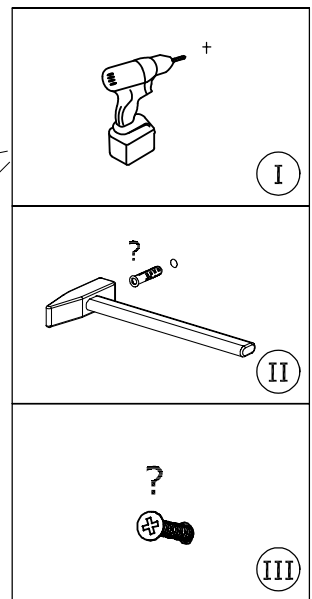
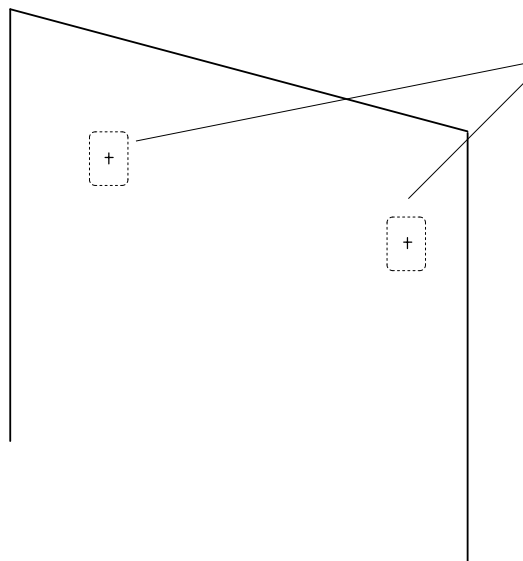
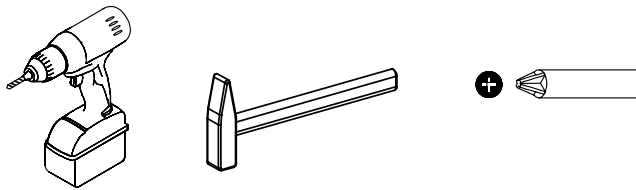
22



23



24



25

