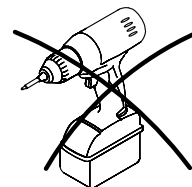
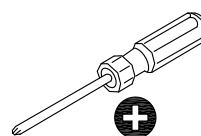
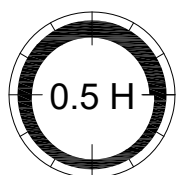
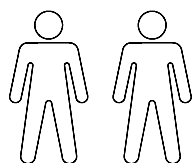
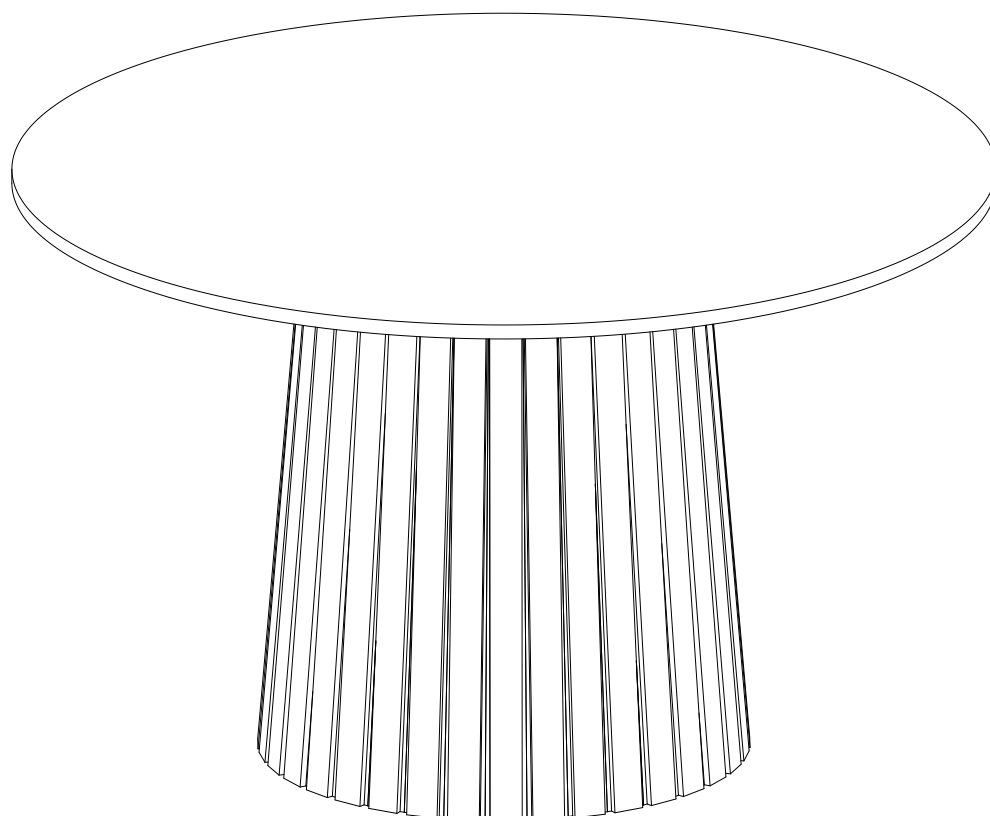
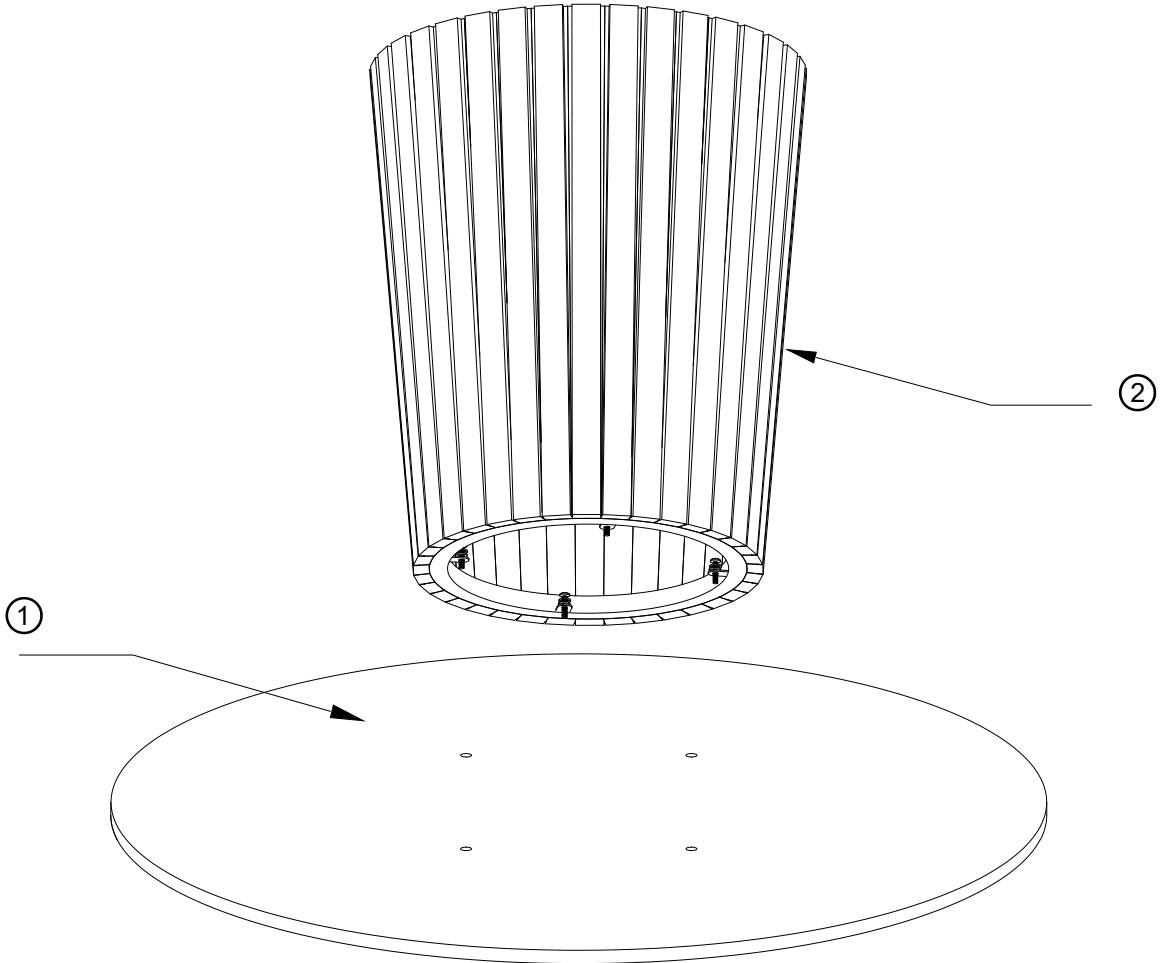
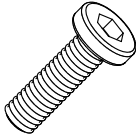
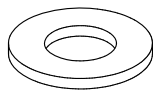
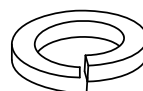
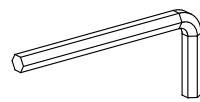

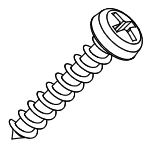


# CHRISTO

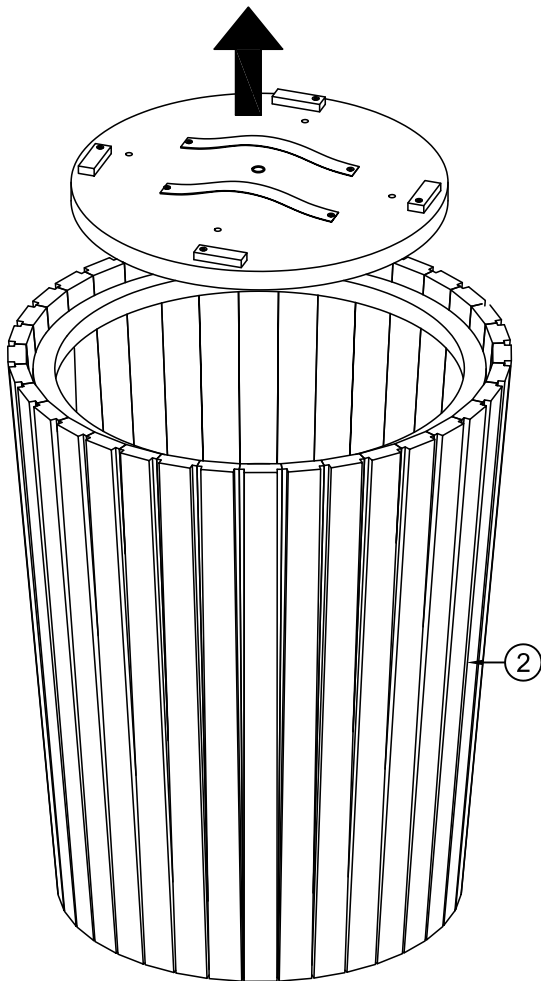
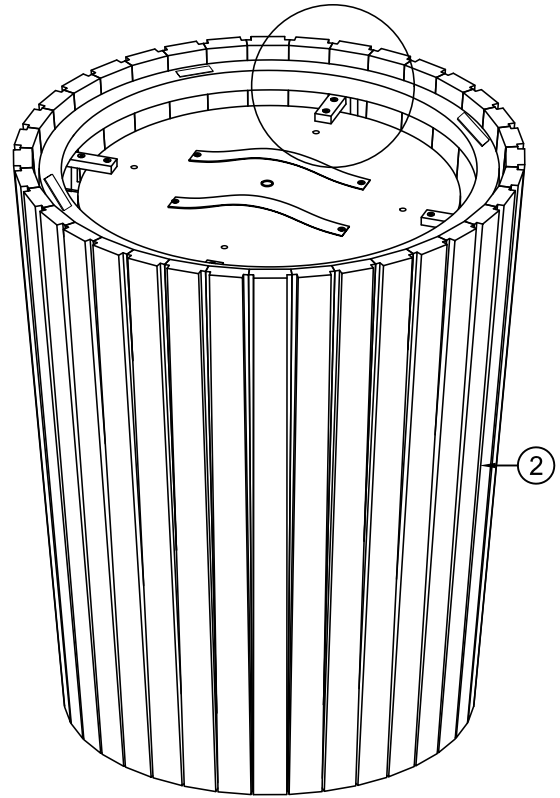
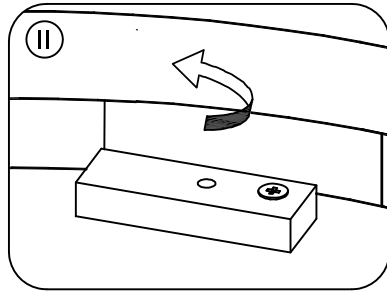
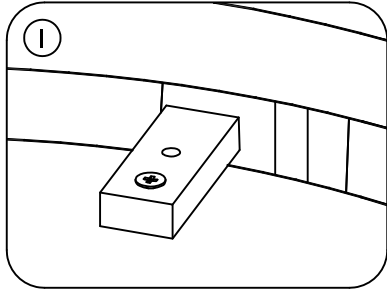


			✓
①	1	1200x1200x18mm	
②	1	732x603x731mm	







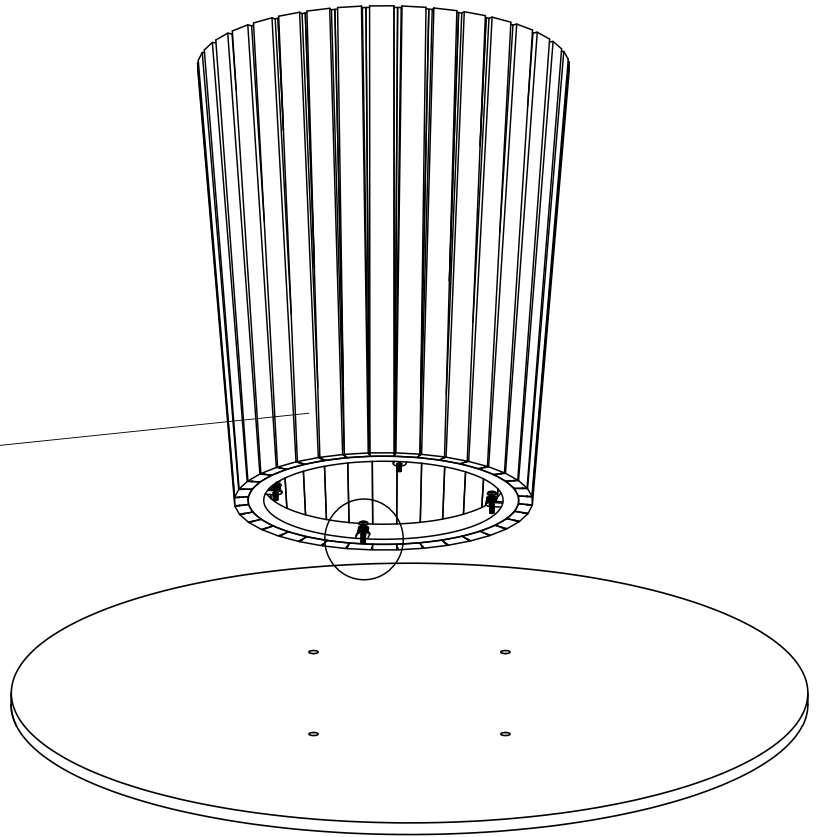
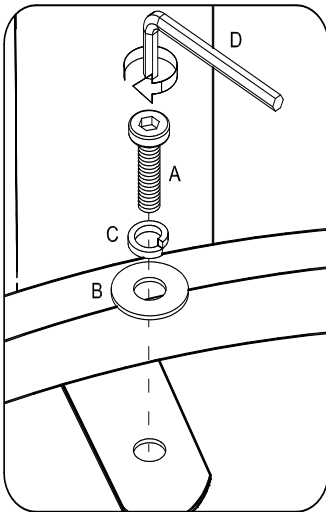
<p>A x 4</p>  <p>M6 x 20 mm</p>	<p>B x 4</p>  <p>Ø6 mm</p>	<p>C x 4</p>  <p>Ø6 mm</p>	<p>D x 1</p>  <p>4 mm</p>	<p>E x 8</p>  <p>15x35x2 mm</p>
<p>F x 4</p>  <p>Ø3.5 x 20 mm</p>				

1

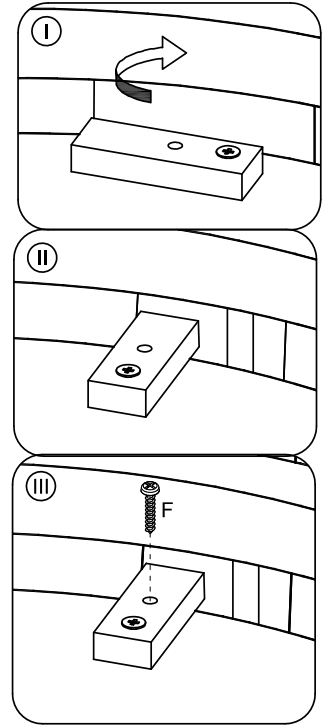
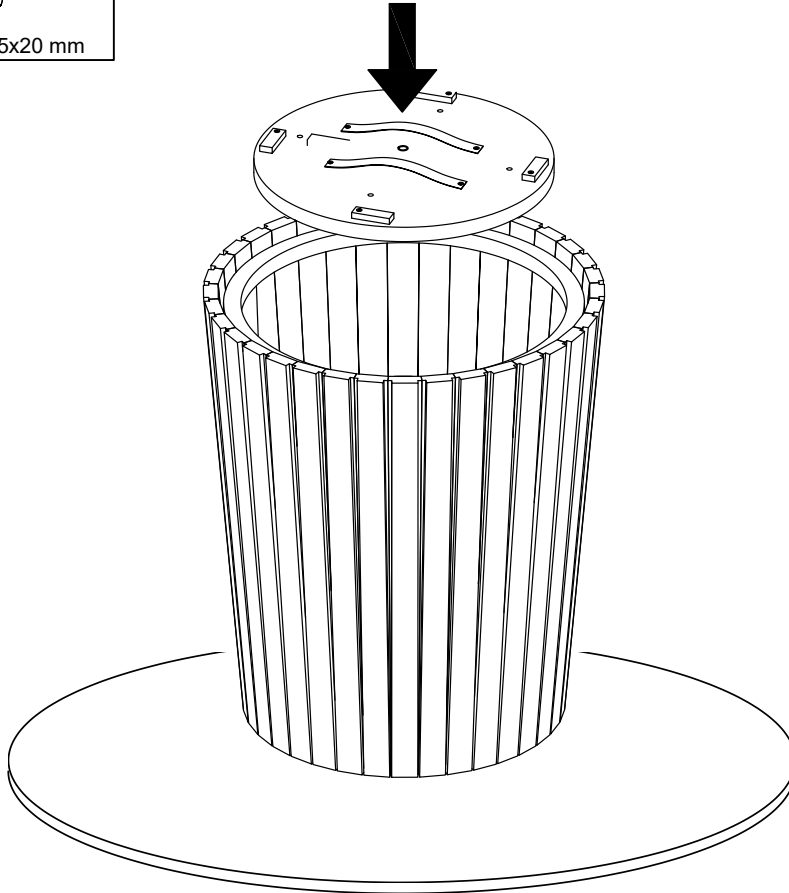
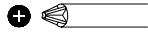
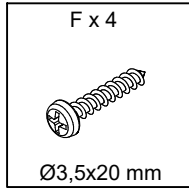


# 2

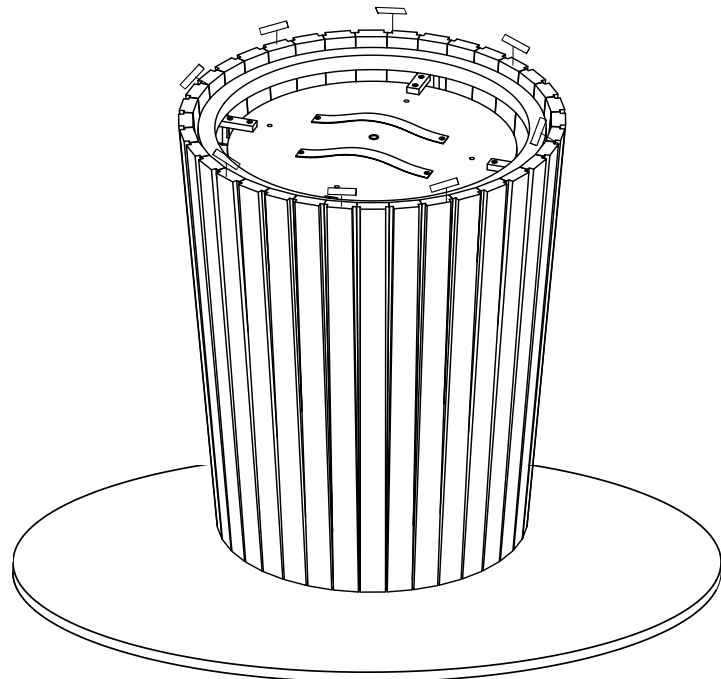
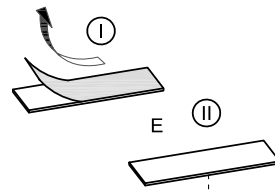
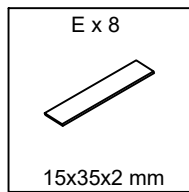
A x 4  M6x20 mm	B x 4  Ø6 mm	C x 4  Ø6 mm	D x 1  4 mm
--	---	---	--



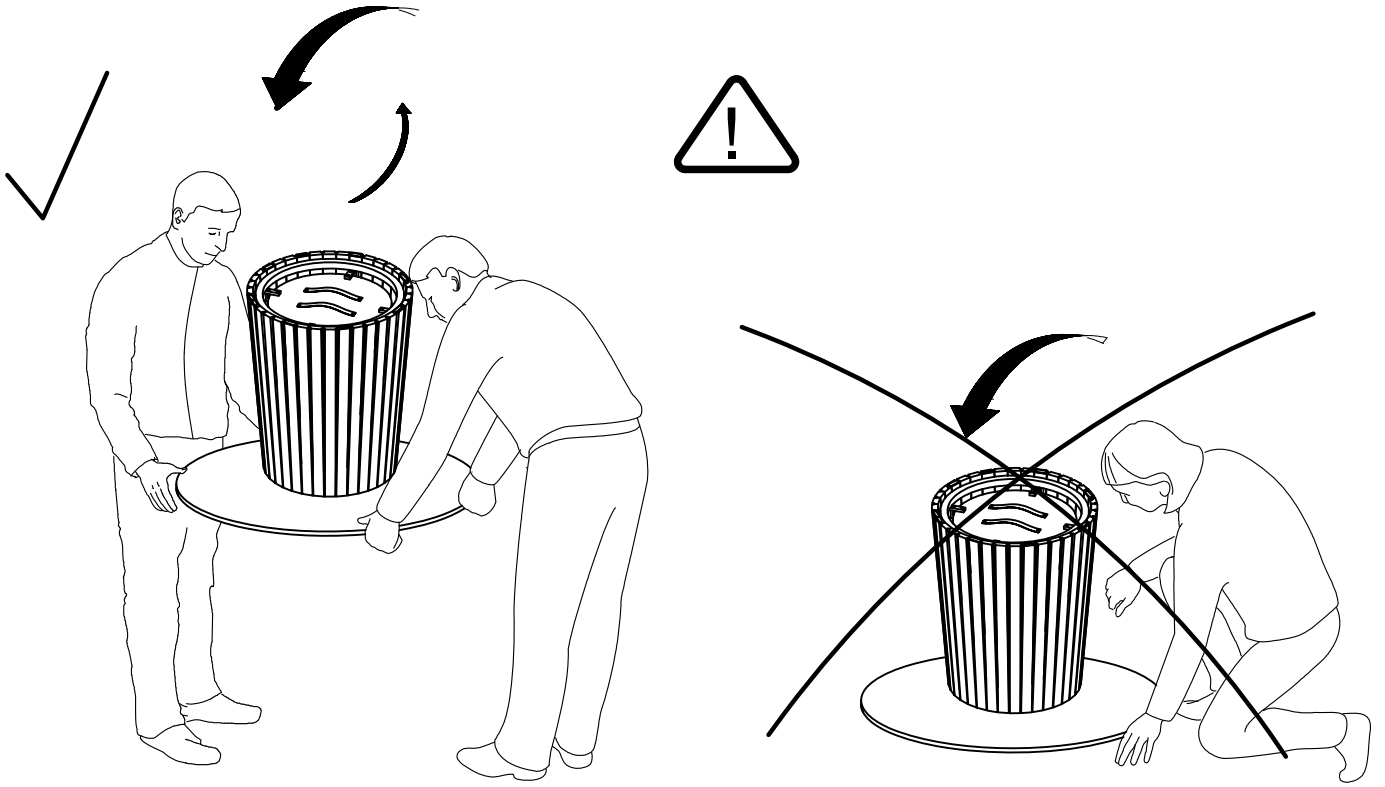
# 3



# 4



5



6

