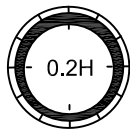
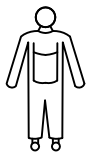
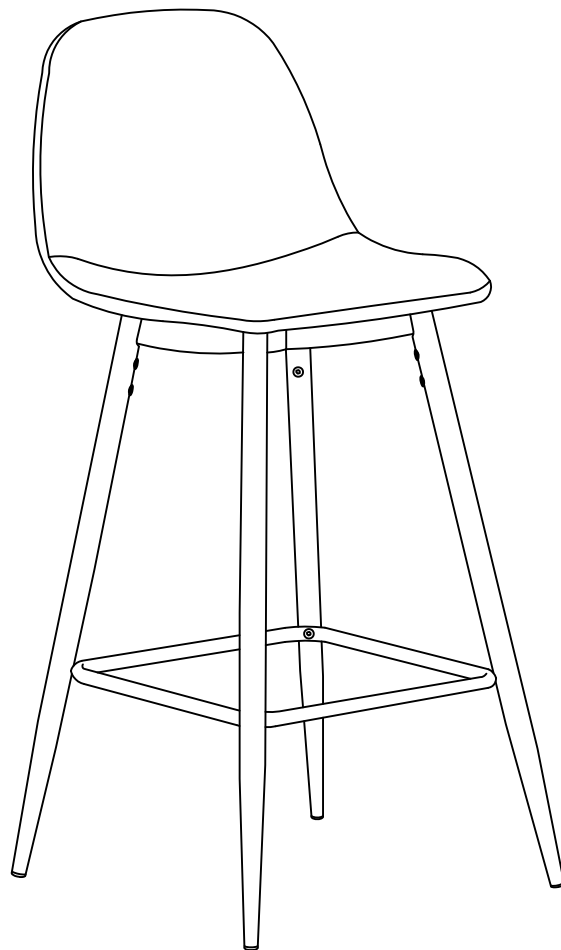
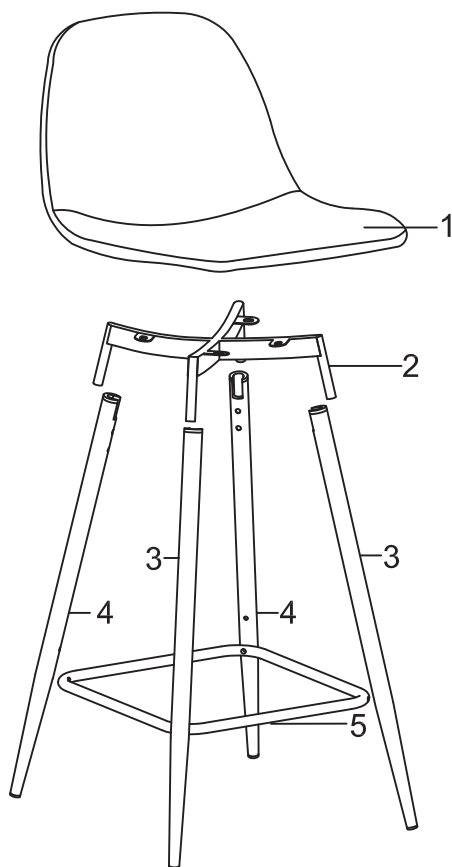


Wilma



Wilma



M6*16
A(X12)



Ø6
B(X4)



M6*20
C(X4)

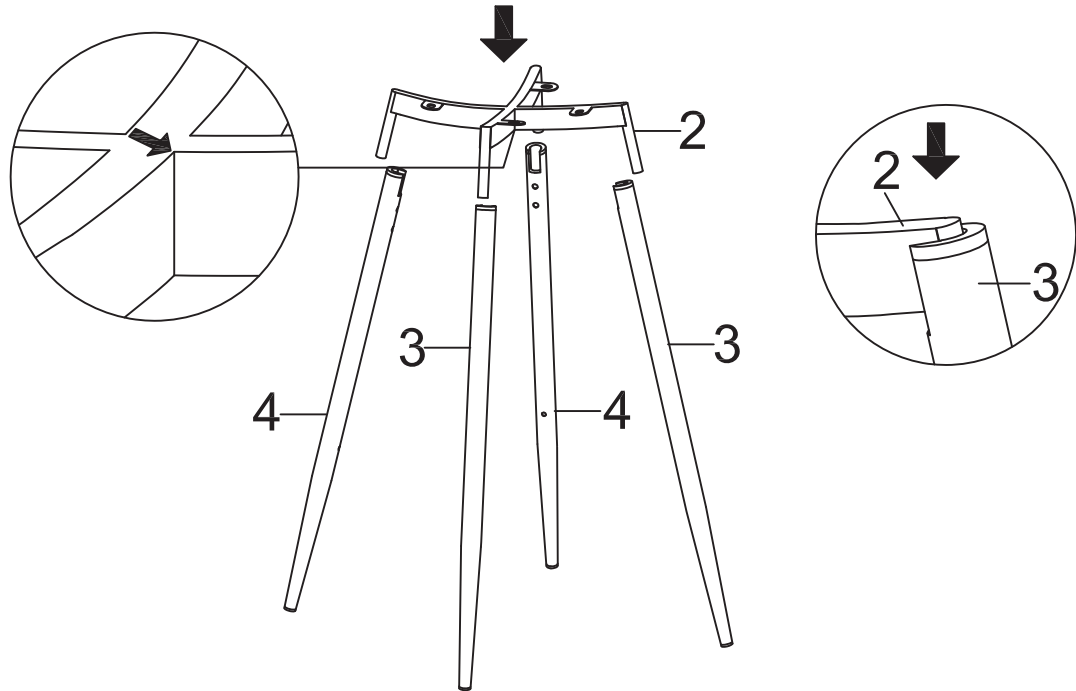


D(X1)

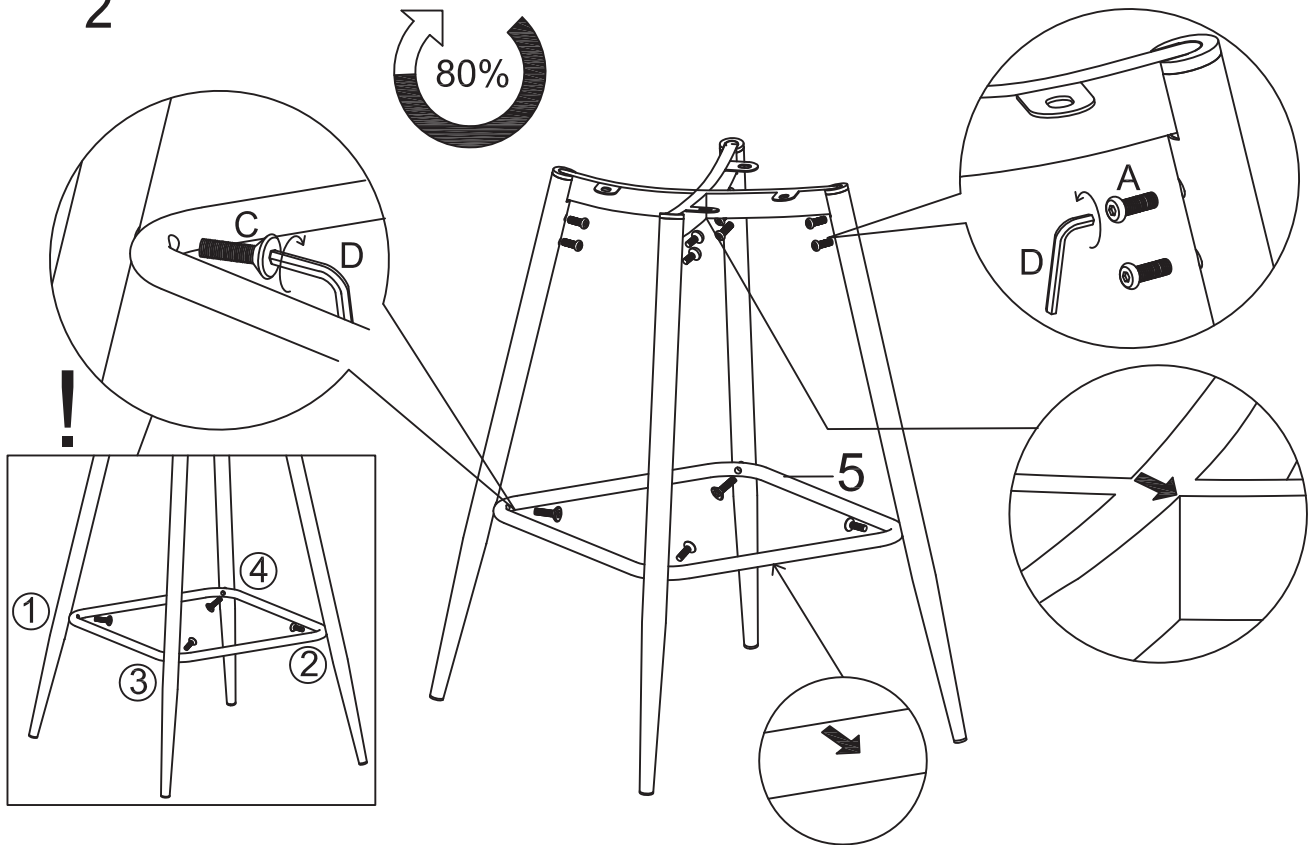


Wilma

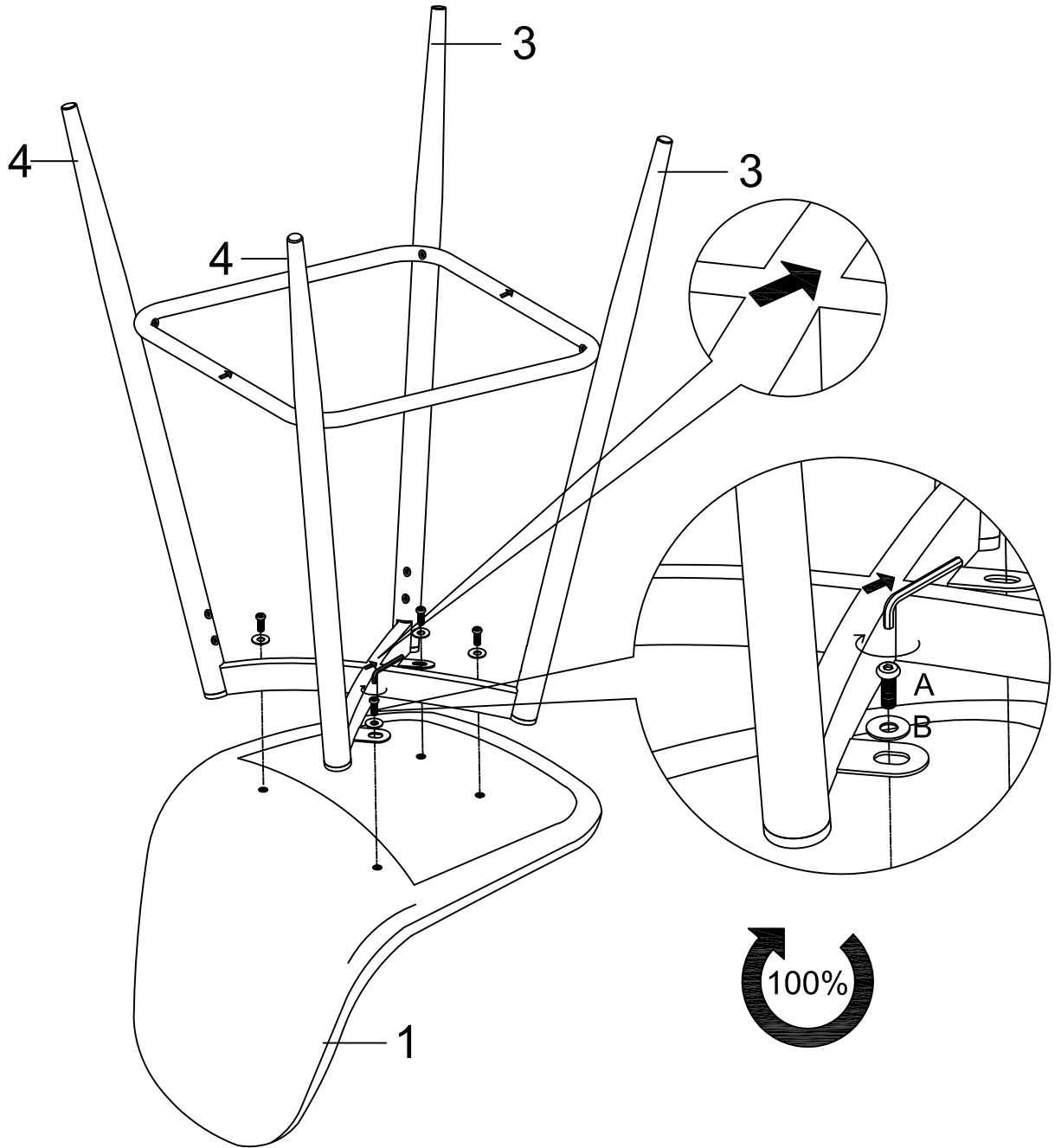
1



2



3



4

