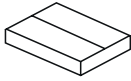




Kave® Cares



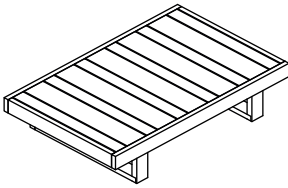
30 min



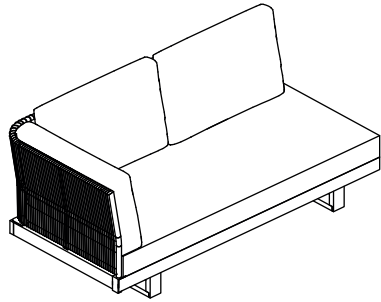
x4



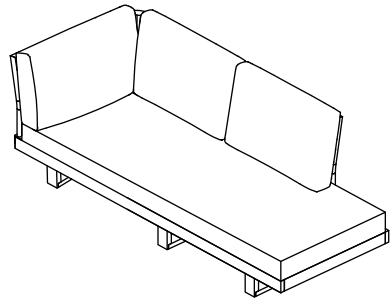
x2



P. 4

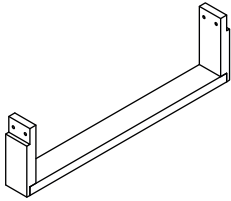


P. 7

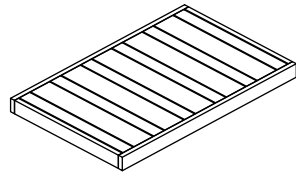


P. 11

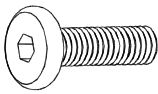




**A x2**



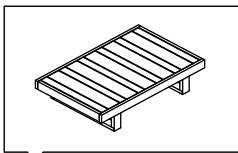
**B x1**



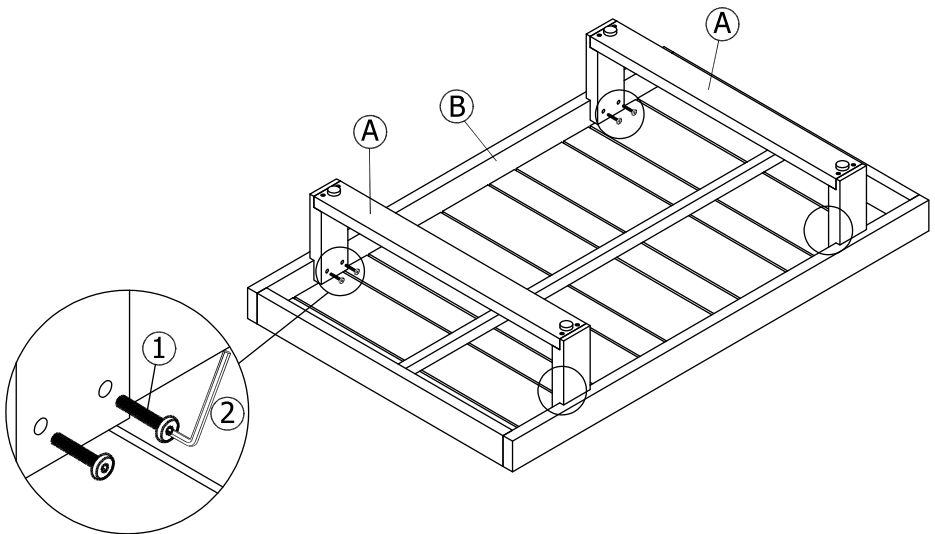
**1 x8**  
M6x35 mm

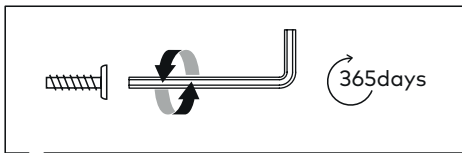
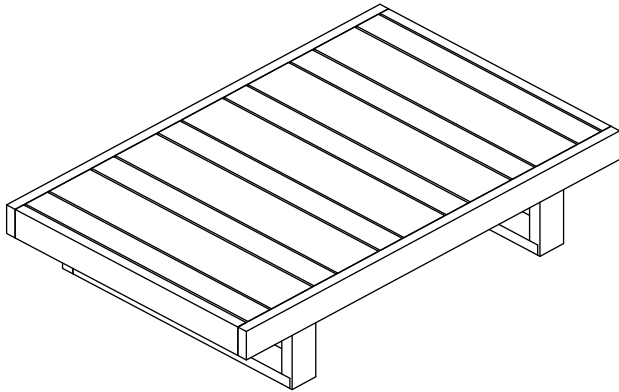


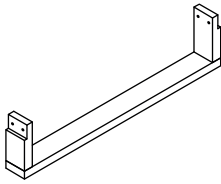
**2 x1**



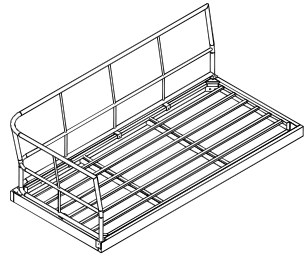
1



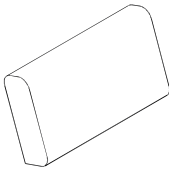




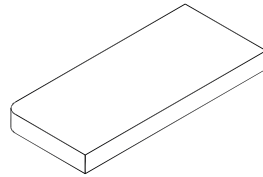
**C x2**



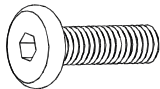
**D x1**



**E x3**



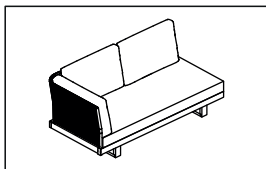
**F x1**



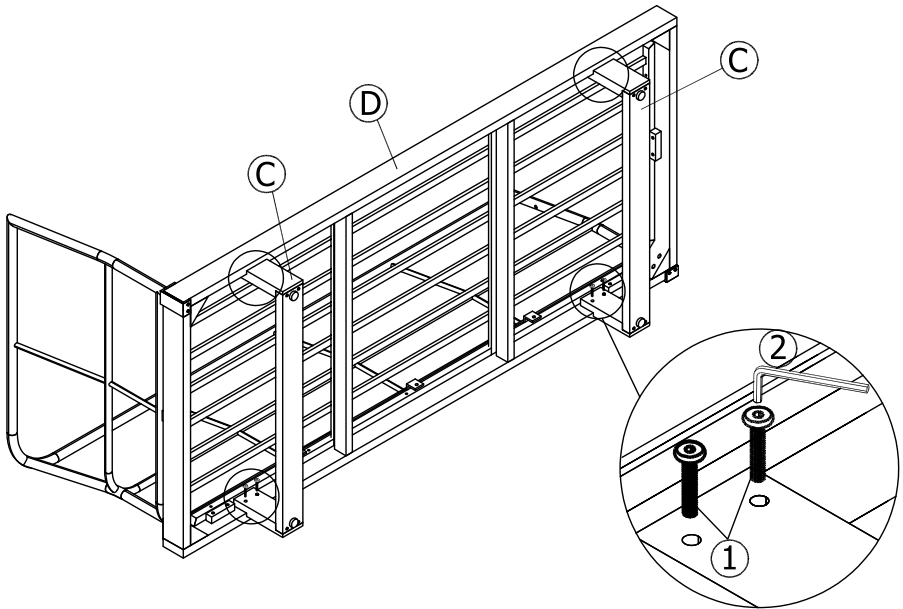
**1 x8**  
**M6x35 mm**



**2 x1**

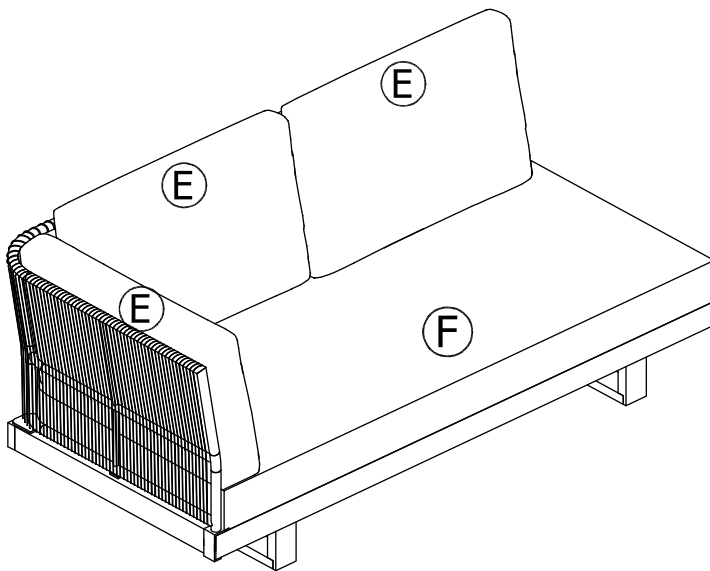


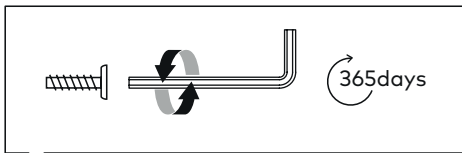
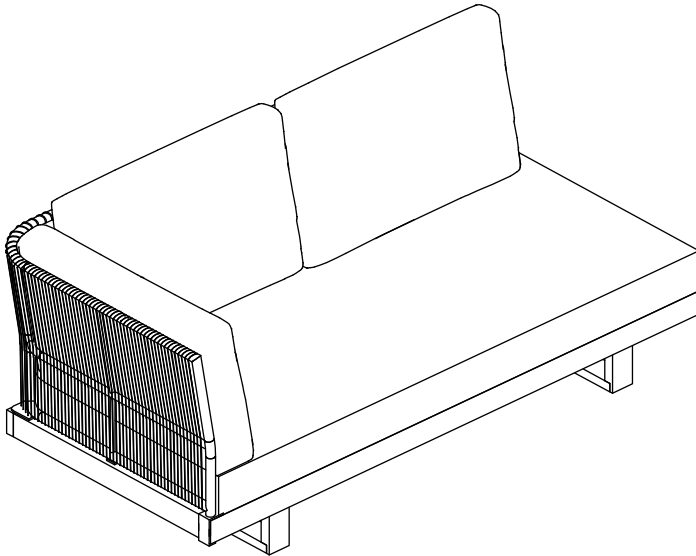
1

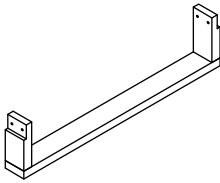




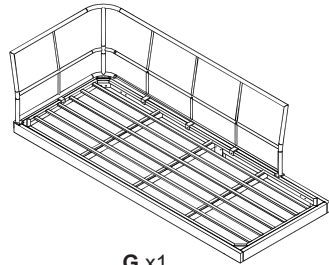
2



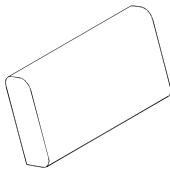




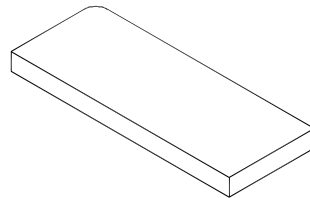
**C x3**



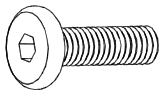
**G x1**



**E x3**



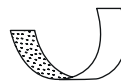
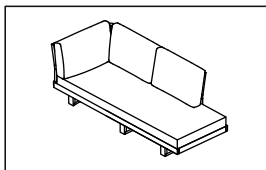
**H x1**



**1 x12**  
**M6x35 mm**

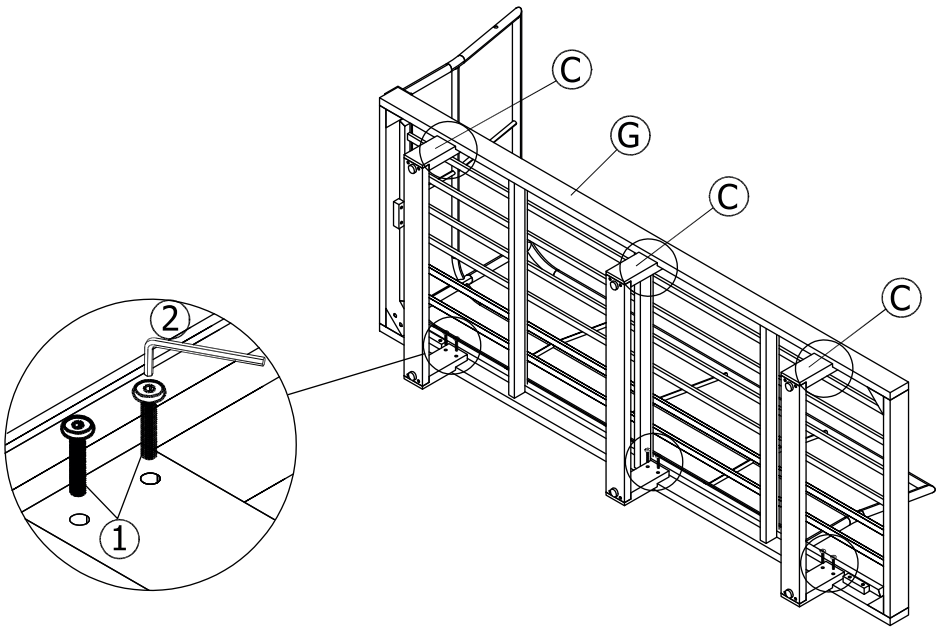


**2 x1**

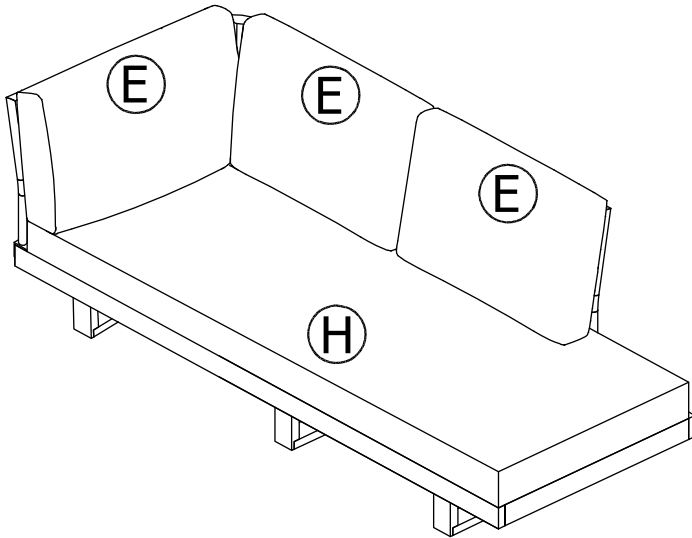


**I x2**

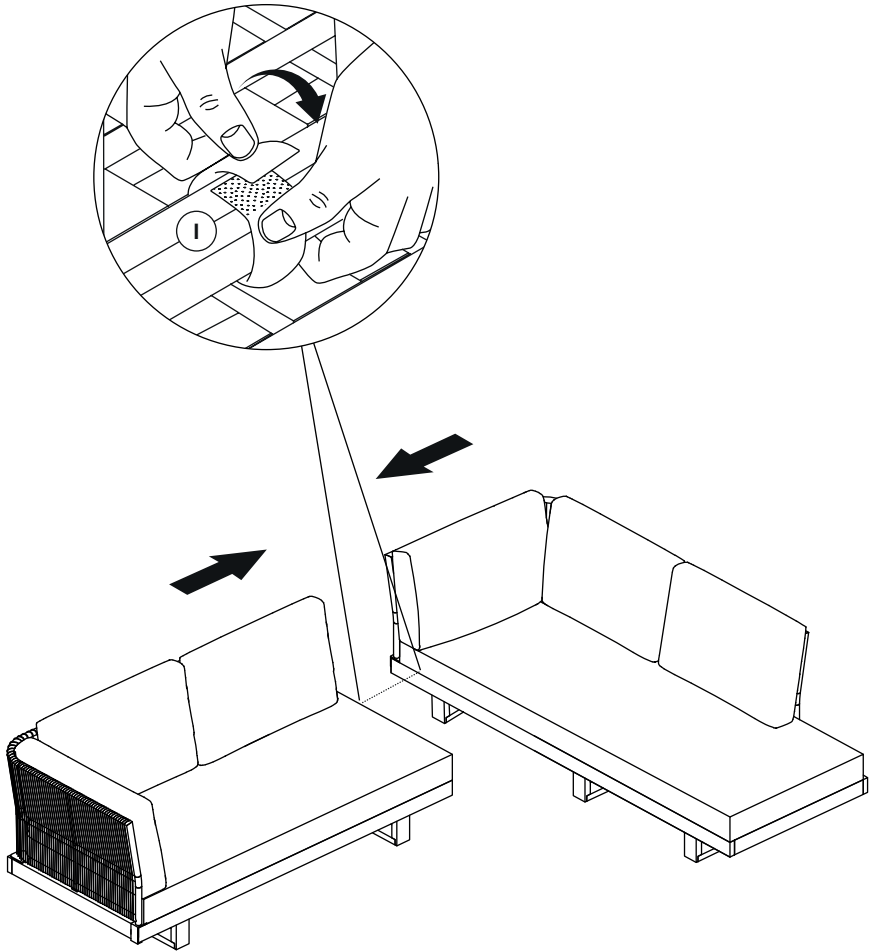
1

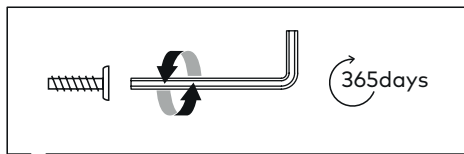
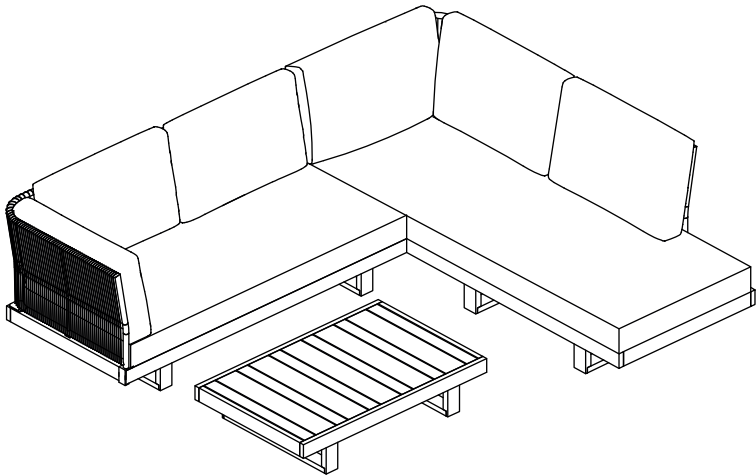


2



3







**THAT'S ALL FOLKS**

Share your style!

#KaveHome

