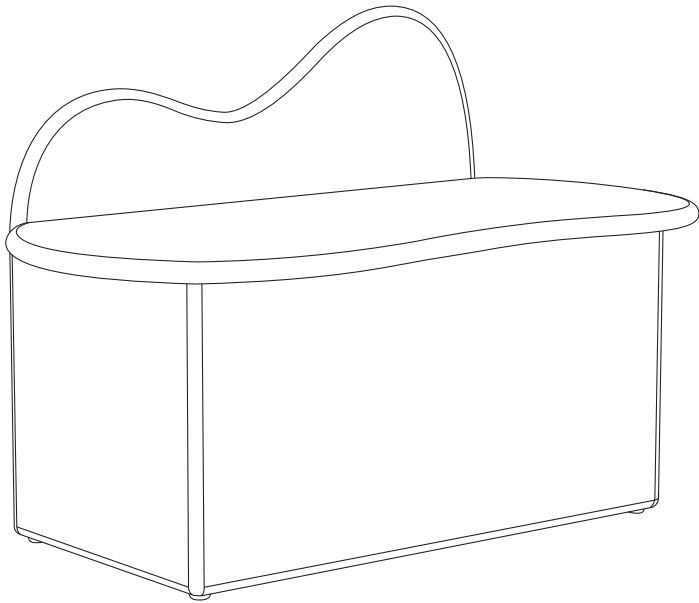


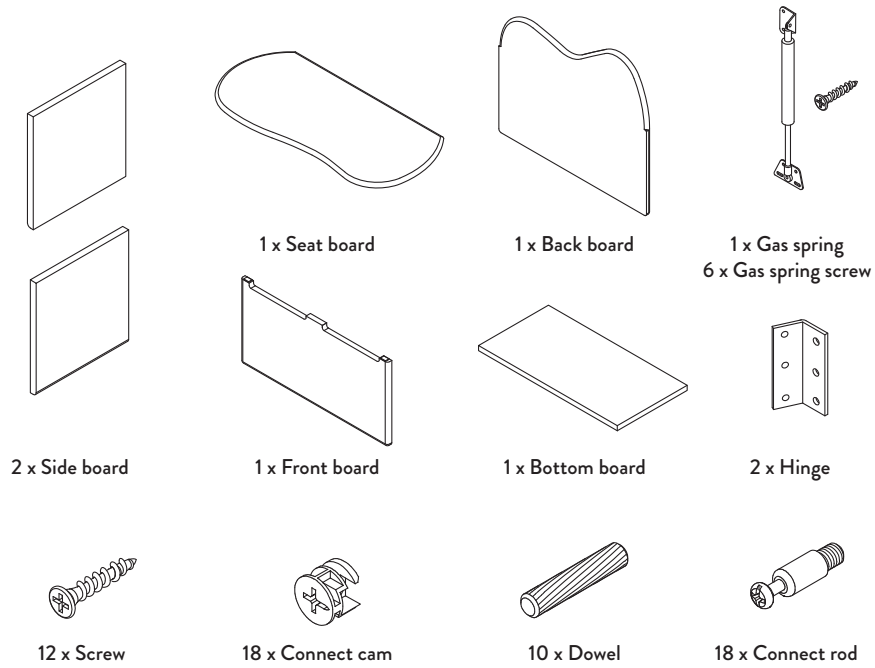
Slope Storage Bench

Assembly manual



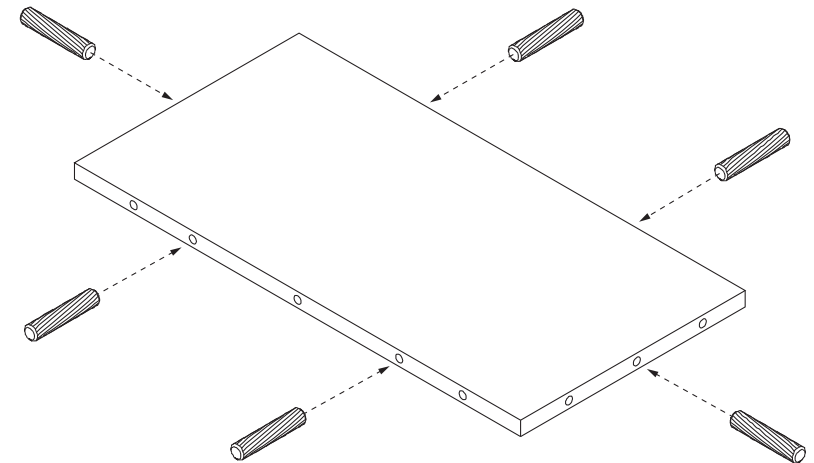
ferm
L I V I N G

Box Content



Assembly Process

1



Needed tools

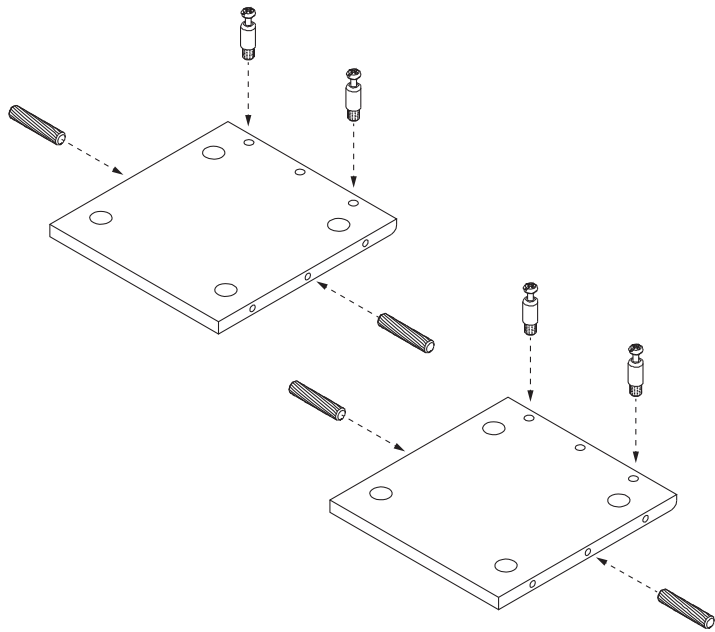


Phillips head screwdriver

Insert dowel into bottom board.

Assembly Process

2

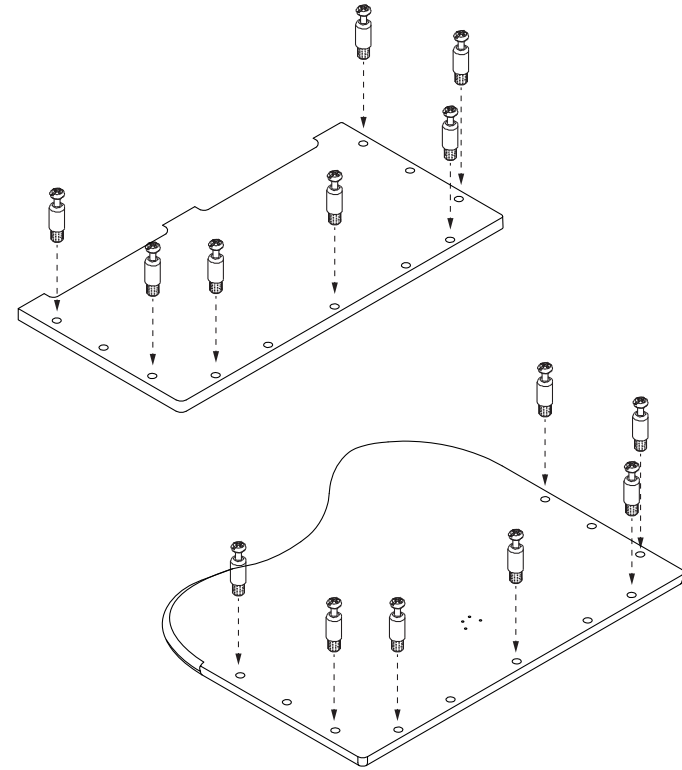


Insert dowel and screw connect rod into the 2 side board.

4

Assembly Process

3

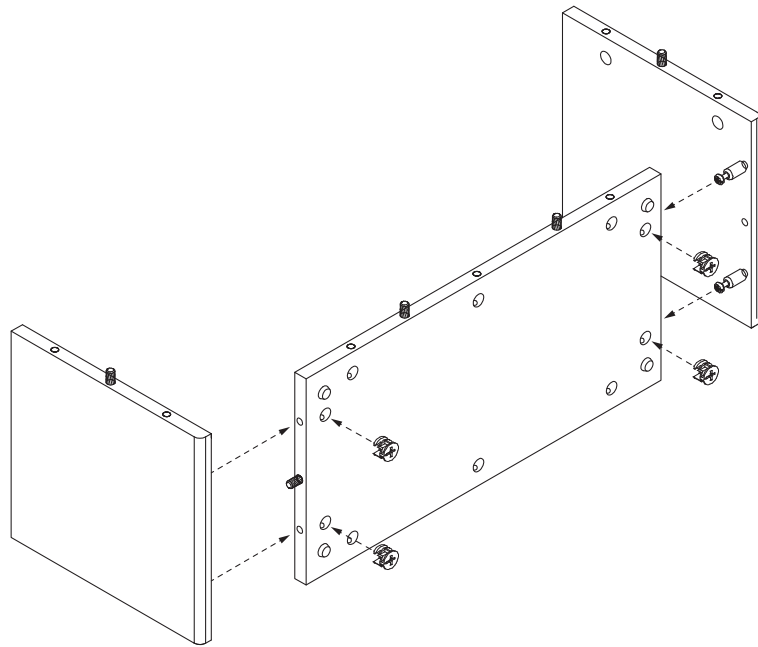


Connect rods into front board, and back board.

5

Assembly Process

4

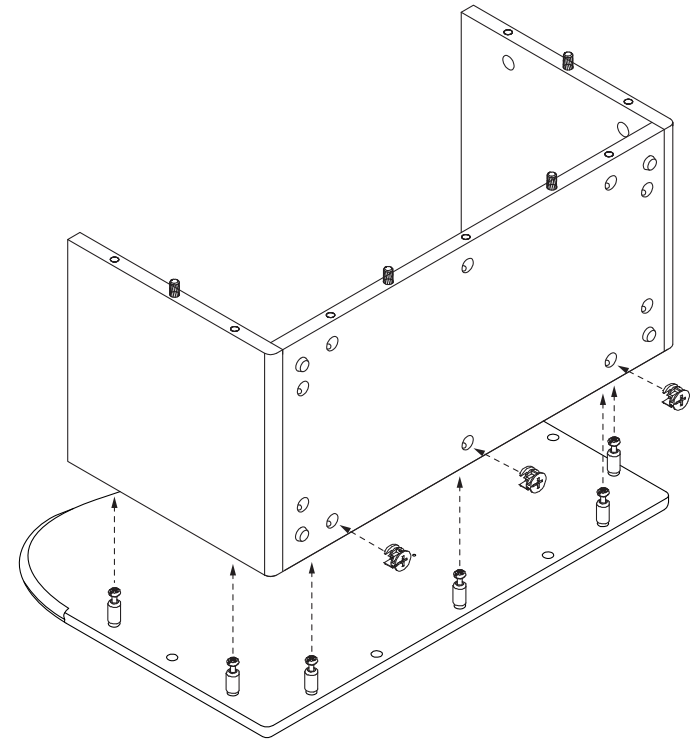


Assemble 2 side board with bottom board, screw 4 connect cam.

6

Assembly Process

5

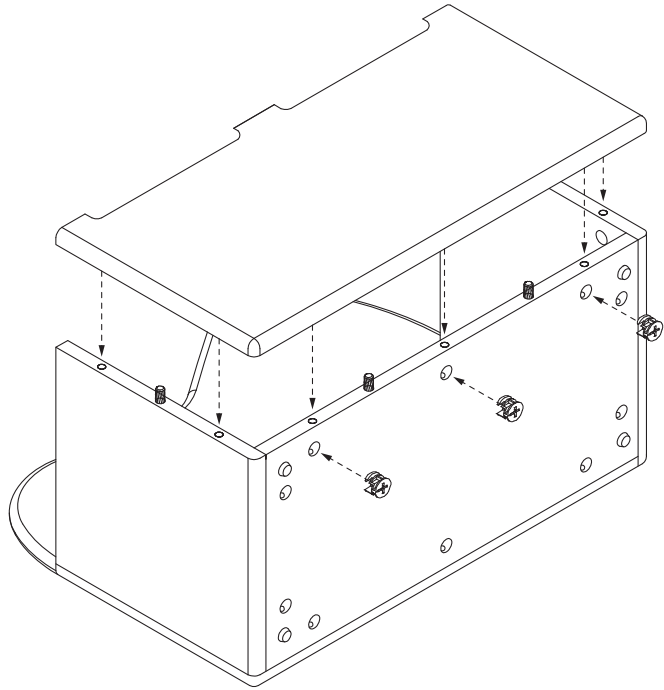


Assemble back board, screw 3 connect cam.

7

Assembly Process

6

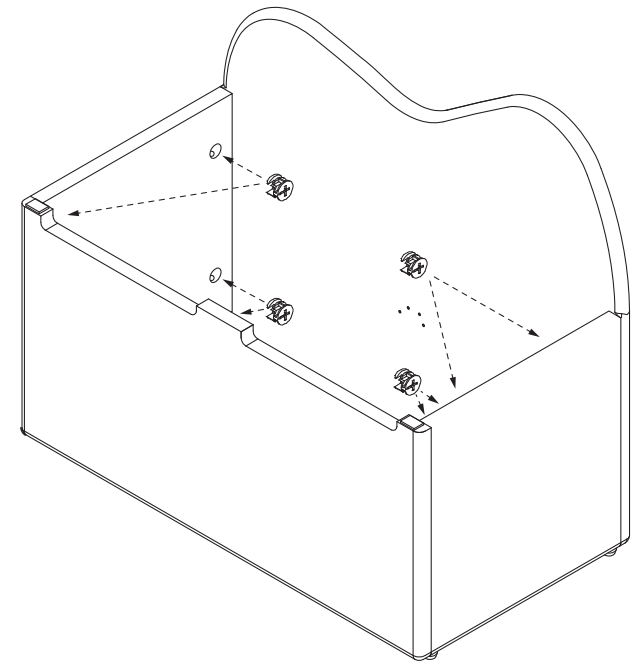


Assemble front board, screw 3 connect cam.

8

Assembly Process

7

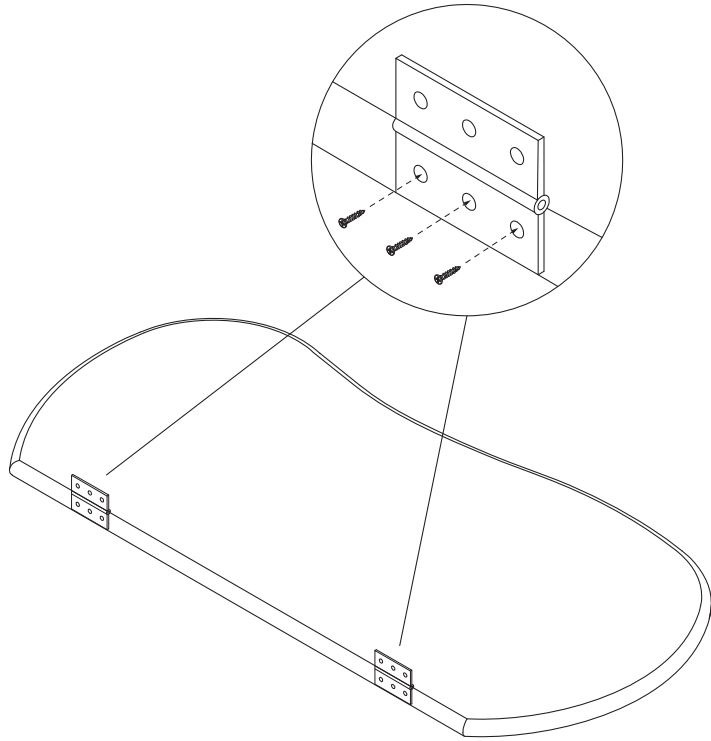


Screw 8 connect cam inside bench

9

Assembly Process

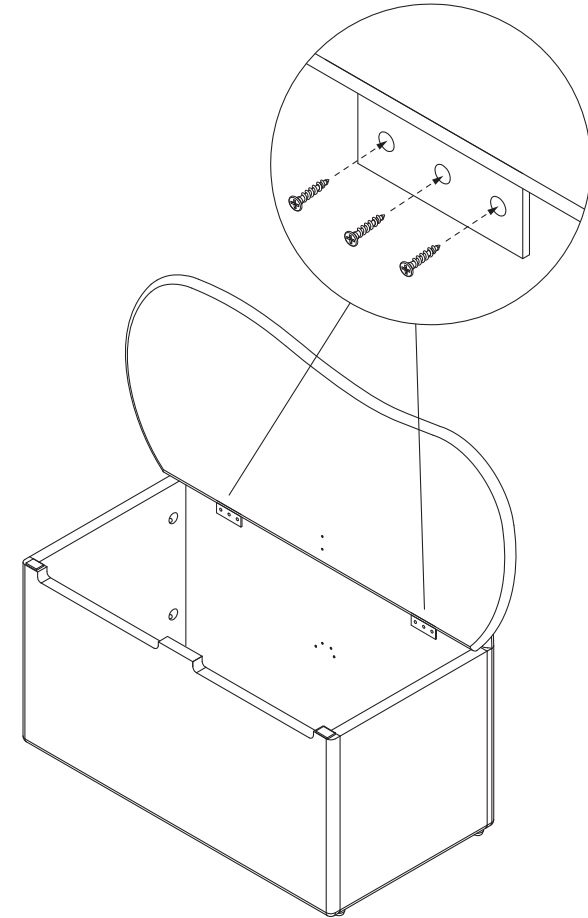
8



Screw 2 hinge onto seat board with 6 screws

Assembly Process

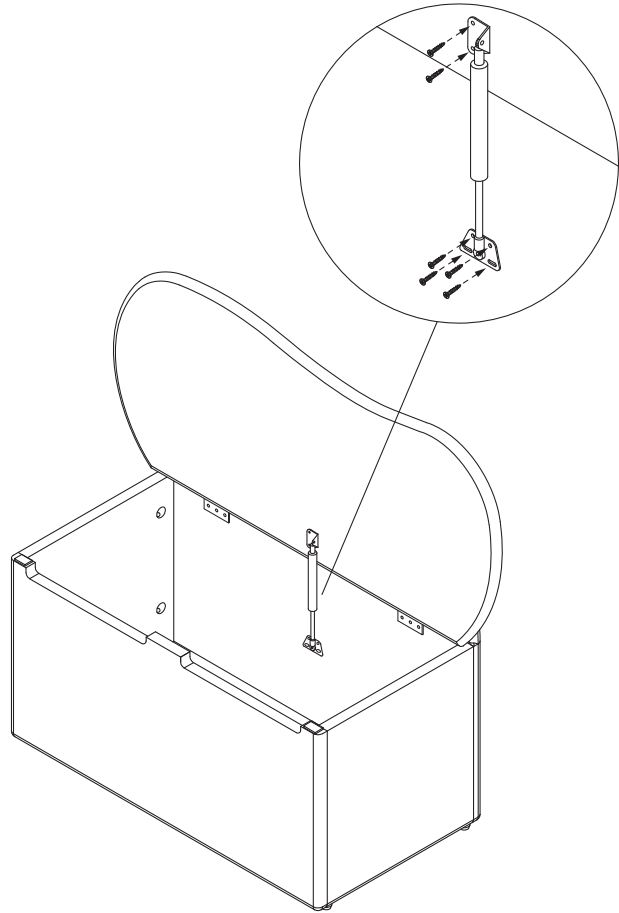
9



Screw 2 hinge onto back board with 6 screws

Assembly Process

10



Screw gas spring onto seat board and back board

fermliving.com