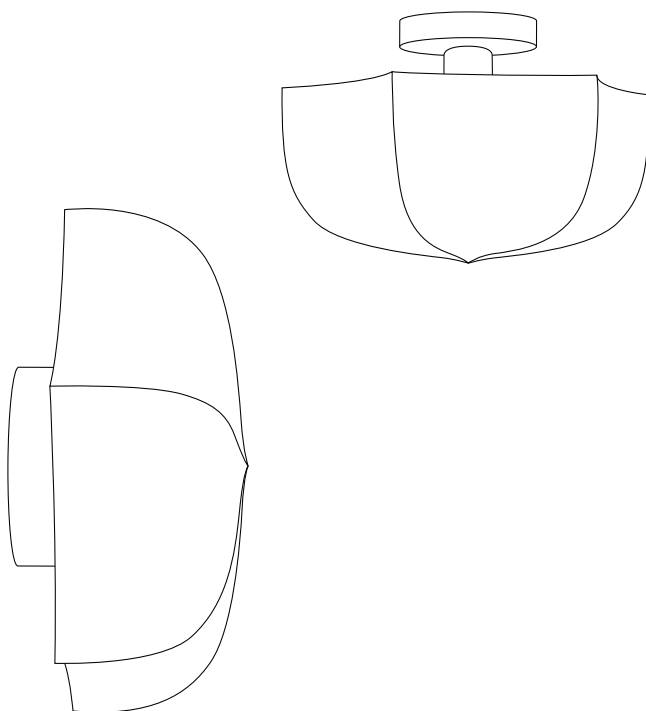


# Poem Wall/Ceiling Lamp

---

Assembly manual



ferm  
L I V I N G

## General Instructions

PLEASE READ BEFORE INSTALLATION

### WARNING:

The safety of this fitting can only be guaranteed if the following instructions are observed during both installation and use. Please retain these instructions safely after installation.

### PLEASE OBSERVE THE FOLLOWING GUIDELINES:

- Ensure that the power supply has been switched off prior to installation or removal of the product.
- Never undertake an electrical installation without the proper knowledge or training. If not familiar with electrical wiring, contact a qualified electrician.
- The product may in no way be modified or tampered with. Any modification may compromise safety and make the product itself dangerous to use. FERM LIVING does not accept any responsibility for products that have been modified.
- This product requires the use of a lightbulb that is not included. Please use a lightbulb that has the relevant safety certifications and approvals for your area.
- Any modification must be performed only by qualified personnel to avoid any danger.
- This product is meant for indoor use only.
- This appliance should not be disposed in a domestic trash receptacle and should instead be recycled appropriately.

### CLEANING INSTRUCTIONS:

- Use only a soft cloth to clean the product.

### MORE INFORMATION:

To access further information such as product overview and material descriptions, please visit our website at [www.fermliving.com](http://www.fermliving.com). If you have any questions or comments, please do not hesitate to contact us at [info@fermliving.com](mailto:info@fermliving.com).

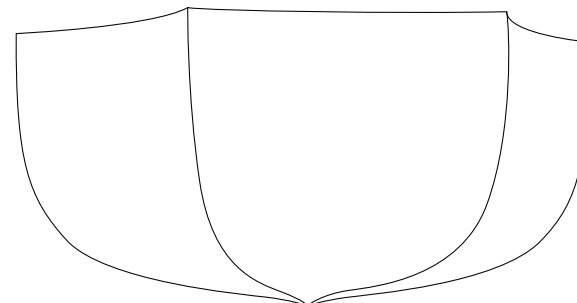
## Technical Specifications

### POEM WALL / CEILING LAMP Ø36:

Voltage:	220-240V – 50Hz
Dimmable:	No
Certification:	CE, UKCA, RoHs, IP20 Class II
Socket:	E27 socket base
Recommended light source:	Bulb max 12w LED (Light bulb not included).

## Box Content

### Poem Wall / Ceiling Lamp Ø36



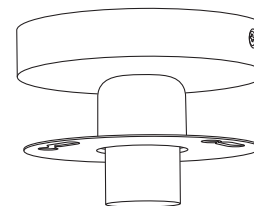
1 x Lampshade



2 x Base screw



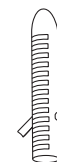
2 x Wall screw



1 x Lamp base



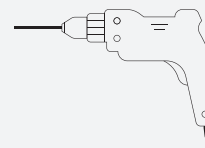
1 x Base bracket



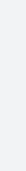
2 x Wall plug

## Tools

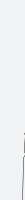
### NEEDED TOOLS



Electrical drill



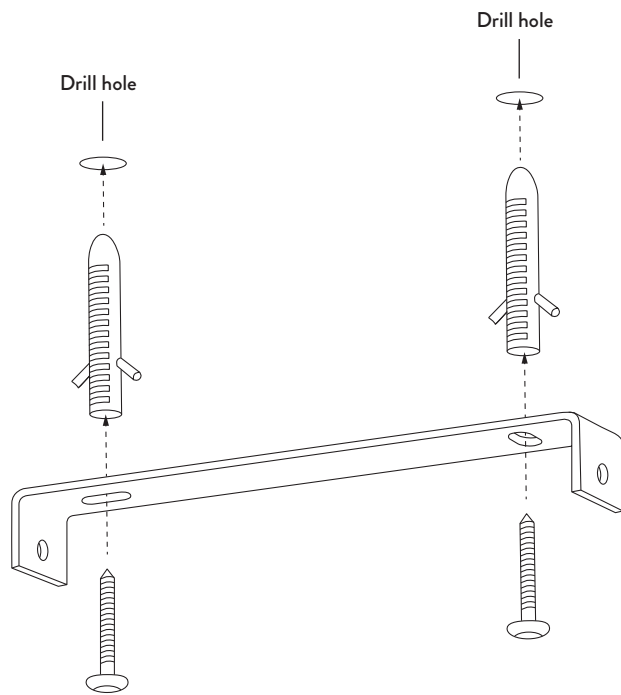
Pencil



Screwdriver star head

## Assembly Process

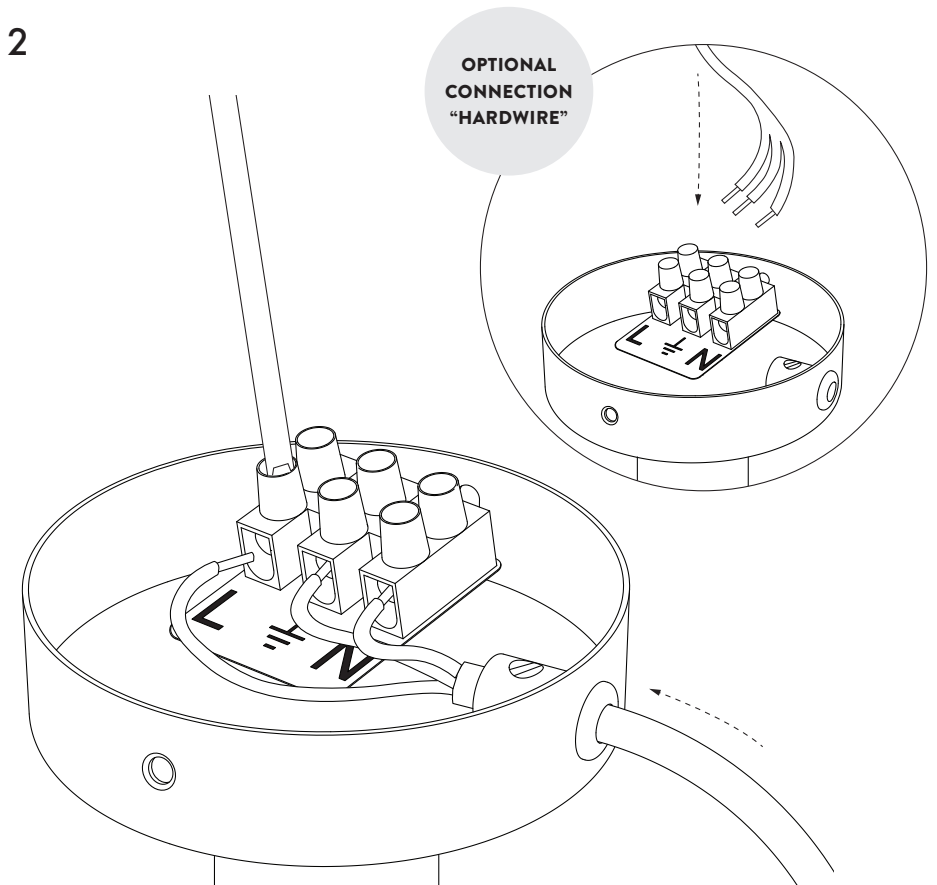
1



Mark and drill two holes where the lamp is to be placed. (Use an electrical drill)  
Set up the ceiling bracket with appropriate screws and two wallplugs.

## Assembly Process

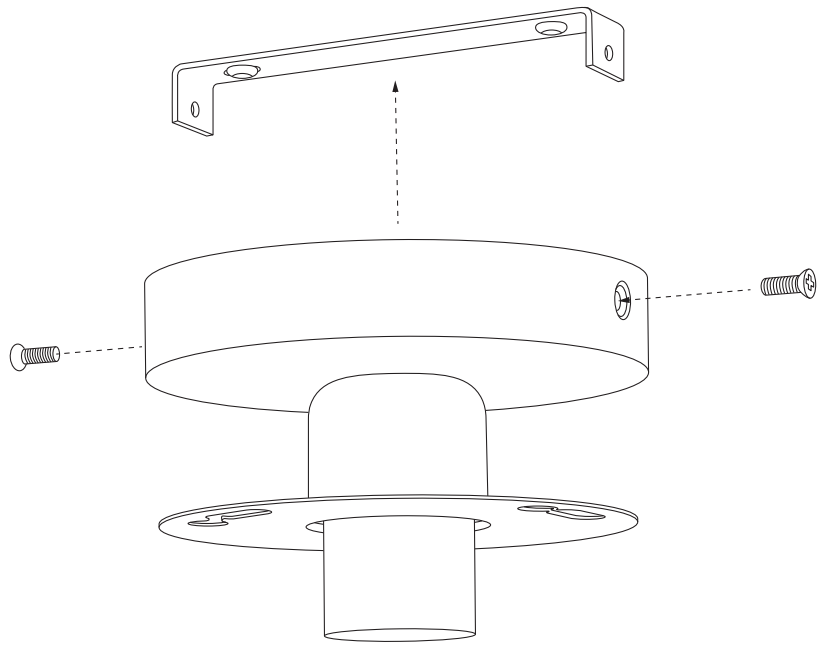
2



Connect the power cable through the hole of the canopy. (Cable not included)  
**OPTIONAL CONNECTION:** Connect the hardwire power cable from the wall/ceiling.

## Assembly Process

3

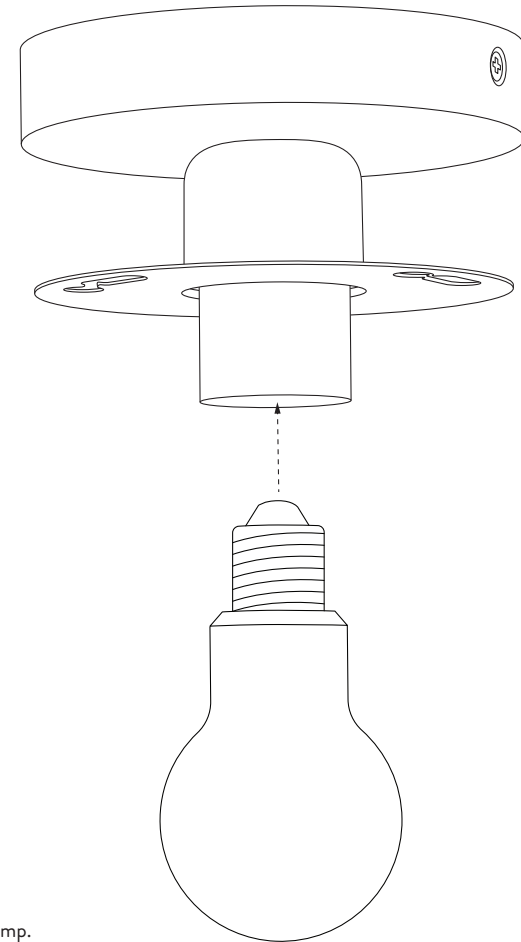


Mount the lamp base on the wall/ceiling with the 2 screws in bracket.

6

## Assembly Process

4

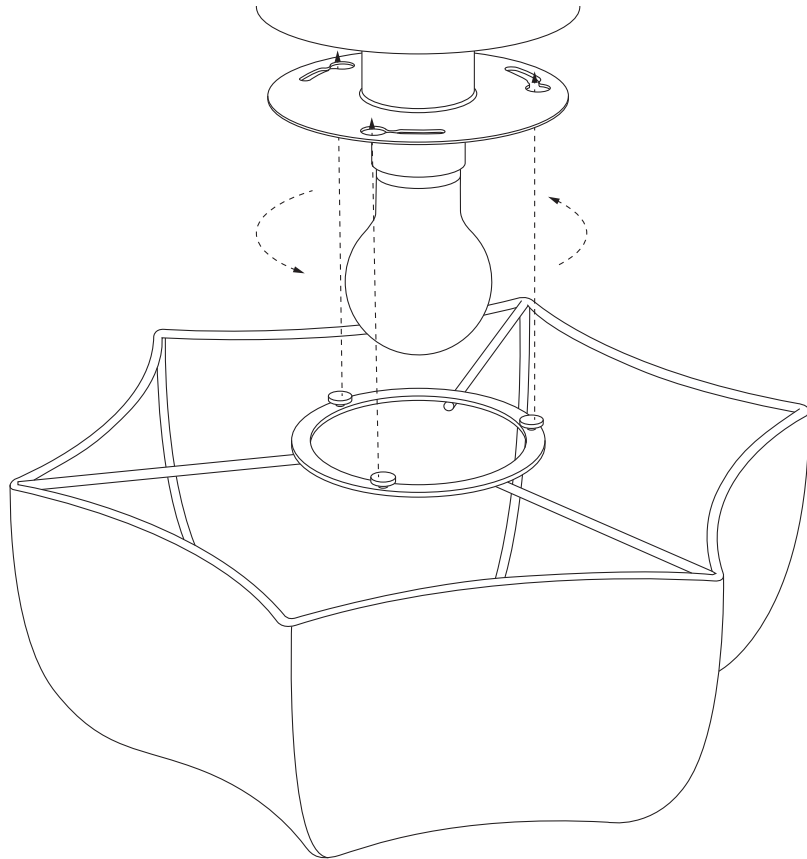


Mount a bulb E27 in the lamp.  
(Bulb not included).

7

## Assembly Process

5



Mount the lampshade on the base.  
Push up and turn it right.

## General Instructions

PLEASE READ BEFORE INSTALLATION

### WARNING:

The safety of this fitting can only be guaranteed if the following instructions are observed during both installation and use. Please retain these instructions safely after installation.

### PLEASE OBSERVE THE FOLLOWING GUIDELINES:

- Ensure that the power supply has been switched off prior to installation or removal of the product.
- Never undertake an electrical installation without the proper knowledge or training. If not familiar with electrical wiring, contact a qualified electrician.
- The product may in no way be modified or tampered with. Any modification may compromise safety and make the product itself dangerous to use. FERM LIVING does not accept any responsibility for products that have been modified.
- This product requires the use of a lightbulb that is not included. Please use a lightbulb that has the relevant safety certifications and approvals for your area.
- Any modification must be performed only by qualified personnel to avoid any danger.
- This product is meant for indoor use only.
- This appliance should not be disposed in a domestic trash receptacle and should instead be recycled appropriately.

### CLEANING INSTRUCTIONS:

- Use only a soft cloth to clean the product.

### MORE INFORMATION:

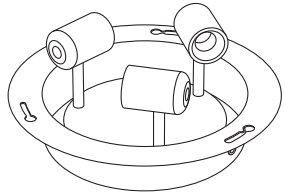
To access further information such as product overview and material descriptions, please visit our website at [www.fermliving.com](http://www.fermliving.com). If you have any questions or comments, please do not hesitate to contact us at [info@fermliving.com](mailto:info@fermliving.com).

## Technical Specifications

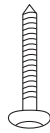
### POEM WALL / CEILING LAMP Ø60:

Voltage:	220-240V – 50Hz
Dimmable:	No
Certification:	CE, UKCA, RoHs, IP20 Class II
Socket:	E27 socket base
Recommended light source:	3 pcs bulb max 12w LED (Light bulb not included).

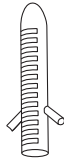
## Box Content Poem Wall / Ceiling Lamp Ø60



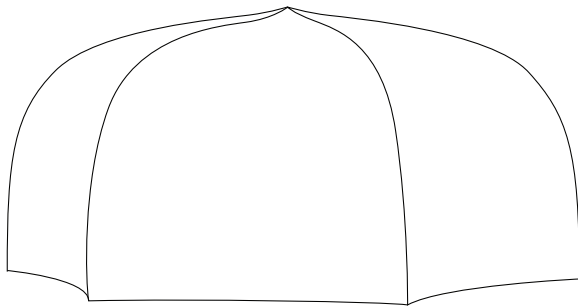
1 x Lamp base



3 x Screw



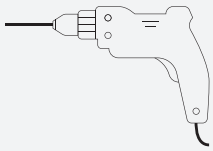
3 x Wallplug



1 x Lampshade

### Tools

#### NEEDED TOOLS



Electrical drill



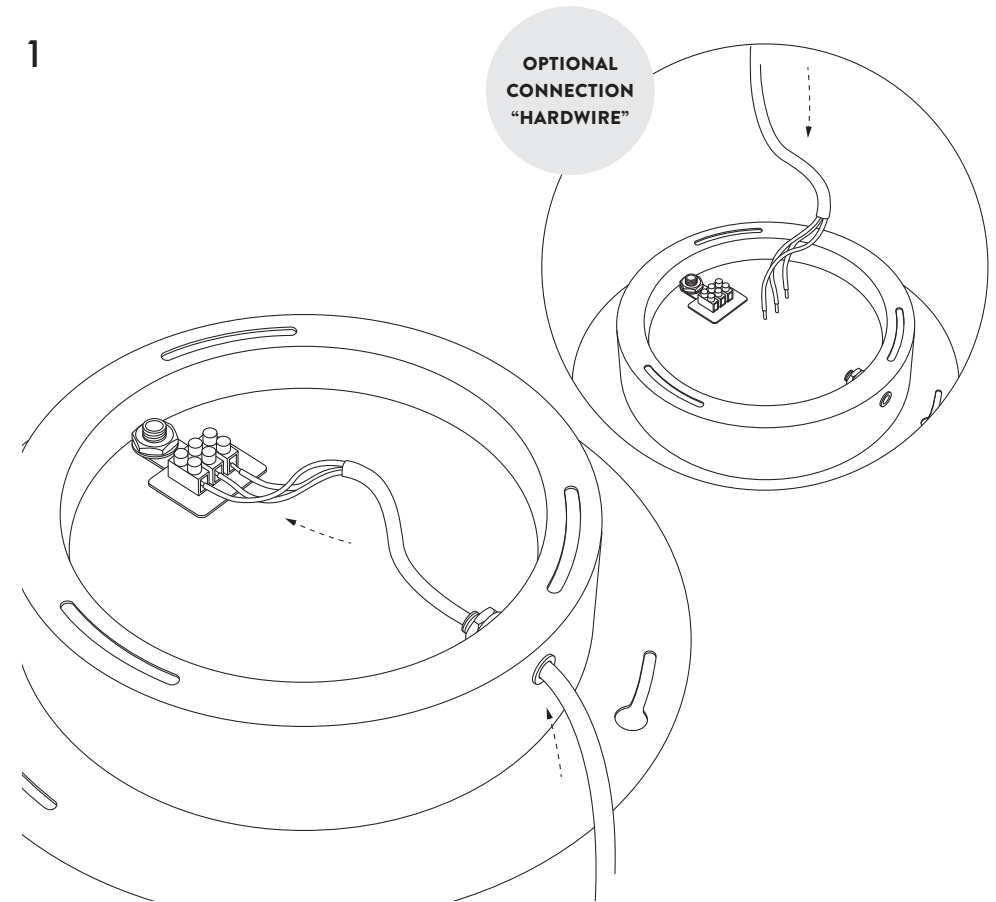
Pencil



Screwdriver star head

## Assembly Process

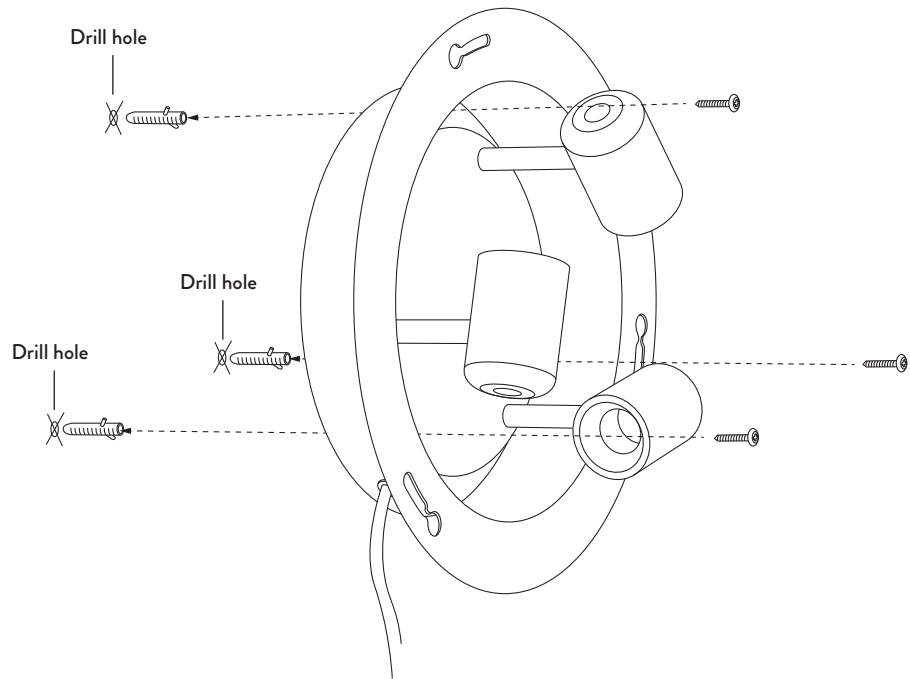
1



Connect the power cable through the hole of the canopy. (Cable not included)  
**OPTIONAL CONNECTION:** Connect the hardwire power cable from the wall/ceiling.

## Assembly Process

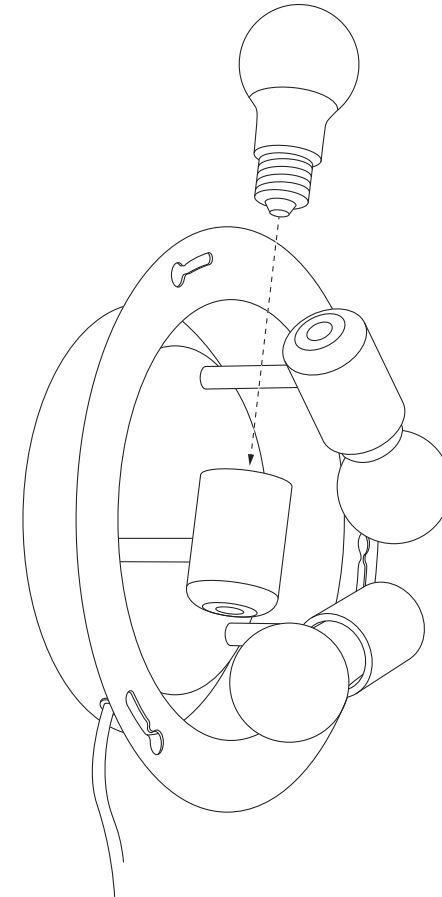
2



Mark and drill three holes where the lamp is to be placed. (Use an electrical drill)  
Set up the lamp base with appropriate screws and three wallplugs.

## Assembly Process

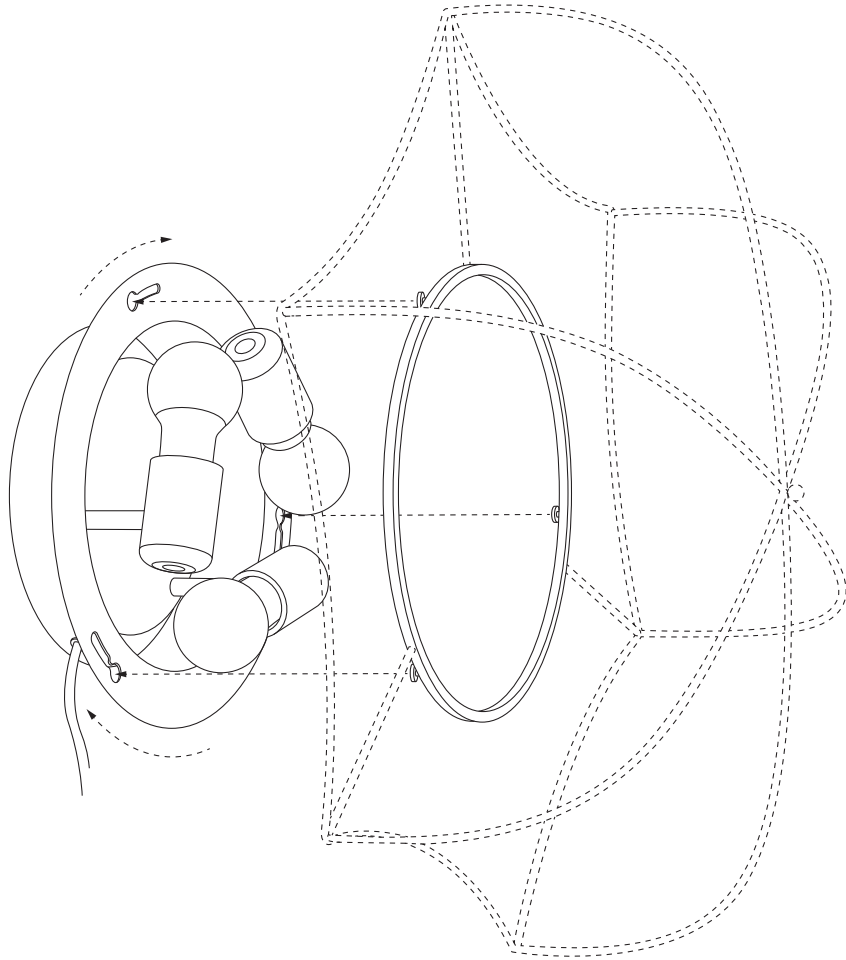
3



Mount three bulb E27 in the lamp.  
(Bulb not included).

## Assembly Process

4



Mount the lampshade on the base.  
Push up and turn it right.

[fermliving.com](http://fermliving.com)