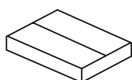




Kave® Cares



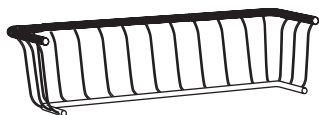
15 min



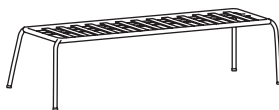
x1



x1



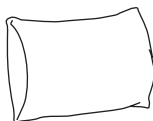
**A x1**



**B x1**



**C x1**



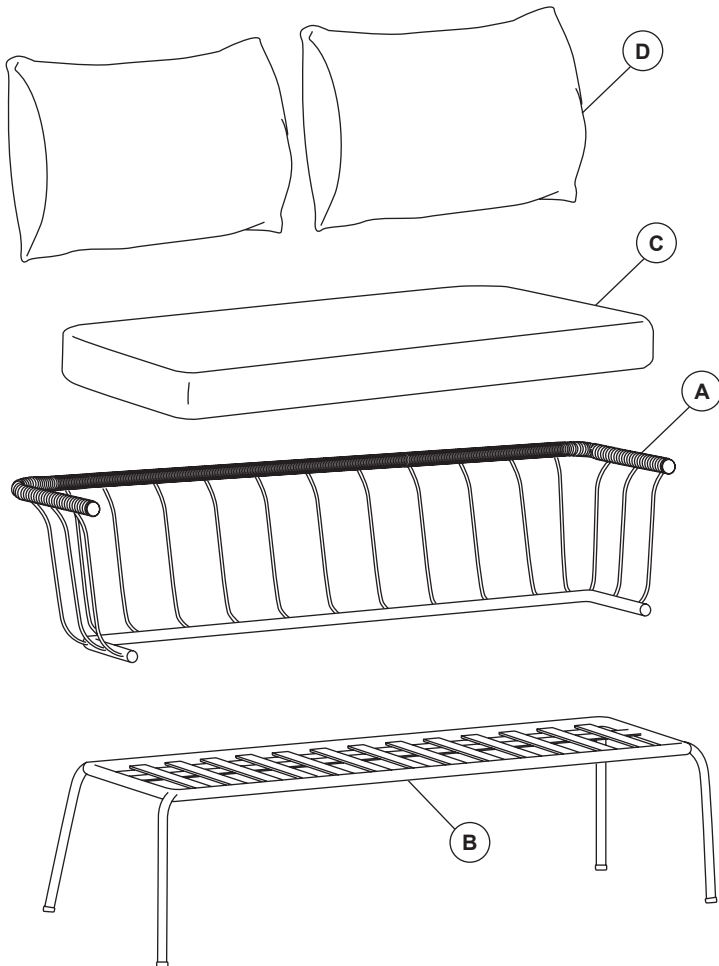
**D x2**



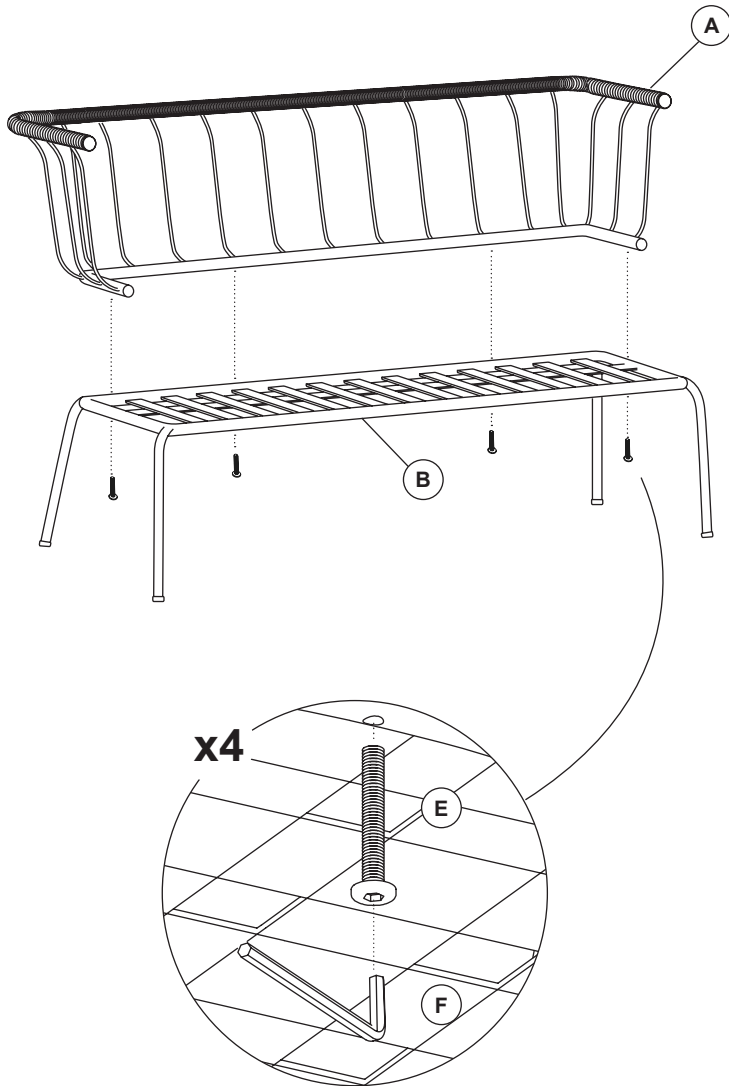
**E x4**  
M6x35mm



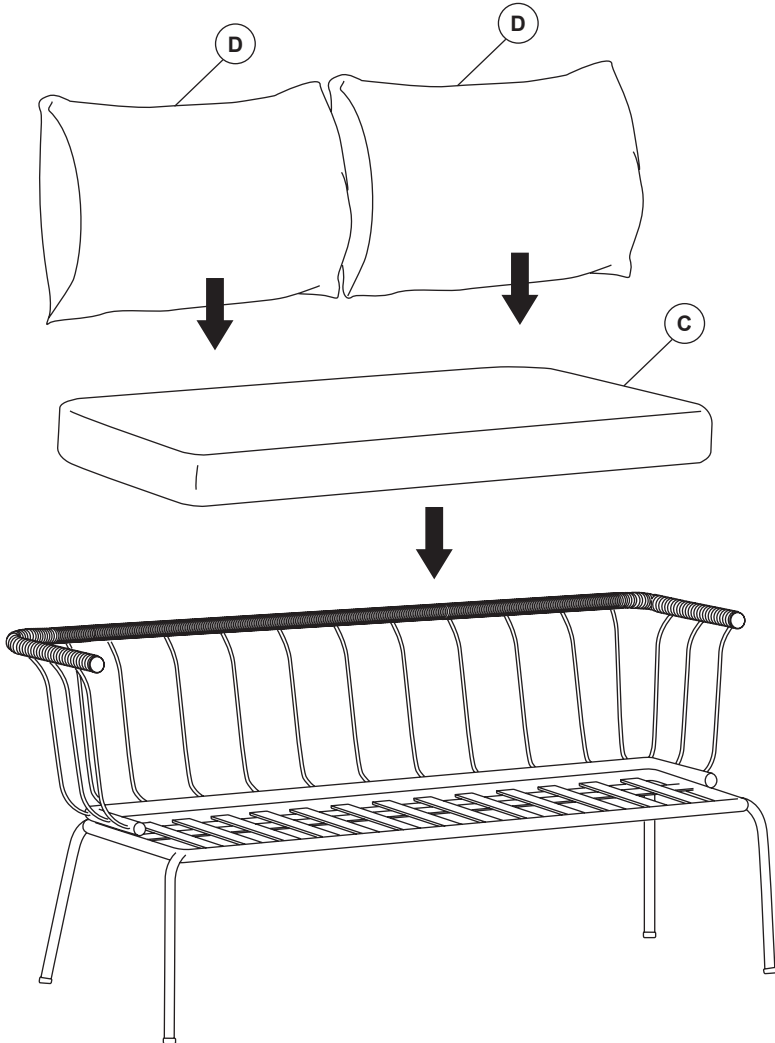
**F x1**

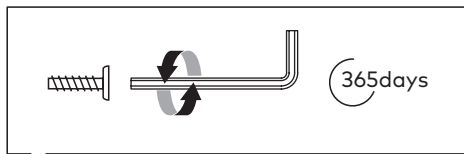
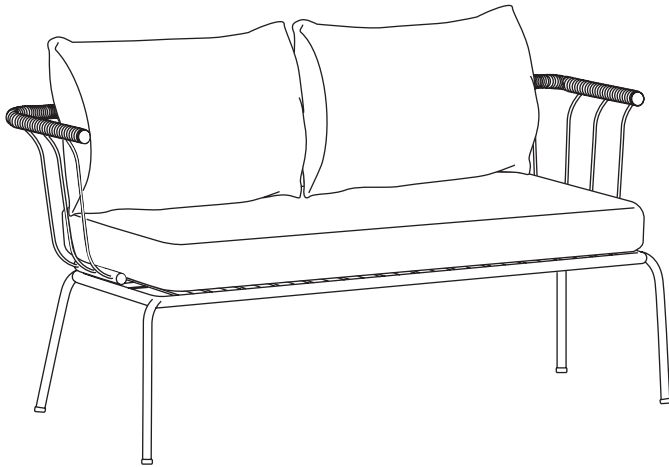


1



2







**THAT'S ALL FOLKS**

Share your style!

#KaveHome

