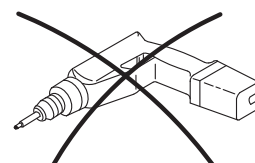
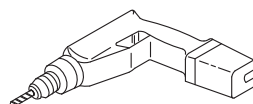
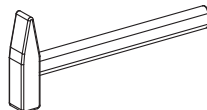
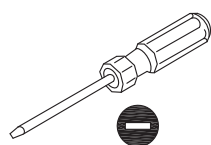
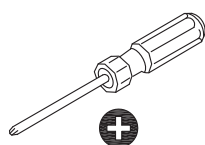
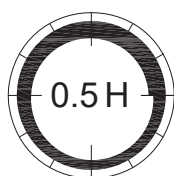
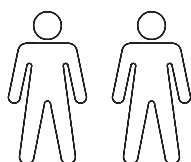
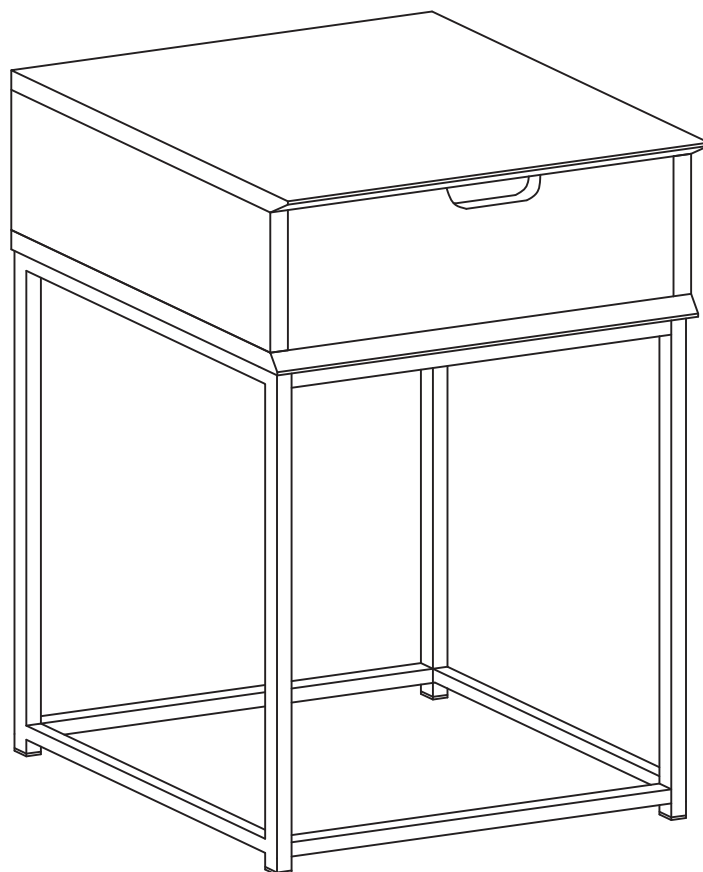
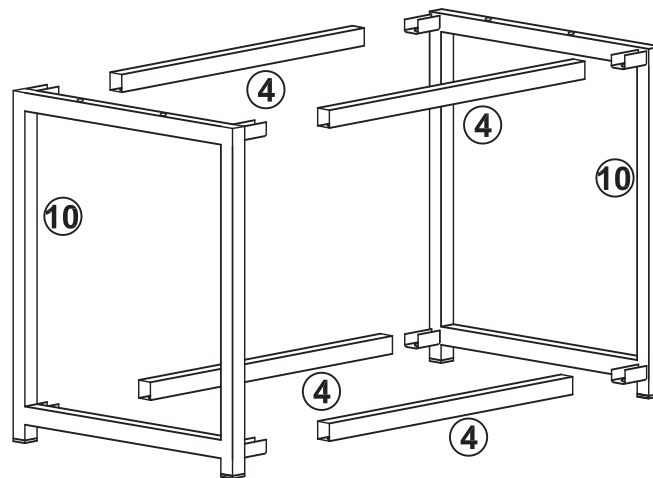
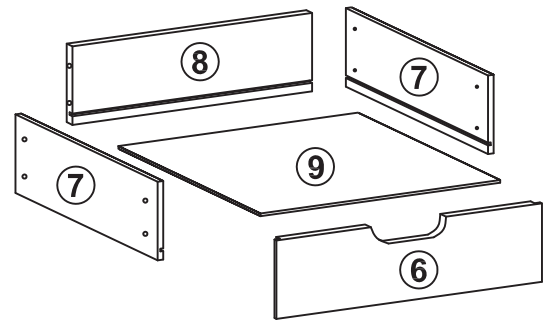
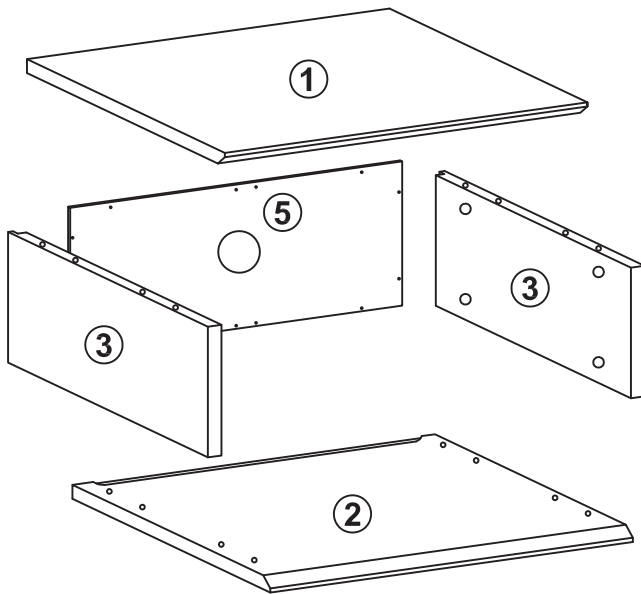


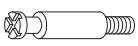


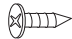
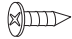
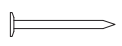








Mitra



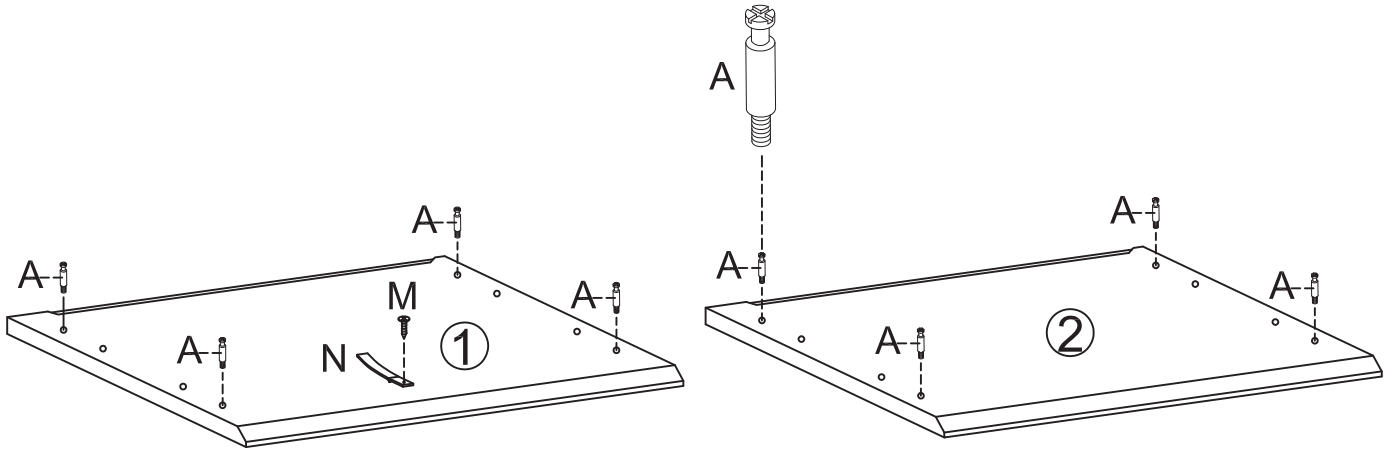
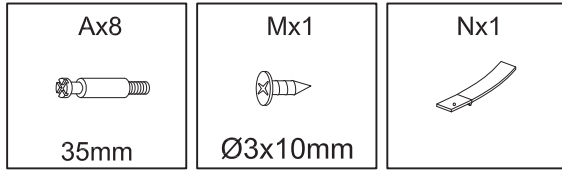
			✓
①	1	400x300x12	
②	1	400x300x12	
③	2	290x143x12	
④	4	363x16x16	
⑤	1	391x158x3	
⑥	1	374x141x15	
⑦	2	282x140x9	

			✓
⑧	1	354x132x9	
⑨	1	361x269x3	
⑩	2	295x445x50	

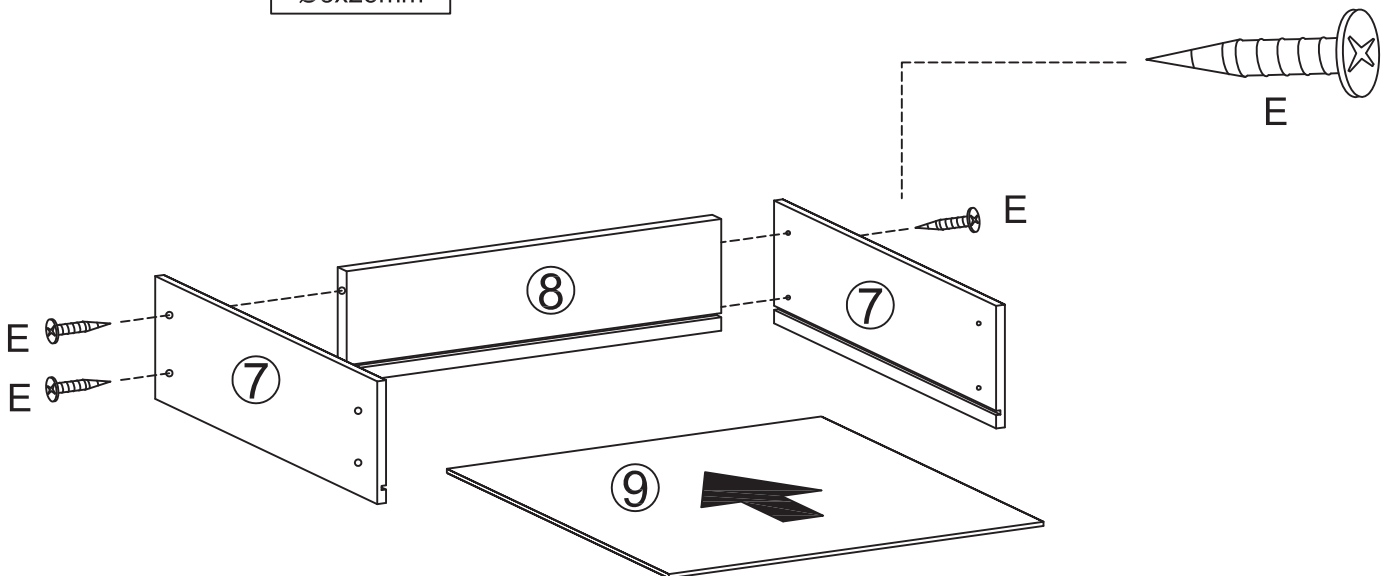
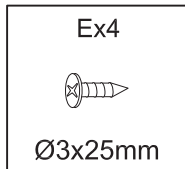


<p>Ax8</p>  <p>35mm</p>	<p>Bx8</p>  <p>Ø15x10mm</p>	<p>Cx8</p>  <p>Ø6x30mm</p>	<p>Dx4</p>  <p>Ø4x25mm</p>	<p>Ex8</p>  <p>Ø3x25mm</p>	<p>Fx10</p>  <p>Ø1x16mm</p>
<p>Gx16</p>  <p>Ø6x15mm</p>	<p>Hx1</p>  <p>Ø3x16mm</p>	<p>Ix1</p>  <p>170mm</p>	<p>Jx8</p> 	<p>Kx2</p> 	<p>Lx2</p> 
<p>Mx1</p>  <p>Ø3x10mm</p>	<p>Nx1</p> 				

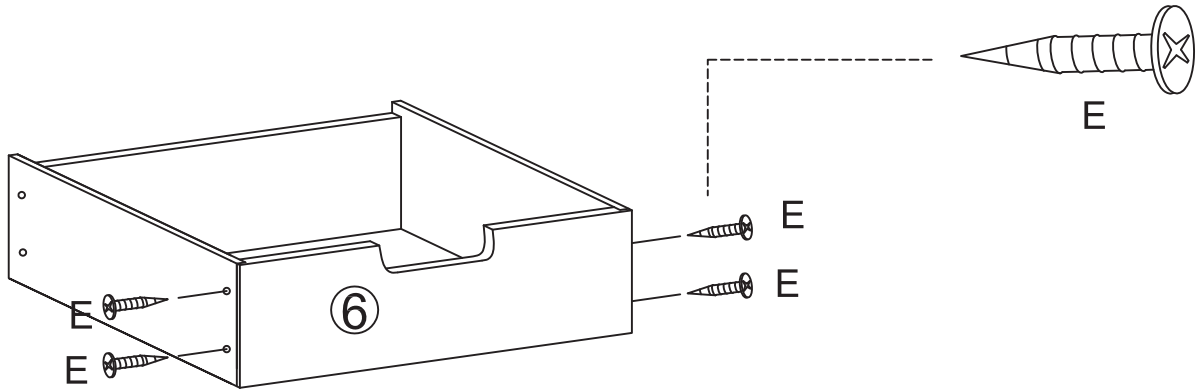
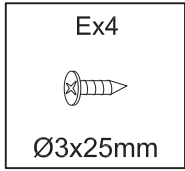
1



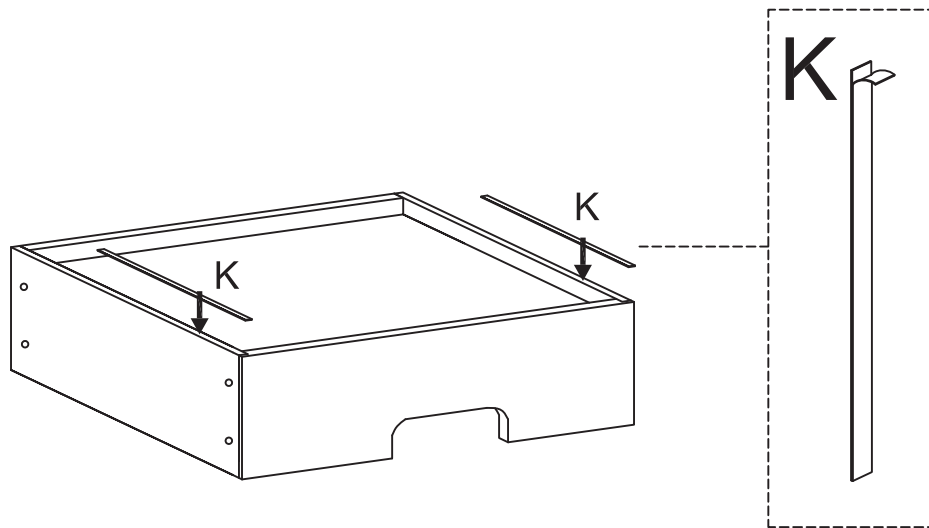
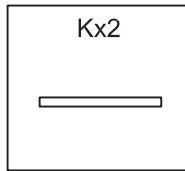
2






3

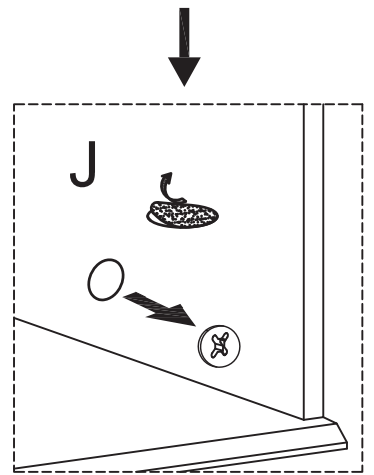
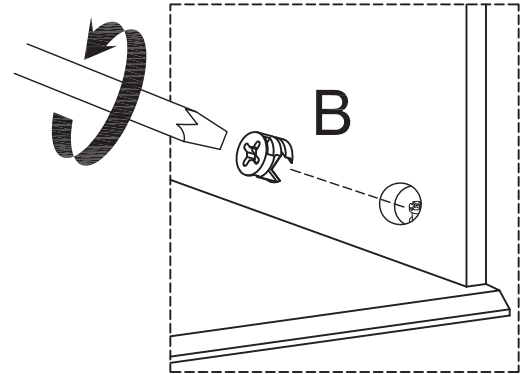
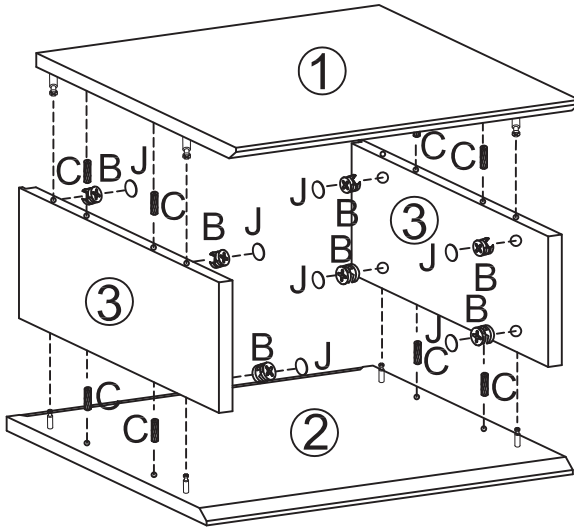


4

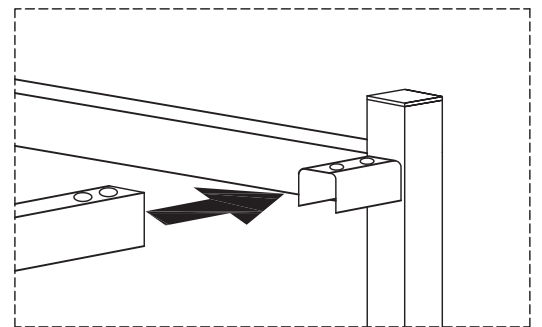
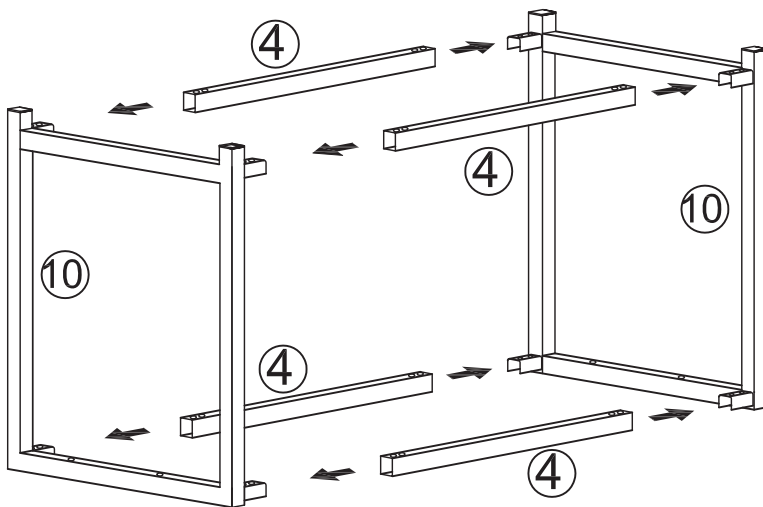


5

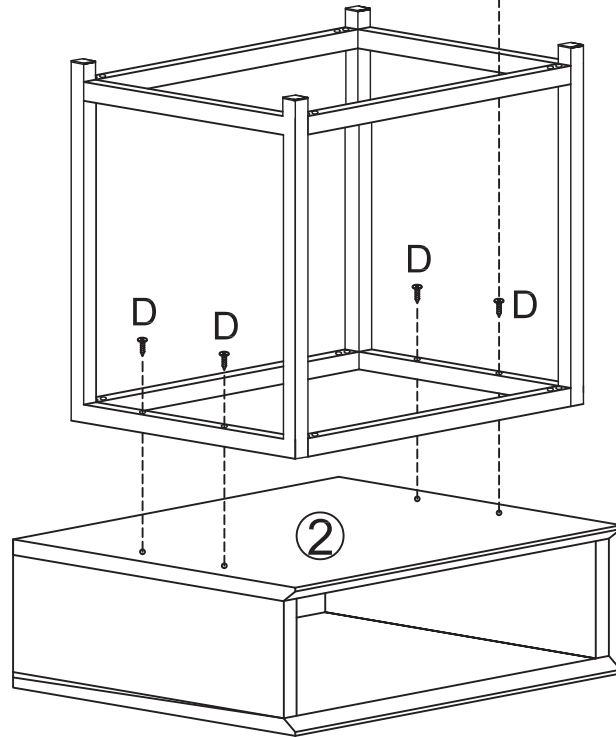
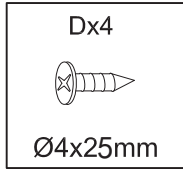
Bx8  Ø15x10mm	Cx8  Ø6x30mm	Jx8 
--	---	--



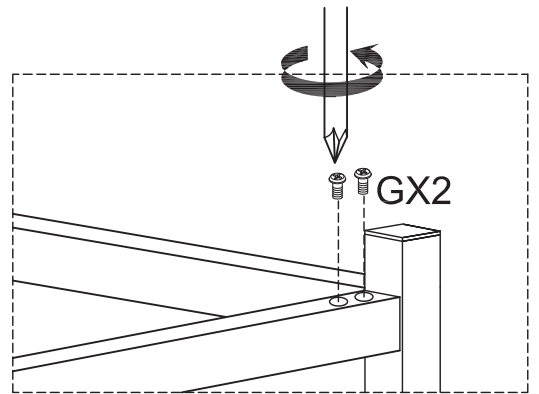
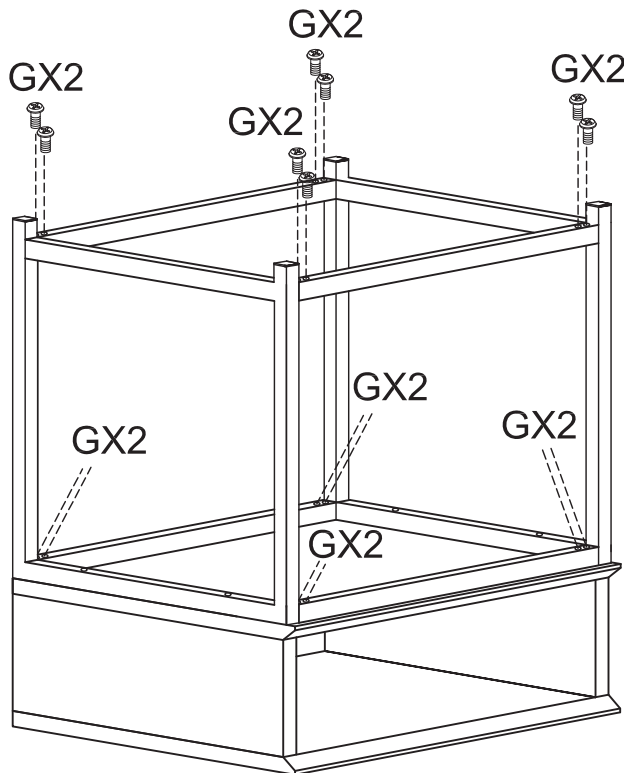
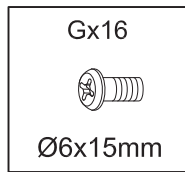
6







7

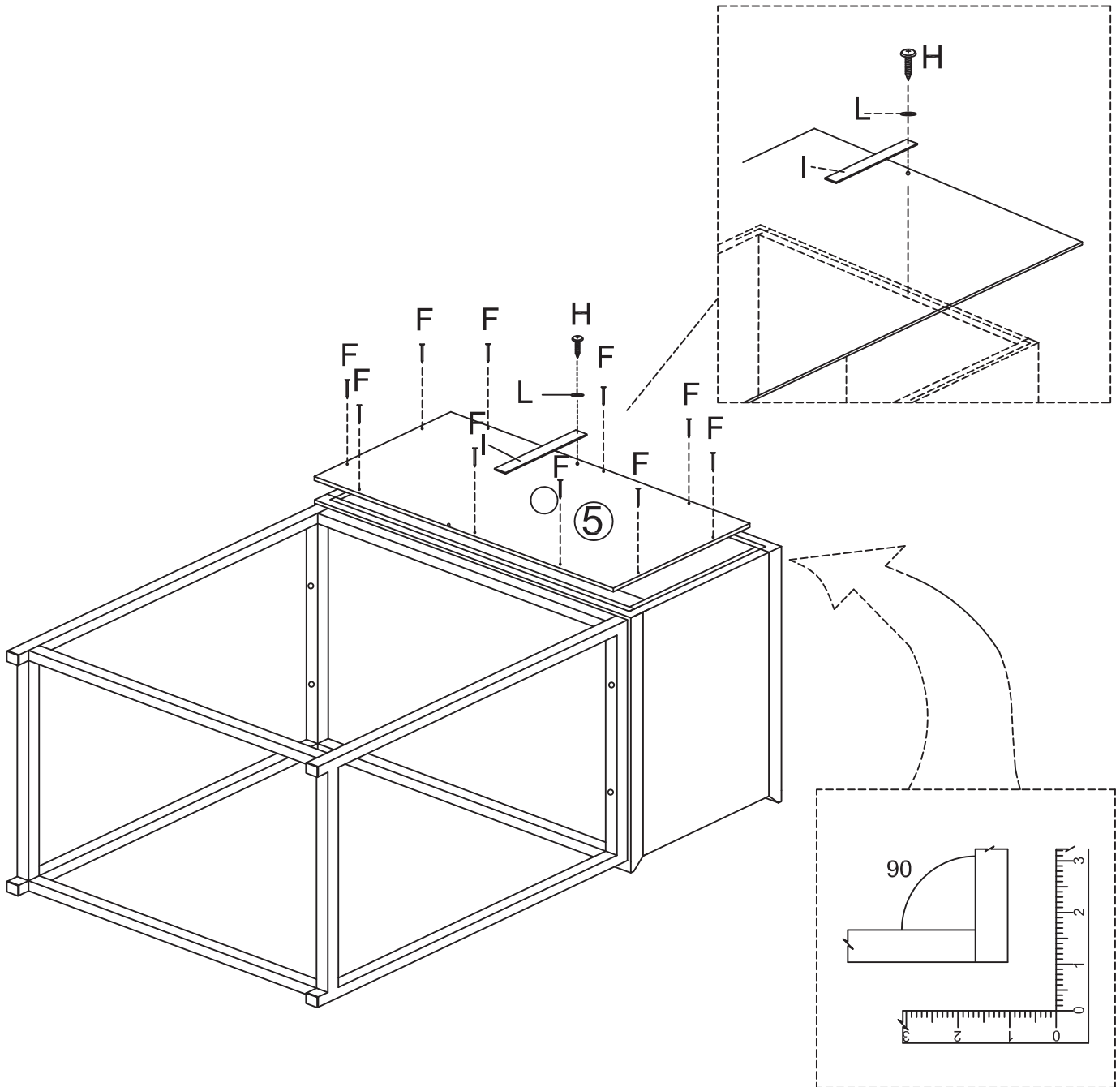
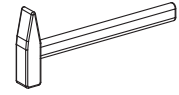


8



9

F10  Ø1.6x16mm	Hx1  Ø3x16mm	Ix1  170mm	Lx1 
---	---	---	--



10

