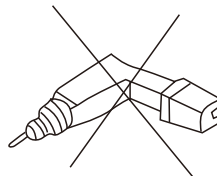
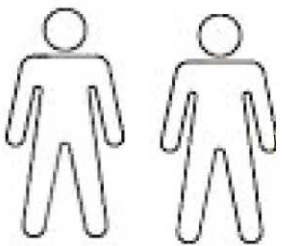




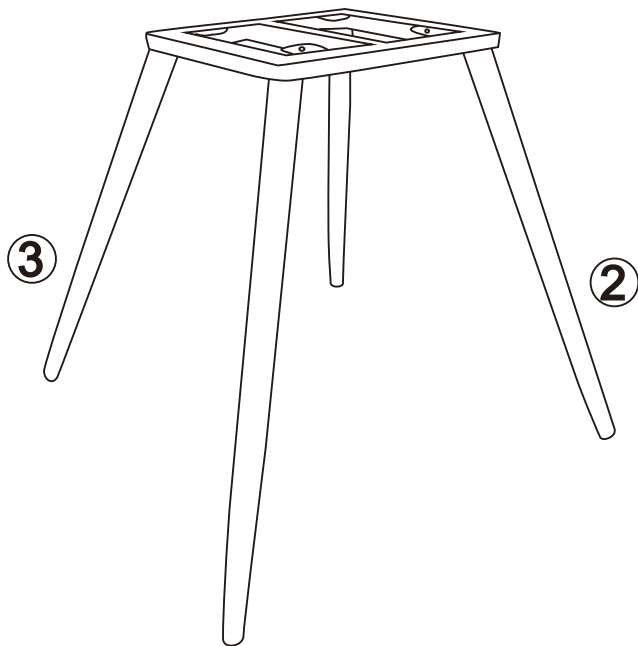
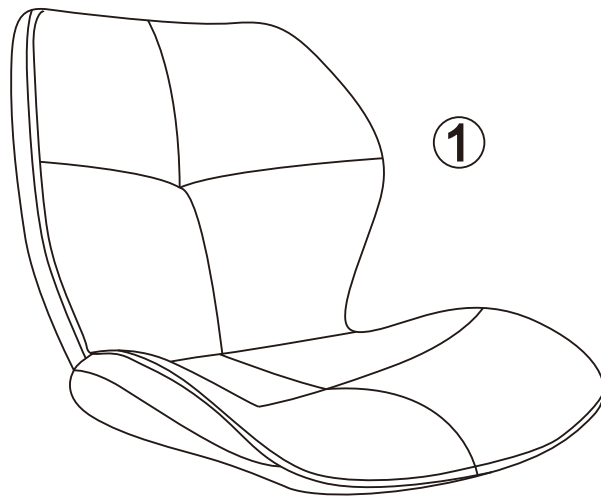


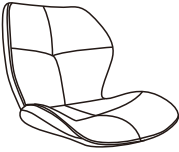
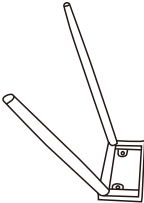
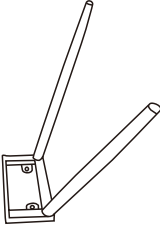

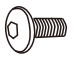


# Petri



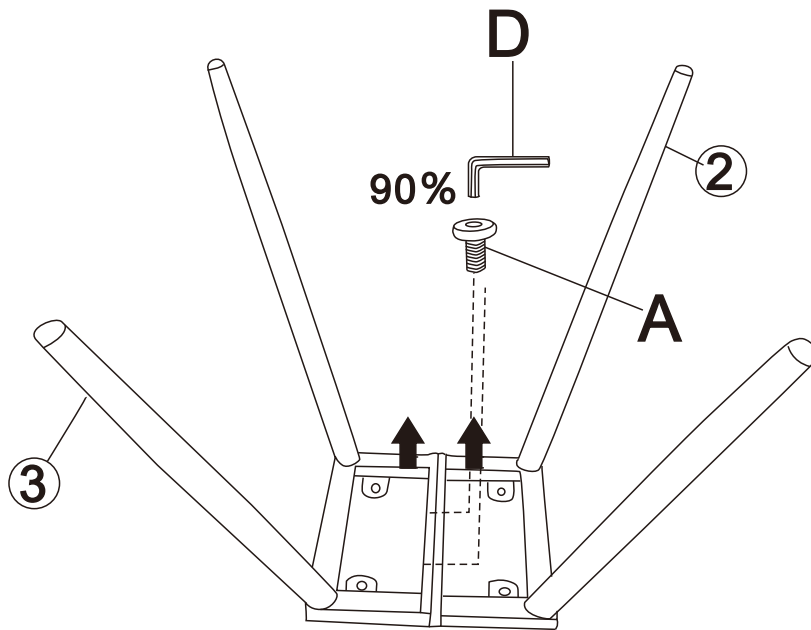
①	1	560*485*400MM	
②	1	490*475*115MM	
③	1	490*475*115MM	


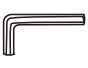
<b>A*2</b>	<b>B*4</b>	<b>C*4</b>	<b>D*1</b>
			
<b>M8*16MM</b>	<b>M6*16MM</b>	$\varnothing$ (16-6) *1MM	<b>5MM</b>



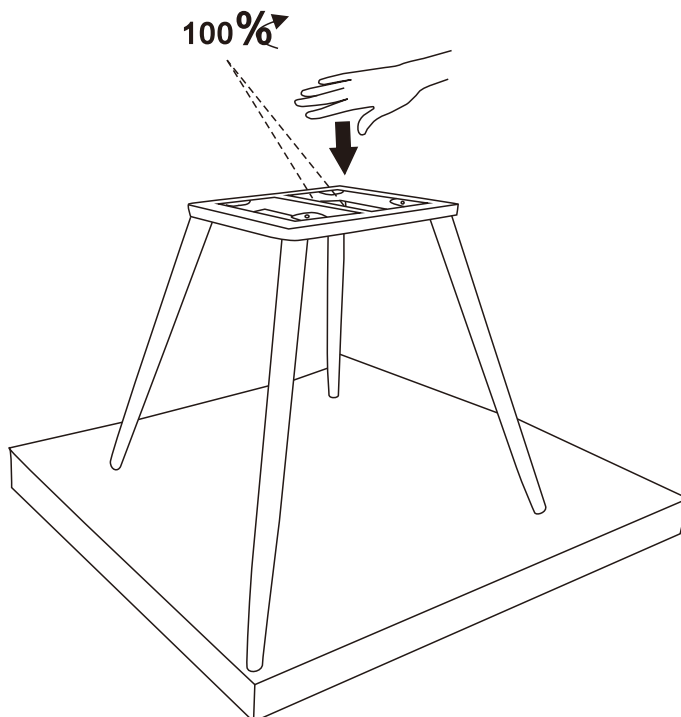
<p>①*1</p> 	<p>②*1</p> 	<p>③*1</p> 	<p>A*2</p>  <p>M8*16MM</p>	<p>B*4</p>  <p>M6*16MM</p>	<p>C*4</p>  <p>φ (16-6) *1MM</p>	<p>D*1</p>  <p>5MM</p>
---	--	--	---	--	---	---

1






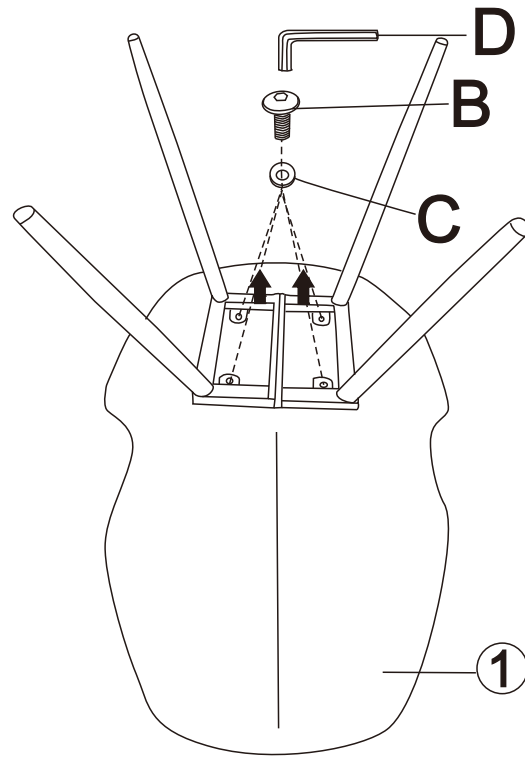
<p>A*2</p>  <p>M8*16MM</p>	<p>D*1</p>  <p>5MM</p>
---	---

2



3

<b>B*4</b>  <b>M6*16MM</b>	<b>C*4</b>  <b>φ (16-8) *1MM</b>	<b>D*1</b>  <b>5MM</b>
---	---	---



4

