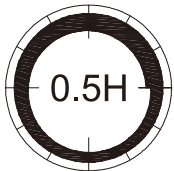
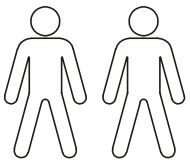
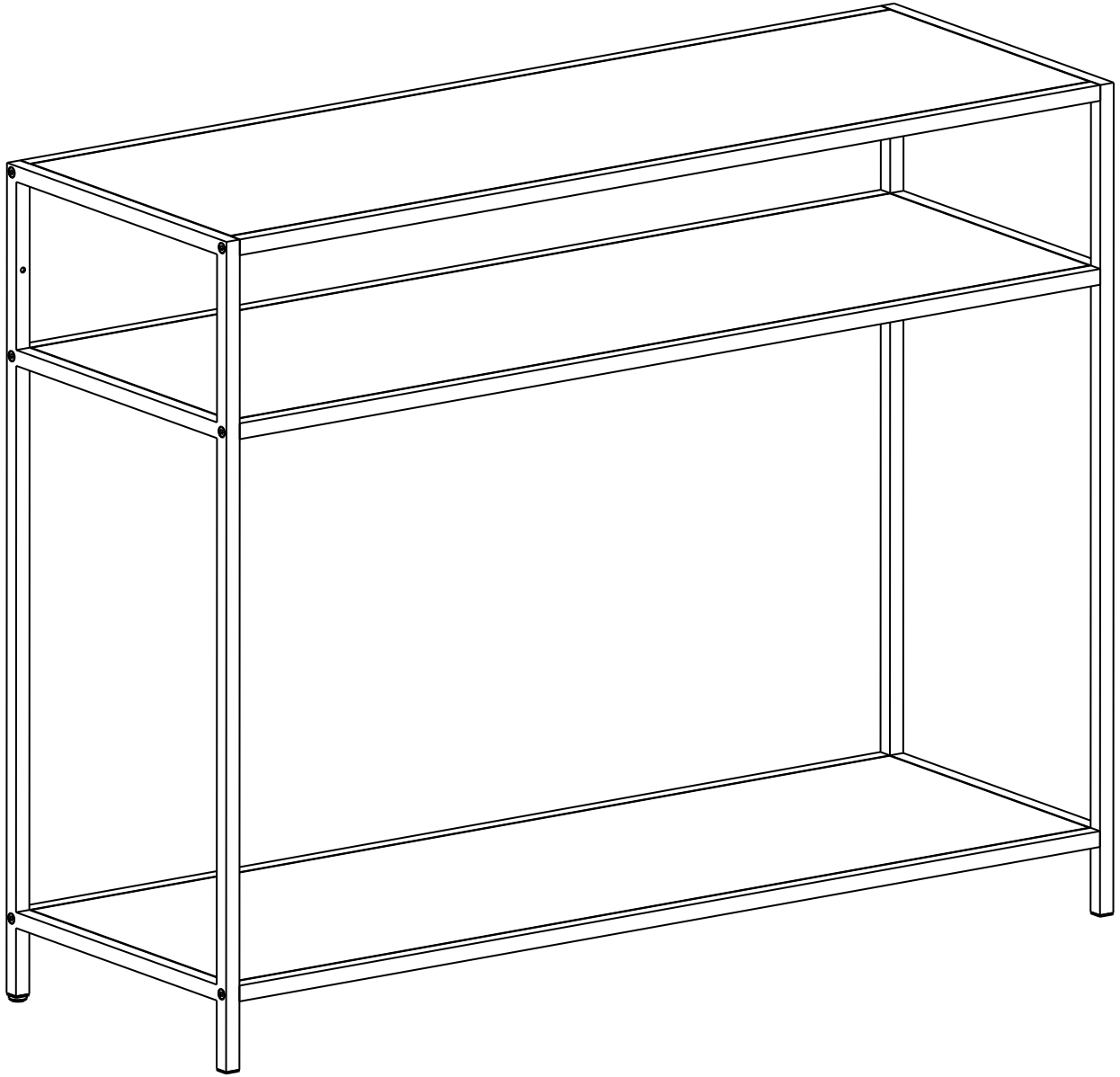
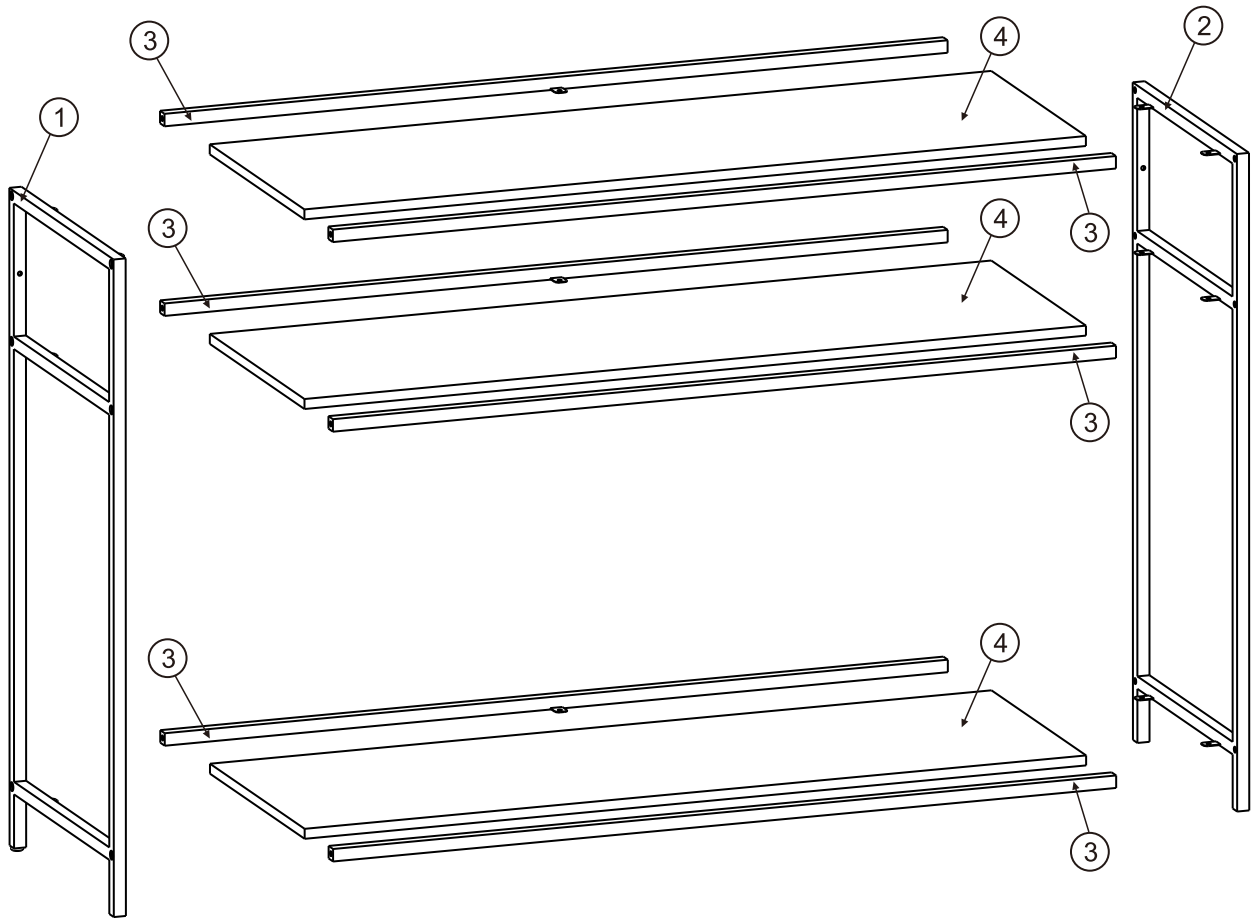


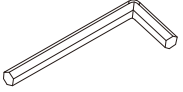


SEAFORD





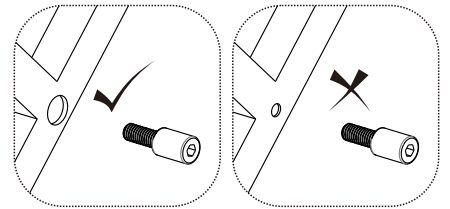
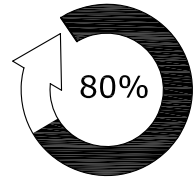
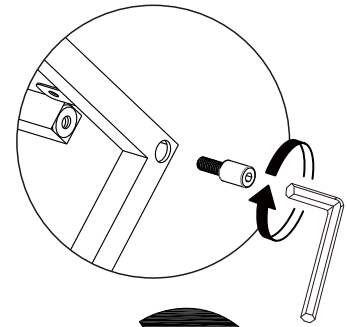
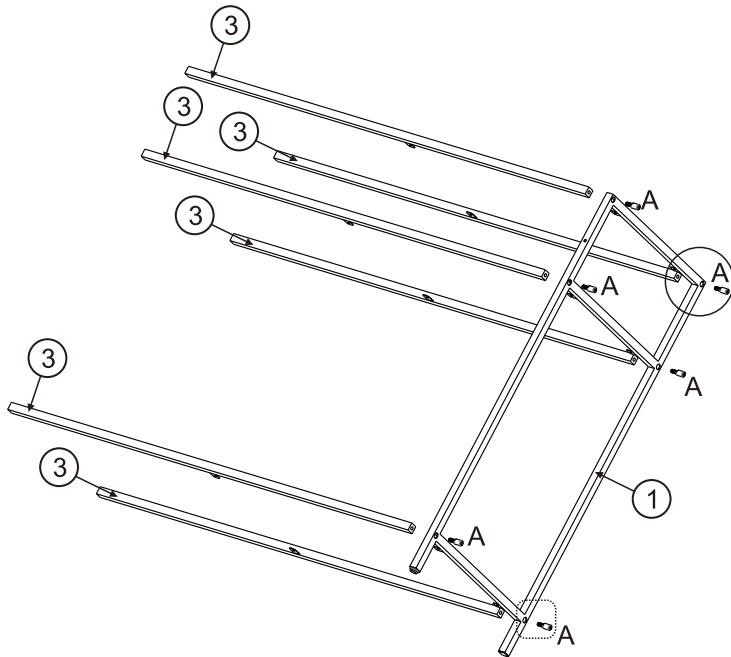
			✓
①	1	350 x 790 x 36	
②	1	350 x 790 x 36	
③	6	968 x 16 x 36	
④	3	967 x 316 x 12	




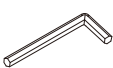
<p>A x 12</p>  <p>M6 x 15mm</p>	<p>B x 18</p>  <p>4.2 x 10mm</p>	<p>C x 1</p>  <p>4mm</p>
--	---	---

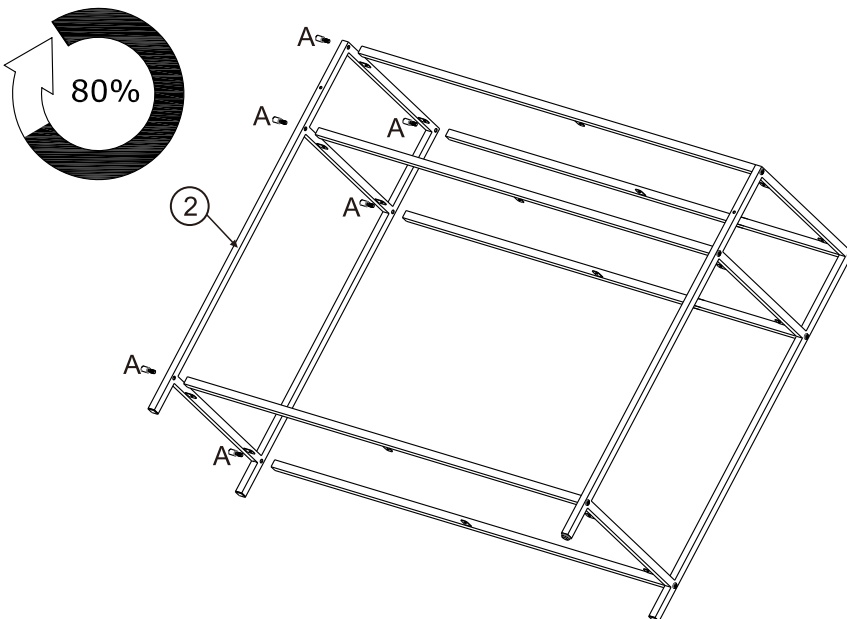
1

A x 6  M6 x 15mm	C x 1  4mm
---	---



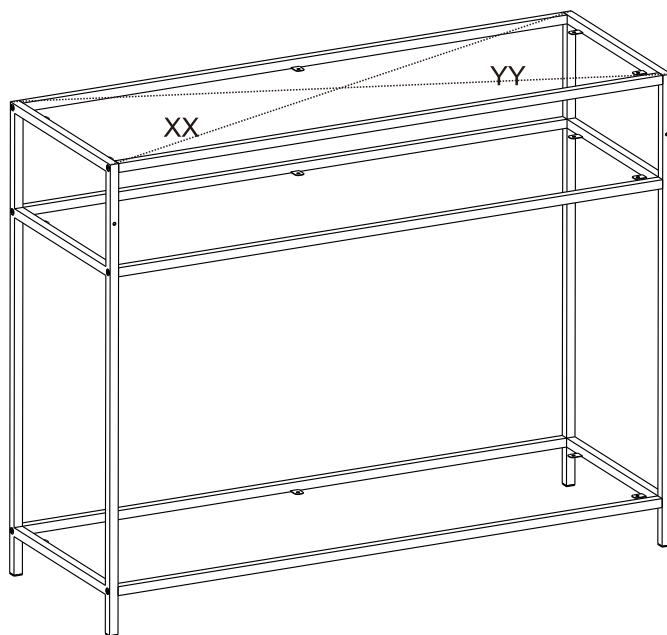
2

A x 6  M6 x 15mm	C x 1  4mm
---	---

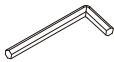



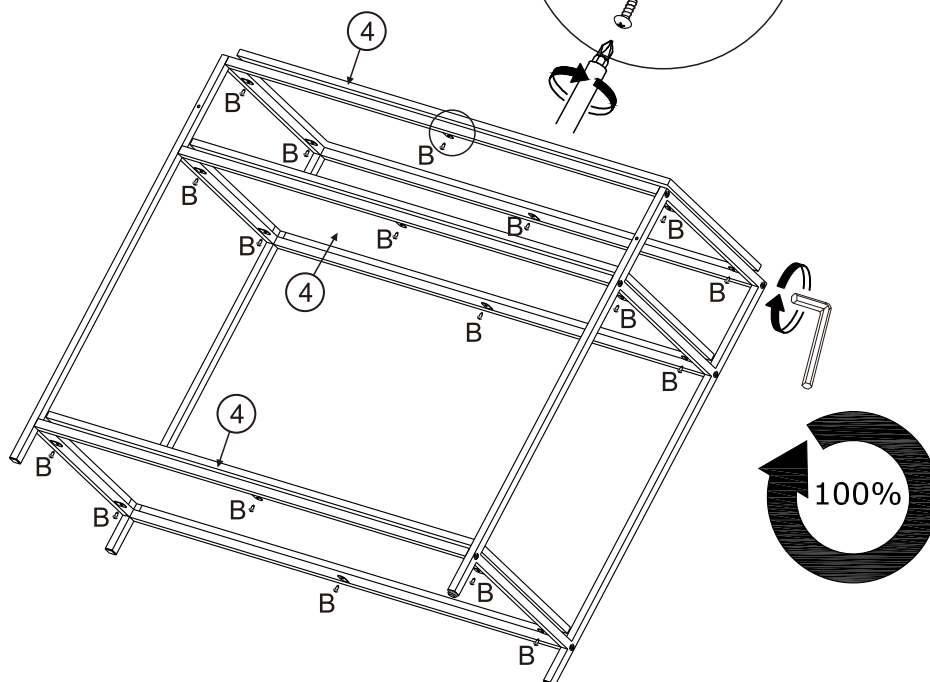
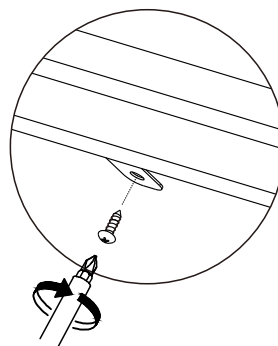
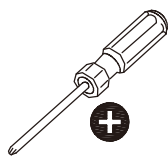
3

 XX=YY



4

C x 1	B x 18
	
4mm	4.2 x 10mm



5

