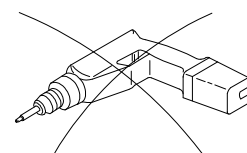
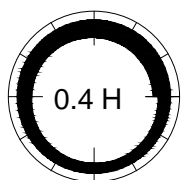
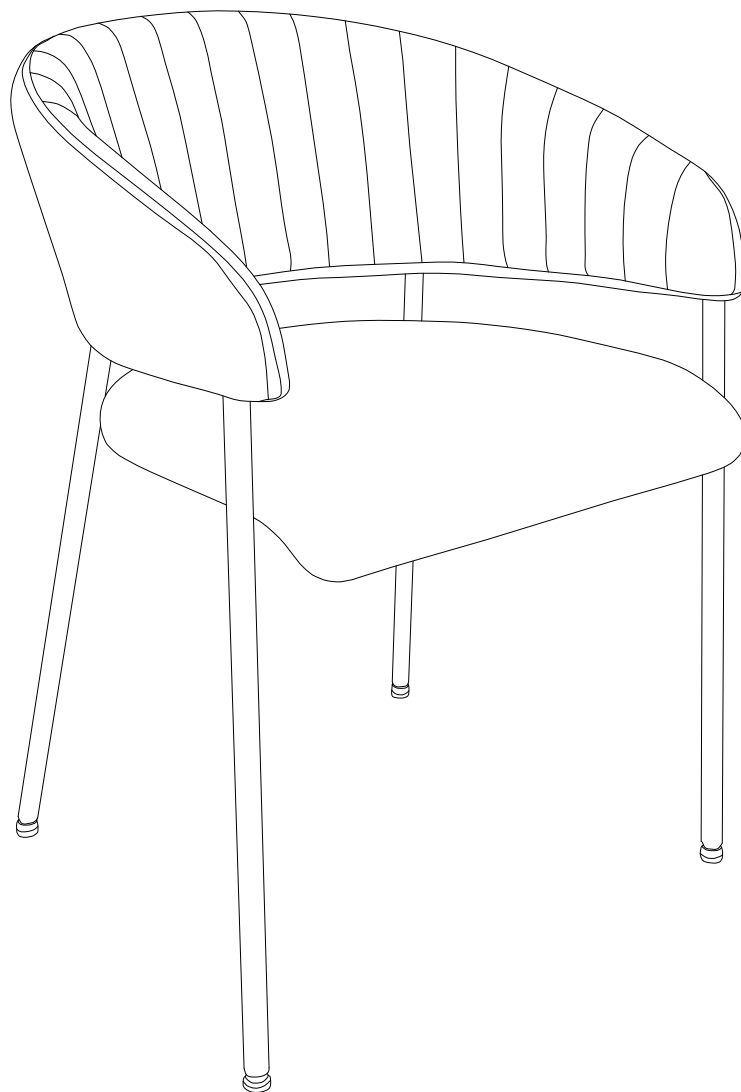
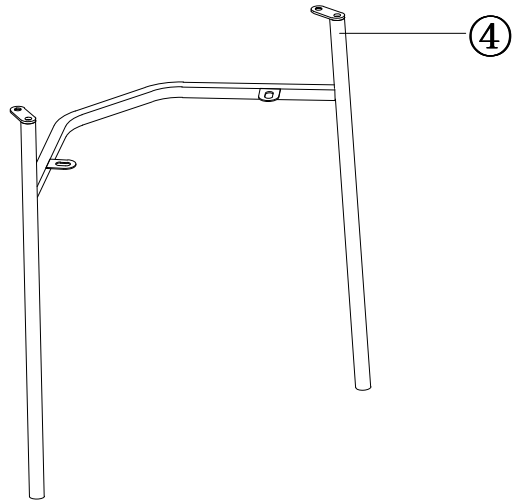
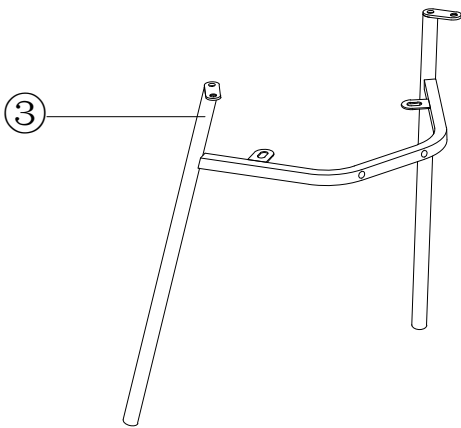
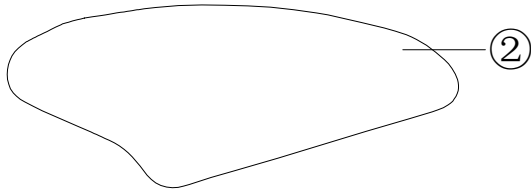
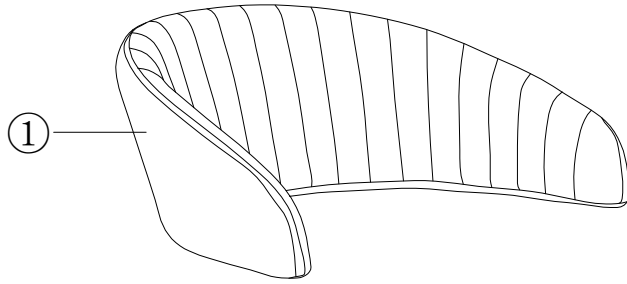
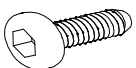
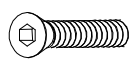
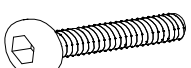

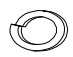




# ANN

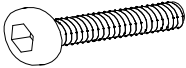

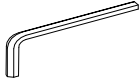



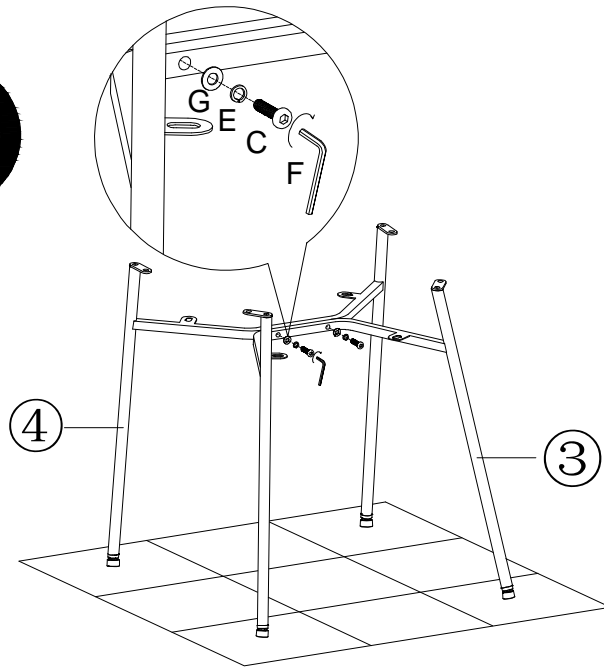
			✓
①	1	485*530*255	
②	1	465*465*70	
③	1	475*175*550	
④	1	540*185*480	




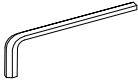
<p>Ax4</p>  <p>M6x16mm</p>	<p>Bx4</p>  <p>M6x16mm</p>	<p>Cx2</p>  <p>M6x30mm</p>	<p>Dx4</p>  <p>M6x18mm</p>	<p>Ex2</p>  <p>M6x10mm</p>
<p>Fx1</p>  <p>M4</p>	<p>Gx2</p>  <p>M6x14mm</p>			

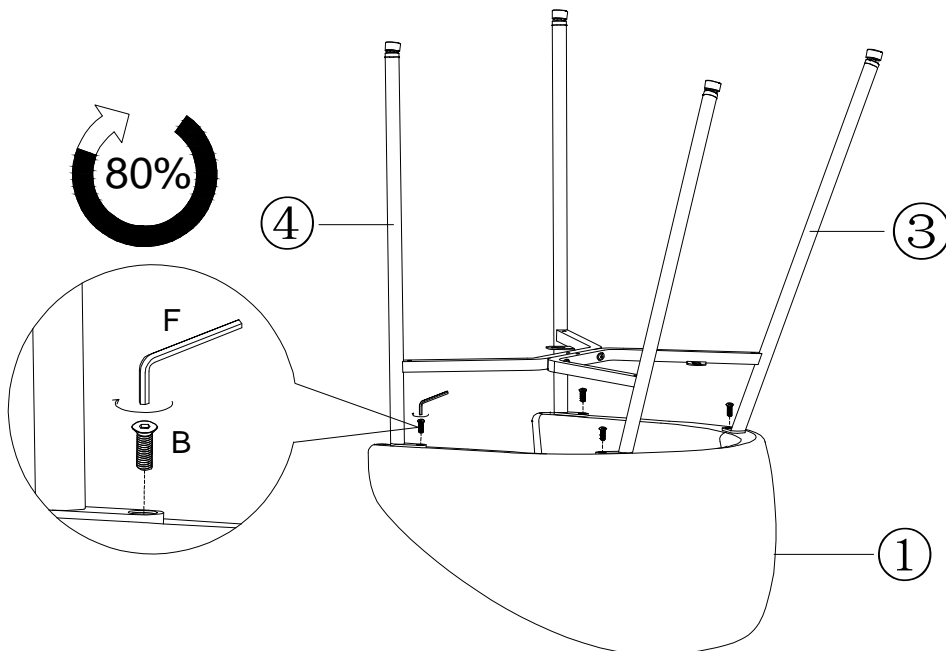
# 1

Cx2  M6x30mm	Ex2  M6x10mm	Fx1  M4	Gx2  M6x14mm
---	---	--	---

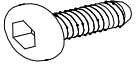
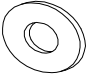
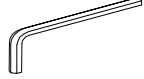


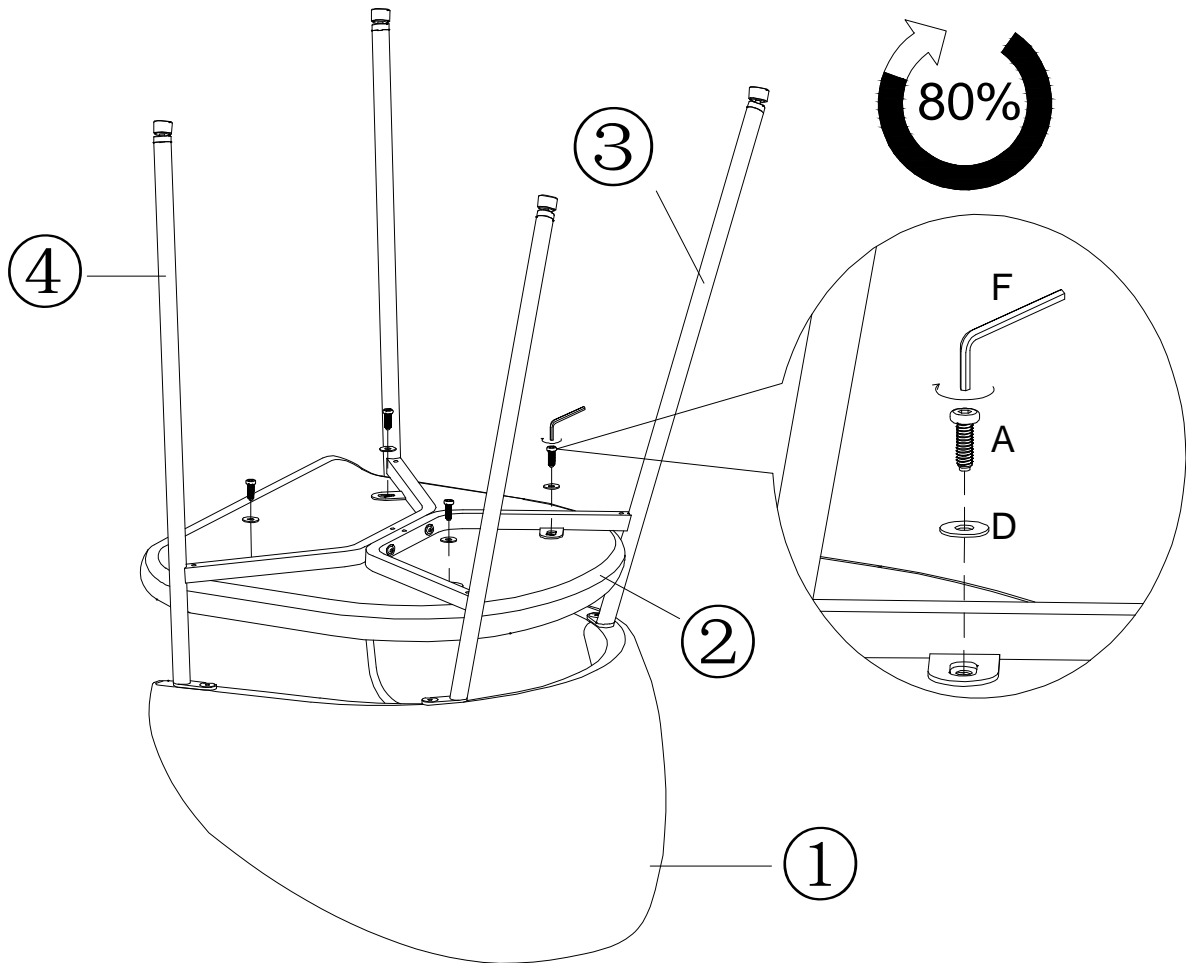
# 2

Bx4  M6x16mm	Fx1  M4
---	--

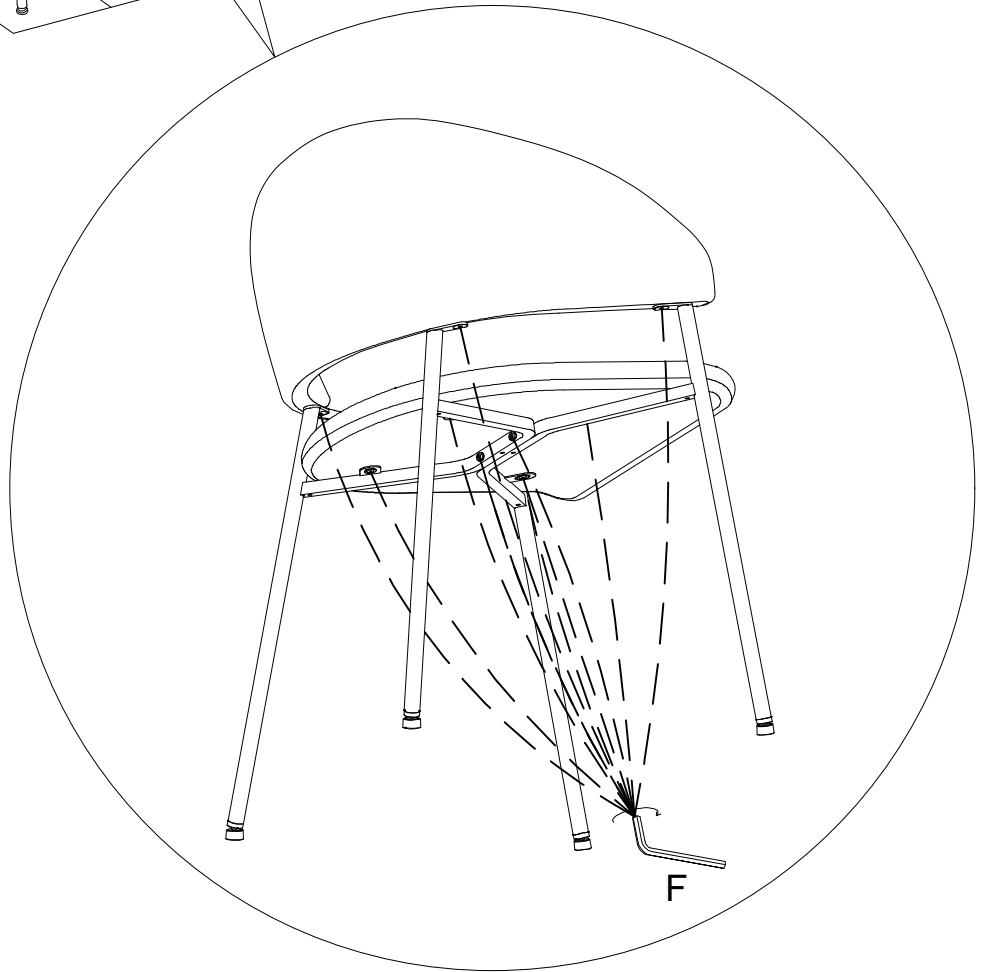
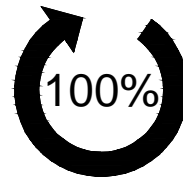
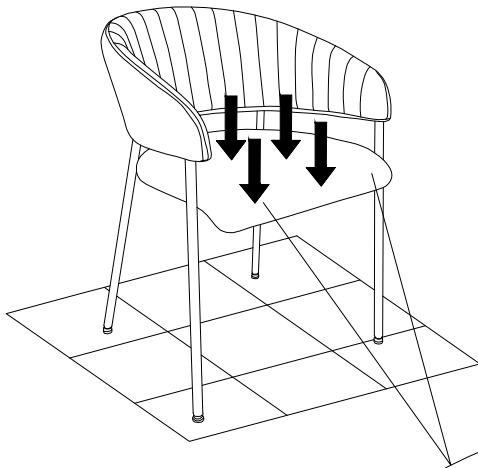
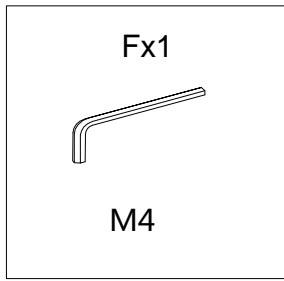


# 3

<p>Ax4</p>  <p>M6x16mm</p>	<p>Dx4</p>  <p>M6x18mm</p>	<p>Fx1</p>  <p>M4</p>
---	---	--



4



5

