
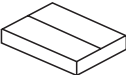


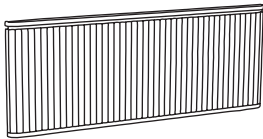


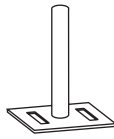


Kave® Cares

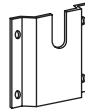
 20 min	 x1	 x2	 x1
---	---	---	---



A x1



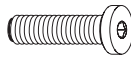
B x2



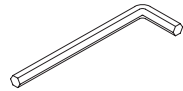
C x2



D x4
8x22mm



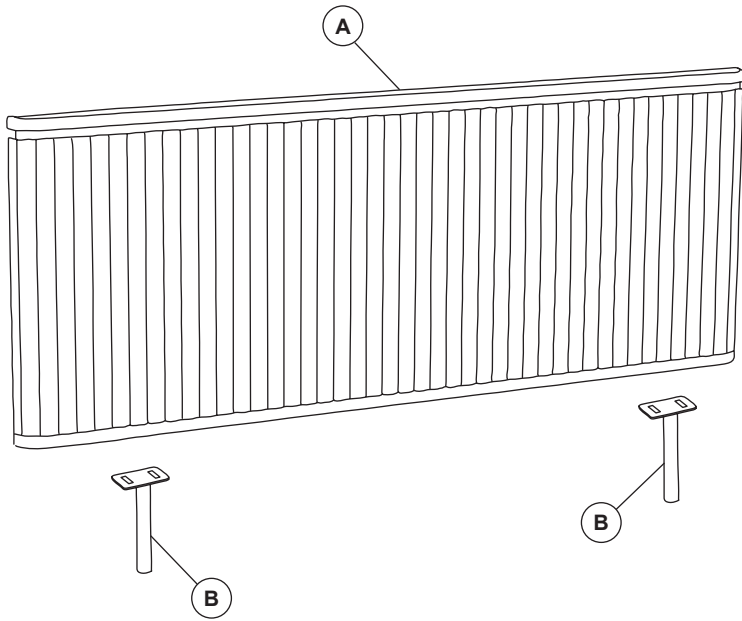
E x4
6x20mm



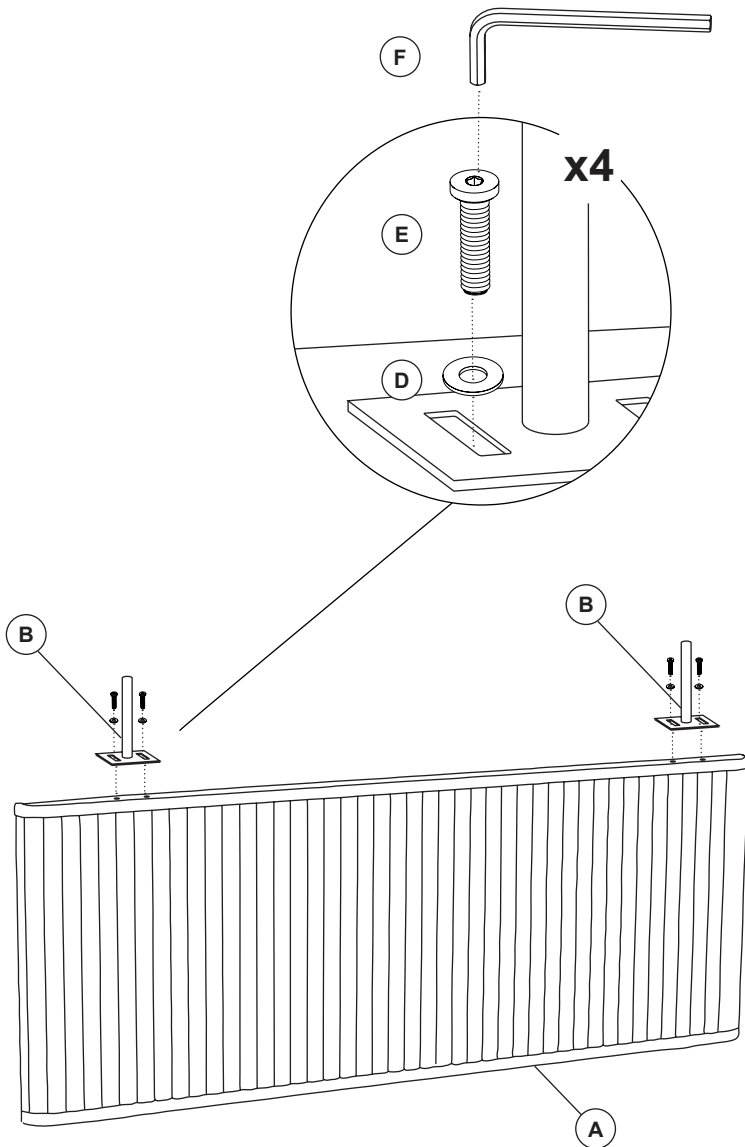
F x1



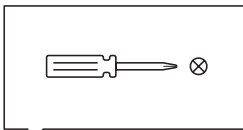
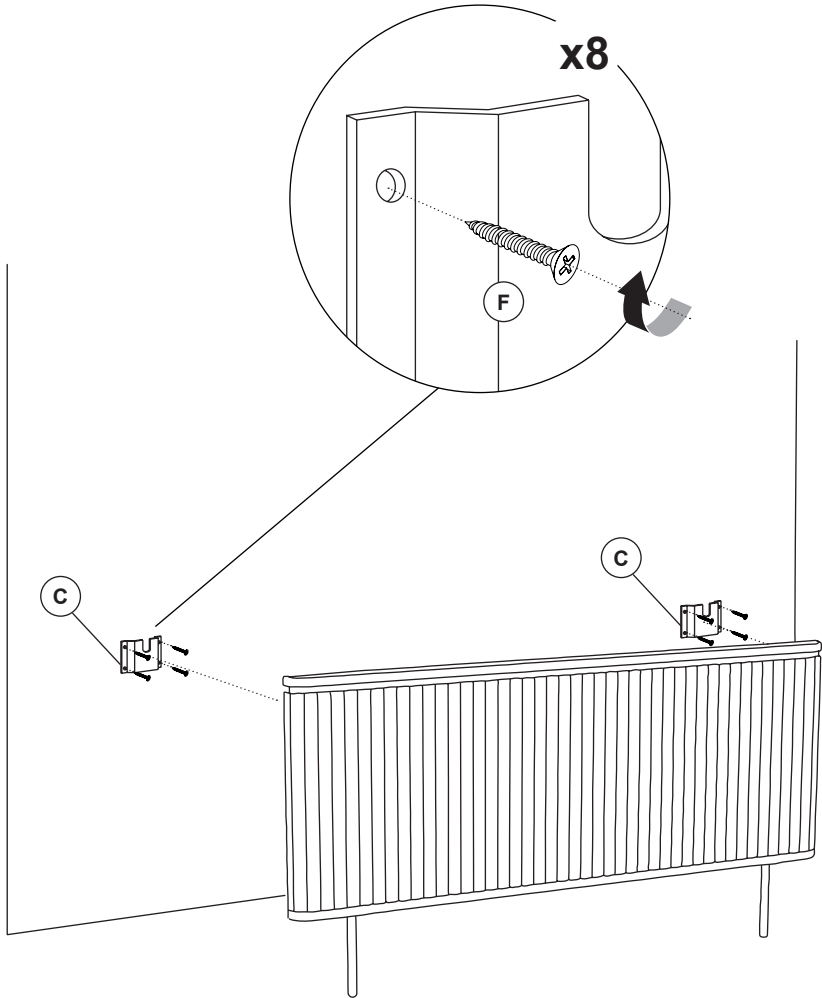
E x8

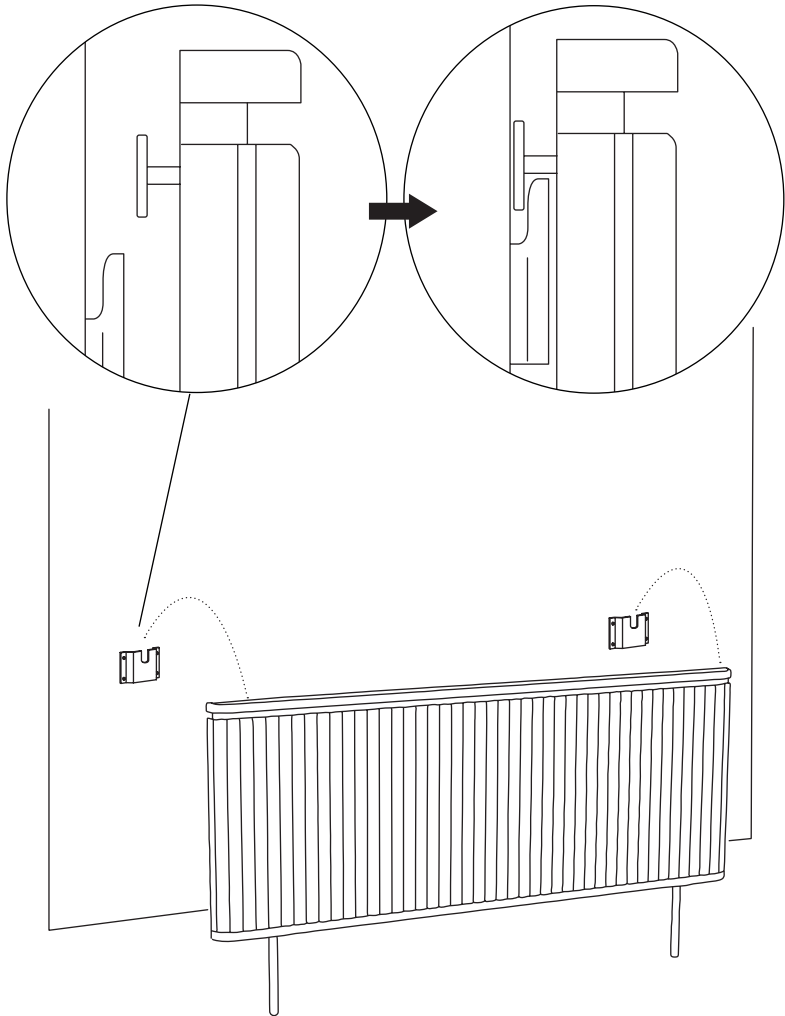


1



2







THAT'S ALL FOLKS

Share your style!

#KaveHome

