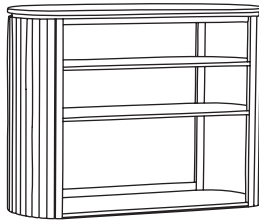
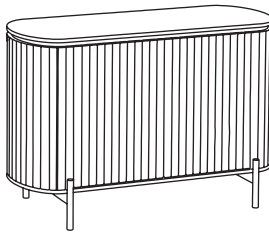




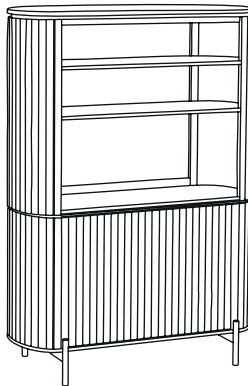
Kave® Cares



P. 4



P. 7

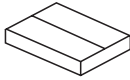


P. 11





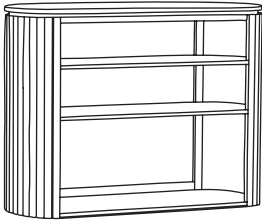
10 min



x1



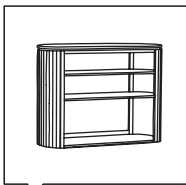
x2



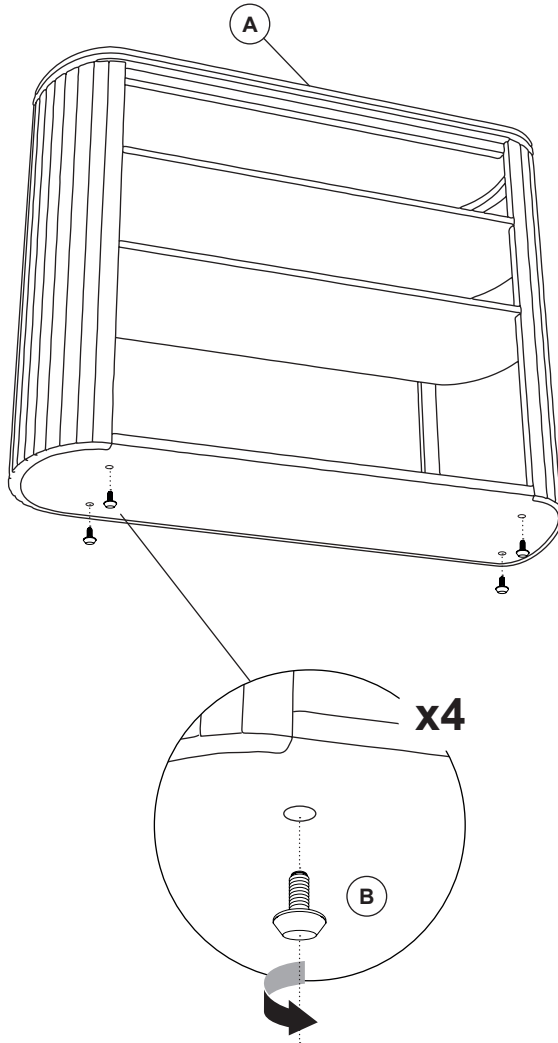
**A x1**

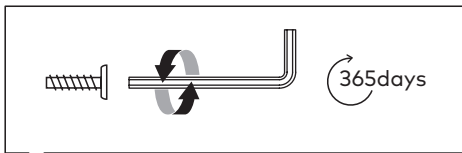
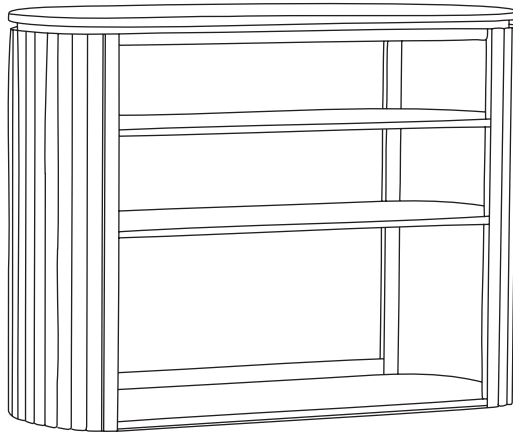


**B x4**



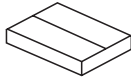
1







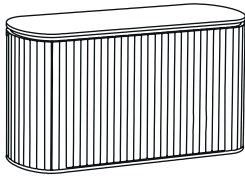
20 min



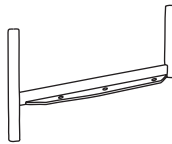
x1



x2



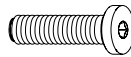
**A** x1



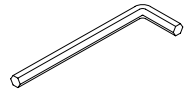
**B** x2



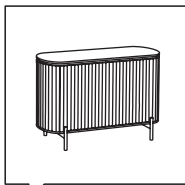
**C** x6  
8x22mm

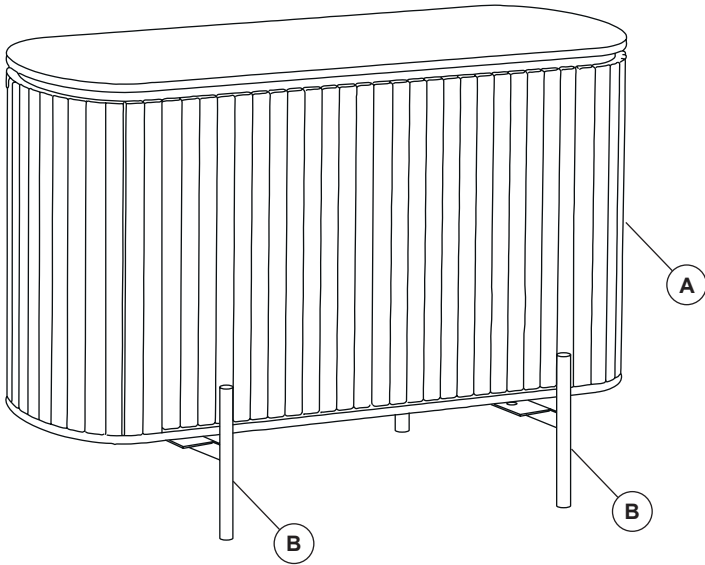


**D** x6  
6x16mm



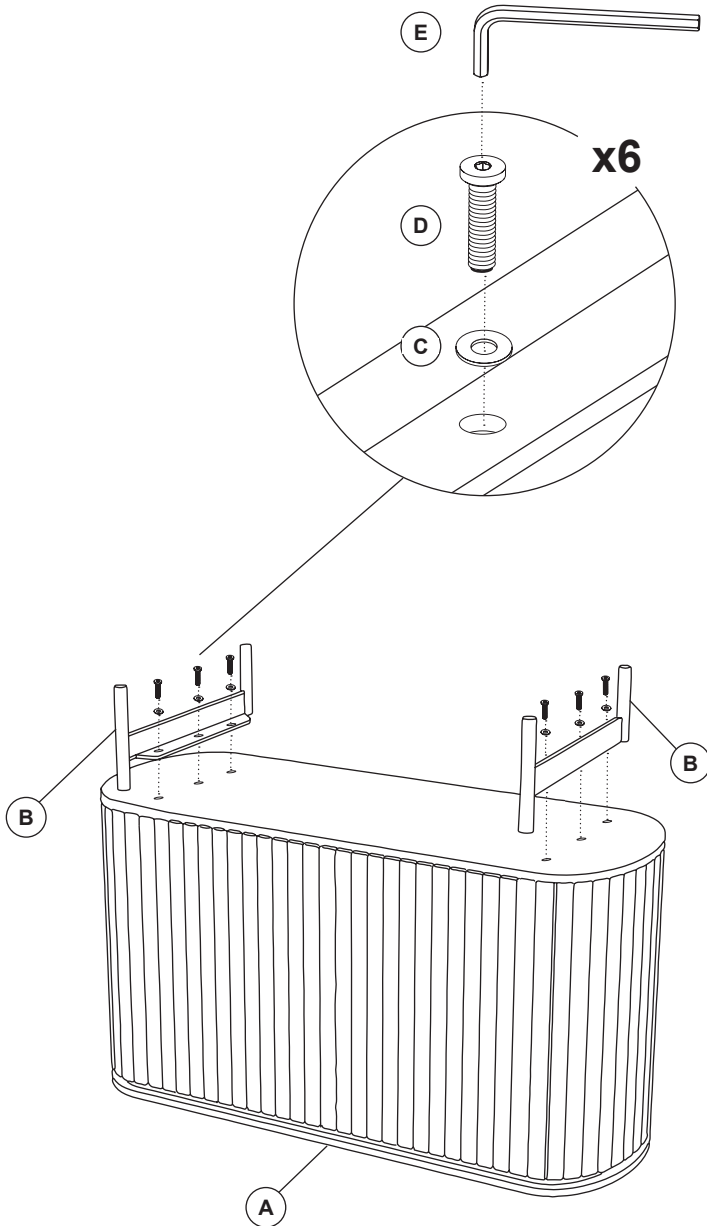
**E** x1

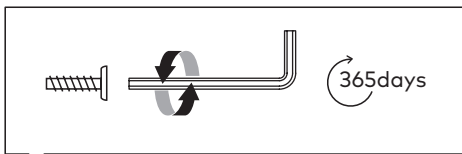
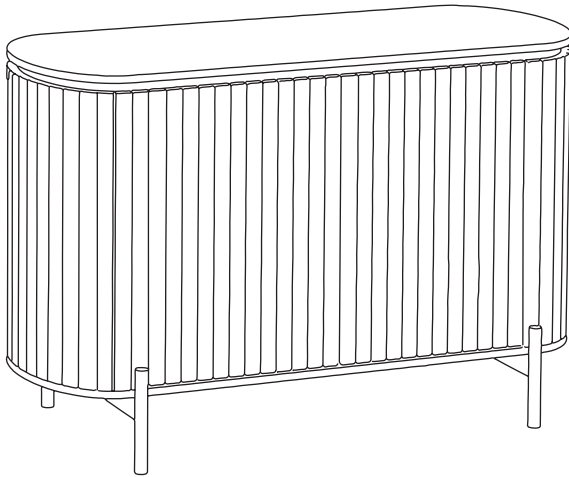






1







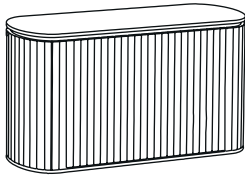
20 min



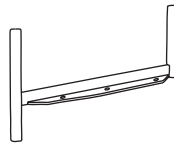
x2



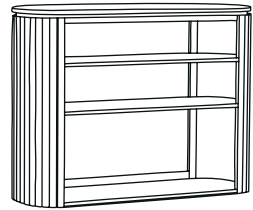
x2



**A** x1



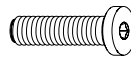
**B** x2



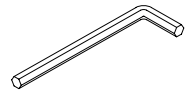
**C** x1



**C** x10  
8x22mm



**D** x10  
6x16mm

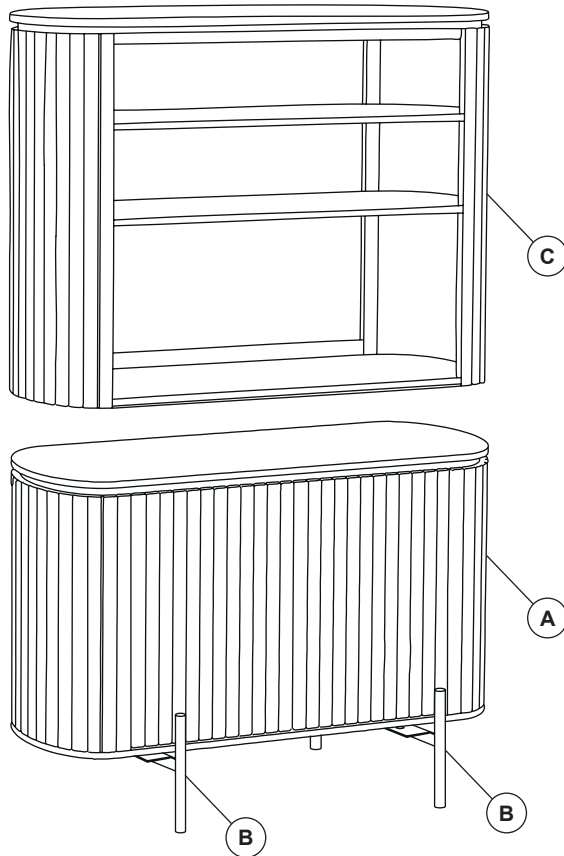


**E** x1

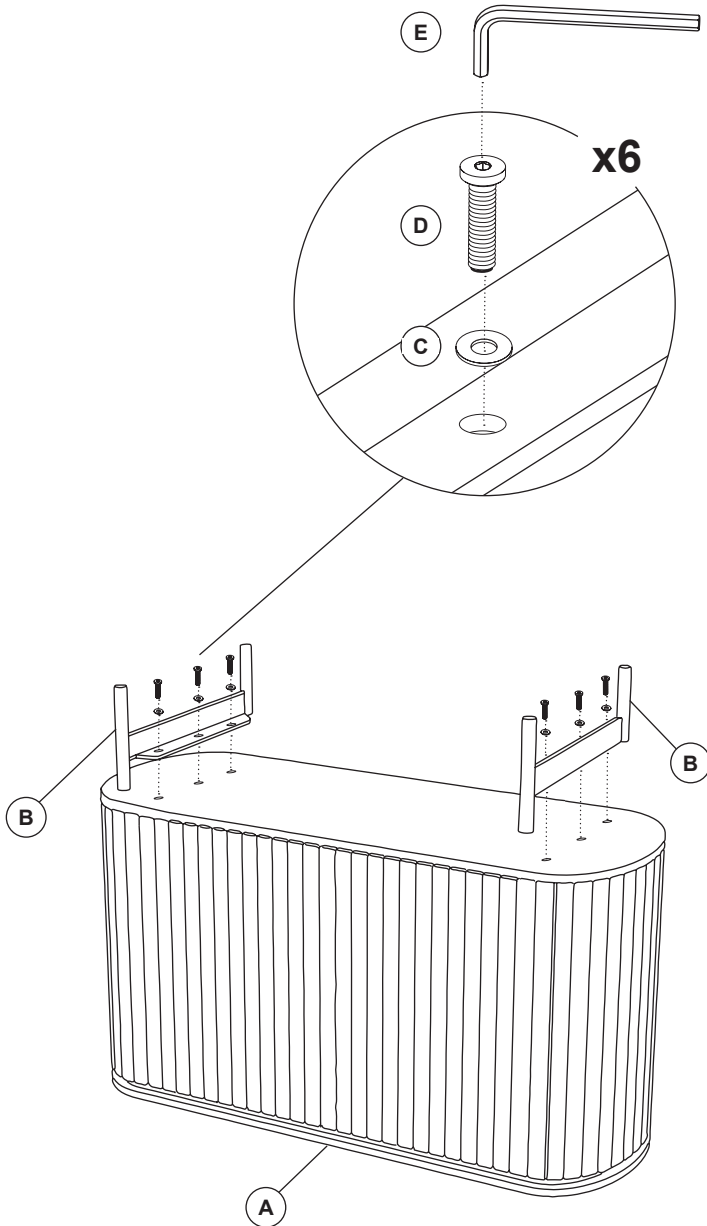


**F** x2

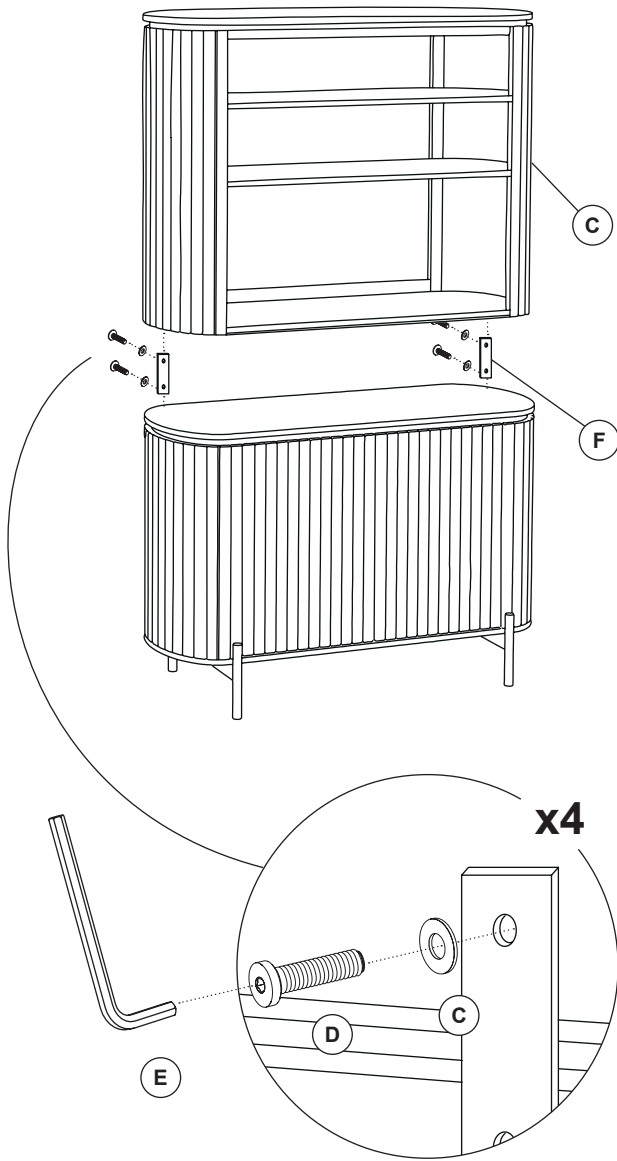




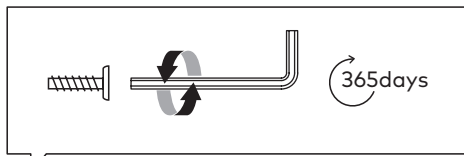
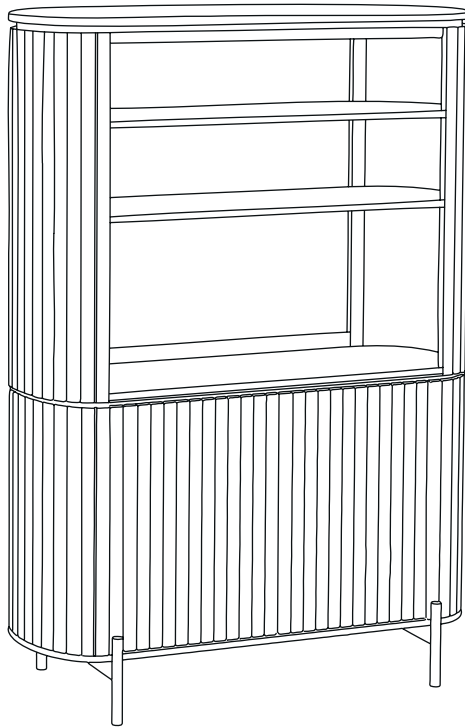
1



2



11





**THAT'S ALL FOLKS**

Share your style!

#KaveHome

