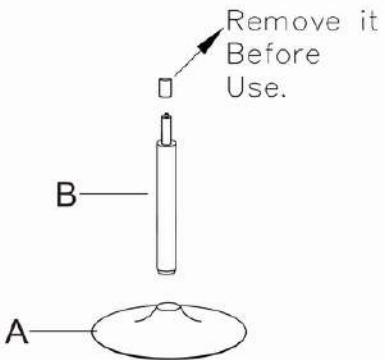
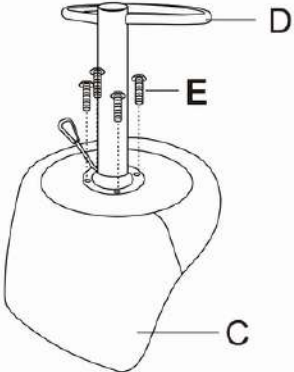











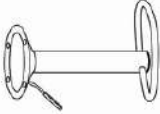


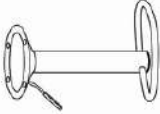


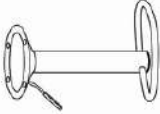




# C-105

<p>1</p> 	<p>2</p> 	<table border="1"> <tbody> <tr> <td data-bbox="1117 707 1168 869">A</td> <td data-bbox="1168 707 1410 869">  </td> <td data-bbox="1410 707 1522 869">1PC</td> </tr> <tr> <td data-bbox="1117 869 1168 999">B</td> <td data-bbox="1168 869 1410 999">  </td> <td data-bbox="1410 869 1522 999">1PC</td> </tr> <tr> <td data-bbox="1117 999 1168 1171">C</td> <td data-bbox="1168 999 1410 1171">  </td> <td data-bbox="1410 999 1522 1171">1PC</td> </tr> </tbody> </table>	A		1PC	B		1PC	C		1PC
A		1PC									
B		1PC									
C		1PC									
<p>3</p> 	<p>4</p> 	<table border="1"> <tbody> <tr> <td data-bbox="1117 1171 1168 1357">D</td> <td data-bbox="1168 1171 1410 1357">  </td> <td data-bbox="1410 1171 1522 1357">1PC</td> </tr> <tr> <td data-bbox="1117 1357 1168 1498">E</td> <td data-bbox="1168 1357 1410 1498">  M6*16         </td> <td data-bbox="1410 1357 1522 1498">4PC</td> </tr> <tr> <td data-bbox="1117 1498 1168 1615">F</td> <td data-bbox="1168 1498 1410 1615">  </td> <td data-bbox="1410 1498 1522 1615">1PC</td> </tr> </tbody> </table>	D		1PC	E	 M6*16	4PC	F		1PC
D		1PC									
E	 M6*16	4PC									
F		1PC									