

# **DOT**

**ASSEMBLY INSTRUCTION**

**WOUD**

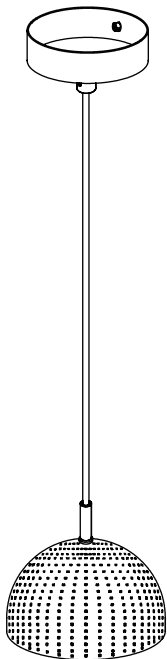
**I DESIGNED THE DOT LIGHTS TO CREATE A  
PLAYFUL AND COZY ATMOSPHERE INTO  
YOUR HOME. INSPIRED BY PERFORATED  
METAL AND THE FANTASTIC PATTERNS THE  
LIGHT CREATES WHEN SHINING THROUGH  
THE HOLES, I DESIGNED DOT TO SHINE  
BOTH WHEN SWITCHED ON AND OFF. MAY  
THE LIGHT SHINE ON YOU.**

A stylized, handwritten signature in black ink. The signature is composed of several overlapping, fluid lines that form a unique, abstract shape. A long, sweeping line starts from the left and curves upwards and to the right, crossing over the main body of the signature. The main body consists of several interconnected loops and strokes, creating a sense of movement and energy.

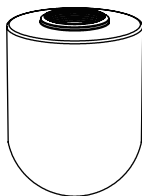
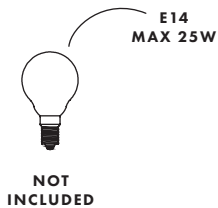
**RIKKE FROST**

# **ASSEMBLY INSTRUCTION**

**PLEASE GO THROUGH THE FOLLOWING  
STEPS CAREFULLY. RETAIN THIS MANUAL  
FOR FUTURE REFERENCE TO ENSURE THAT  
YOUR NEW ITEM IS CORRECTLY ASSEMBLED  
IN CASE IT SHOULD BE DISASSEMBLED OR  
MOVED. WE ARE NOT RESPONSIBLE FOR  
ANY FAULTS OR DAMAGES CAUSED BY  
NOT FOLLOWING THESE INSTRUCTIONS  
CORRECTLY.**



**A X 1**



**B X 1**



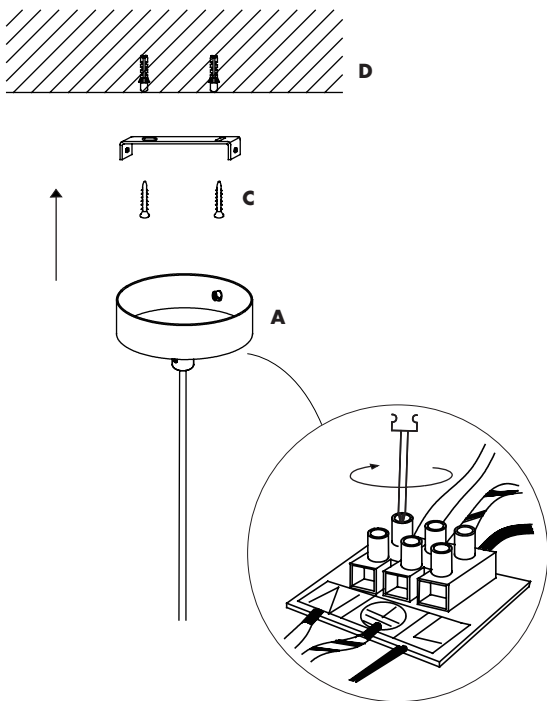
**C X 2**



**D X 2**

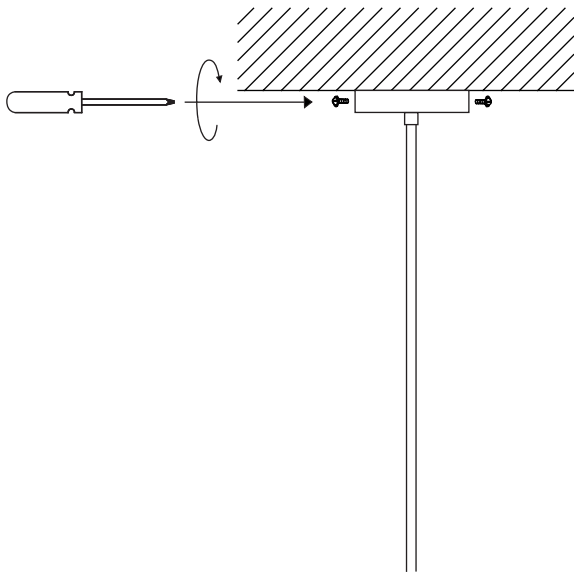
# STEP 1

DECIDE THE LENGTH OF THE CORD AND MOUNT THE CEILING ROSE BRACKET USING THE WALL PLUGS AND SCREWS.



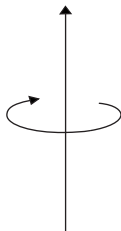
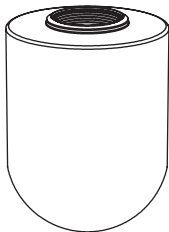
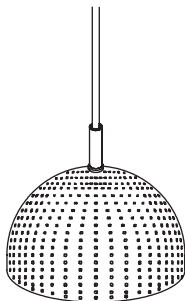
## STEP 2

MOUNT THE CEILING ROSE TO THE BRACKET  
USING THE SMALL SCREW BOLTS.



## STEP 3

INSERT A SUITABLE E14 LIGHT BULB AND  
MOUNT THE OPAL GLASS SHADE.



# **SAFETY INSTRUCTIONS**



**IF THE EXTERNAL FLEXIBLE CABLE OR CORD OF THIS LUMINAIRE IS DAMAGED, IT SHALL BE EXCLUSIVELY REPLACED BY THE MANUFACTURER OR SIMILAR QUALIFIED PERSON IN ORDER TO AVOID A HAZARD.**

**THE LAMP IS ONLY INTENDED FOR INTERIOR USE.**

**LAMP EXTERIOR CAN GET HOT AFTER PROLONGED USE.**

**ENSURE BULB HAS FULLY COOLED BEFORE ATTEMPTING TO REMOVE IT.**

**PROTECT FROM CONTACT WITH LIQUIDS.**

**DO NOT PLACE THE CABLE IN REACH OF SMALL CHILDREN OR ANYWHERE THERE IS A RISK OF FALLING OVER IT.**

**WARNING: MUST BE INSTALLED BY A LICENCED ELECTRICIAN.**



DESIGNED BY  
**RIKKE FROST**