

ELEVATE

ASSEMBLY INSTRUCTION

W0UD

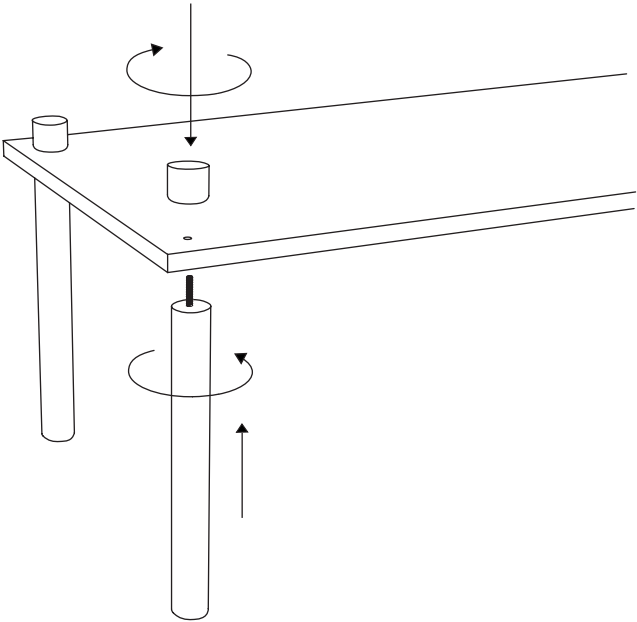
OUR INSPIRATION FOR ELEVATE CAME FROM OUR EARLY DAYS AS EXHIBITORS. WE NEEDED A FLEXIBLE SHELF SYSTEM THAT EASILY COULD BE BUILT IN ANY HEIGHT OR LENGTH. THAT WAY WE COULD EXHIBIT OUR SMALLER DESIGNS IN A TASTEFUL MANNER, AND BUILD THE SYSTEM TO FIT THE SPACE WE HAD AT THE TIME. WE HOPE THAT ELEVATE WILL HELP YOU CREATE YOUR OWN UNIQUE SPACE.



CAMILLA AKERSVEEN & CHRISTOPHER KONINGS

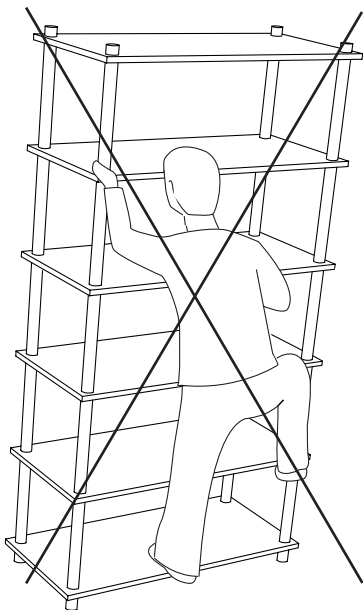
ASSEMBLY INSTRUCTION

**RETAIN THIS MANUAL FOR FUTURE
REFERENCE TO ENSURE THAT YOUR
NEW ITEM IS CORRECTLY ASSEMBLED IN
CASE IT SHOULD BE DISASSEMBLED OR
MOVED. WE ARE NOT RESPONSIBLE FOR
ANY FAULTS OR DAMAGES CAUSED BY
NOT FOLLOWING THESE INSTRUCTIONS
CORRECTLY.**



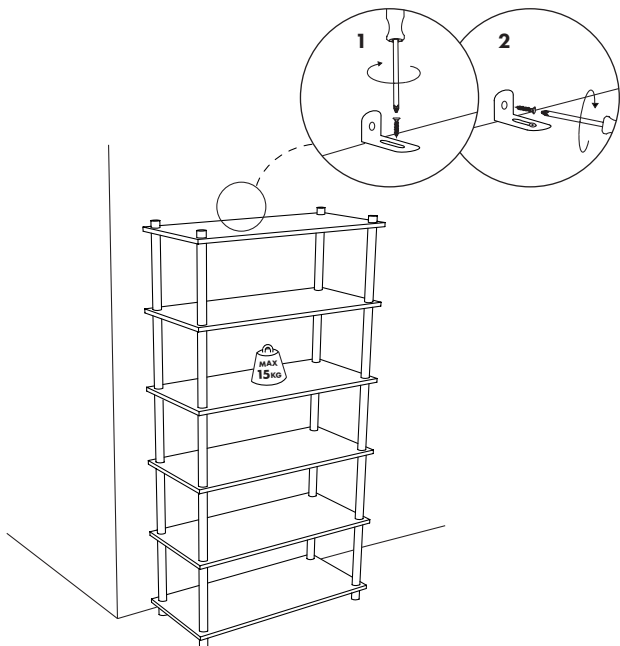
WARNING

DO NOT CLIMB THE SHELVING SYSTEM



WARNING

TO PREVENT THIS FURNITURE FROM TIPPING OVER
RESULTING IN SERIOUS OR FATAL INJURIES, IT MUST
BE PERMANENTLY FIXED TO THE WALL



MAXIMUM WEIGHT ON EACH SHELF: 15 KG

**WITH ELEVATE, YOU CAN ALWAYS
BUILD ON TOP. CONFIGURE A NEW
SHELVING SYSTEM OR EXTEND AN
EXISTING ONE WITH OUR ONLINE
CONFIGURATOR. YOU CAN CHOOSE
TO START FROM STRATCH OR EXTEND
A PREDEFINED SYSTEM. GET STARTED
ON WWW.WOUD.DK/ELEVATE**

YOU SET THE LIMITS.

DESIGNED BY
CAMILLA AKERSVEEN & CHRISTOPHER KONINGS