

Item type
Dining Table

Item name
Eero

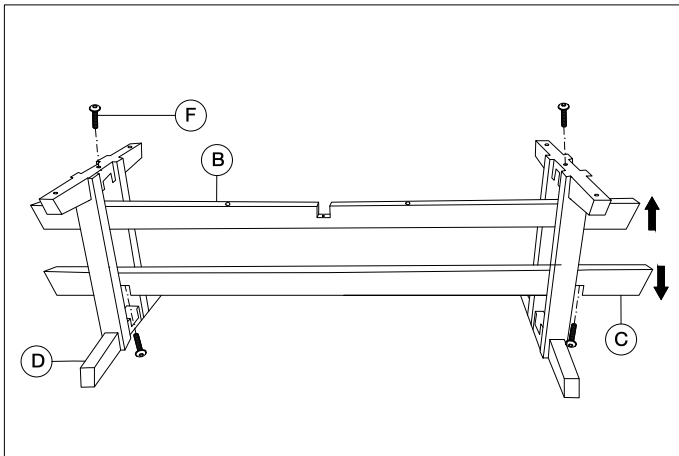
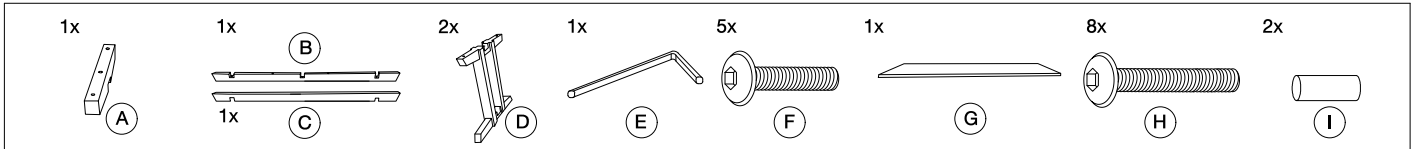
Item no
113889

Attention! Place the item on a soft material on the floor before starting with the assembly, to prevent the item from being damaged.

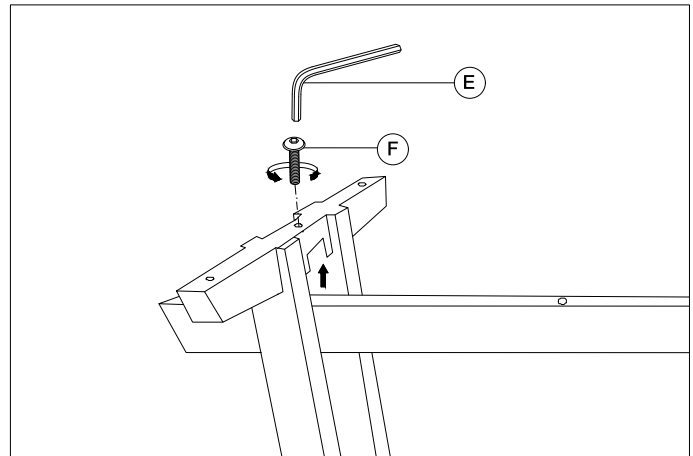
Care instructions:
Dust regularly and clean with a soft dry cloth.
Remove spills immediately to avoid staining and always use coasters.

Eichholtz B.V.
Delfweg 52
2211 VN Noordwijkerhout
The Netherlands

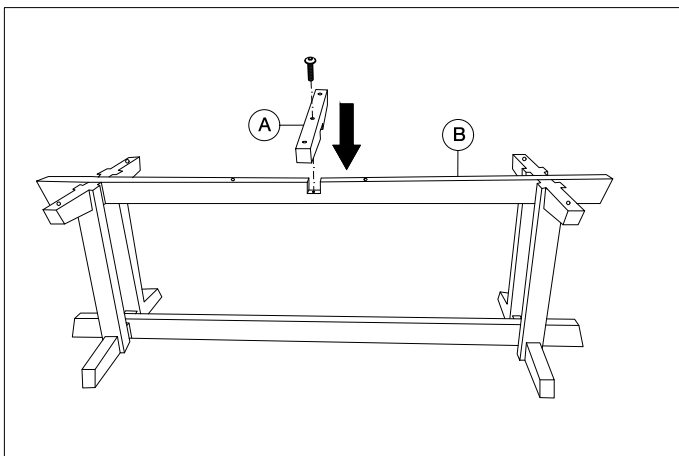
🏠 www.eichholtz.com
✉ service@eichholtz.com
☎ +31 (0)252 515 850



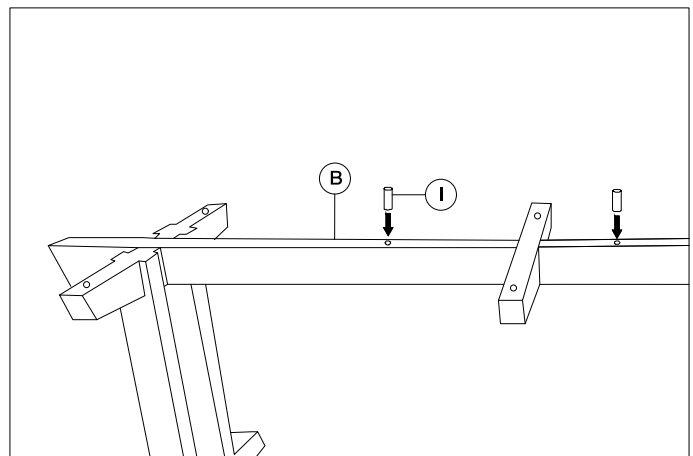
1. Assemble the base as illustrated using the 60mm bolts (F).



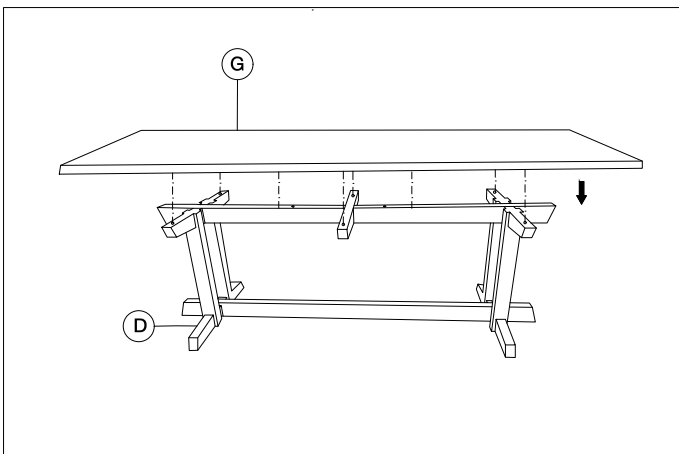
2. Fix part B to part D with bolt F.



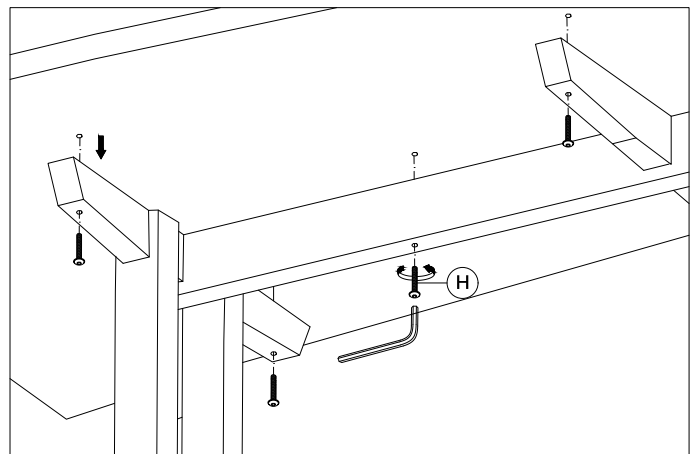
3. Fix part A to part B with bolt F.



4. Place the wooden dowels (I) in part B.



5. Place the top on the base.



6. Fix the top to the base with the 80mm bolts (H).