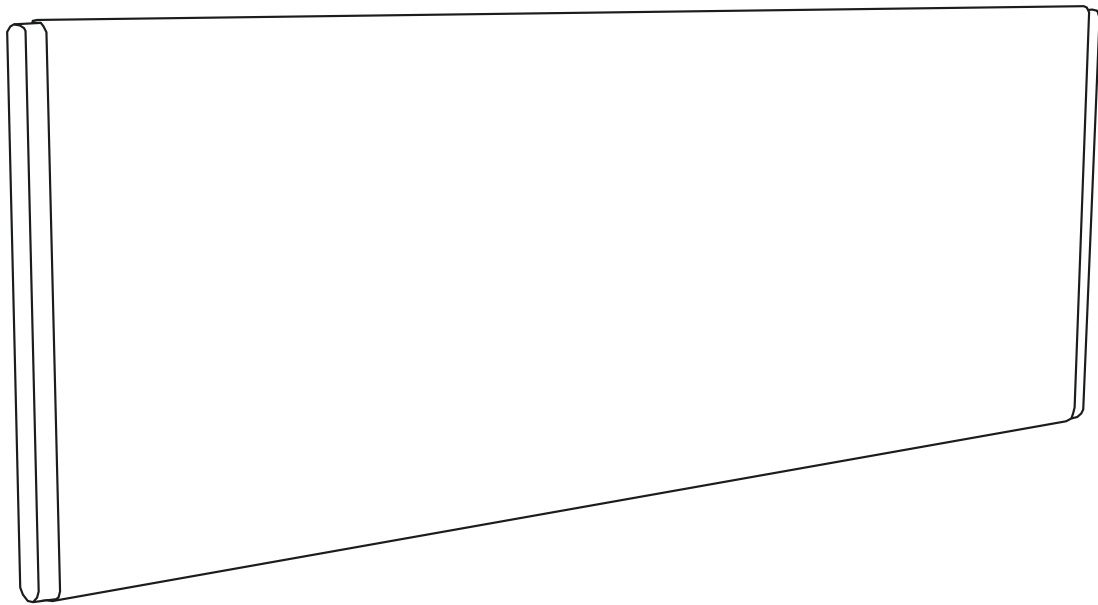


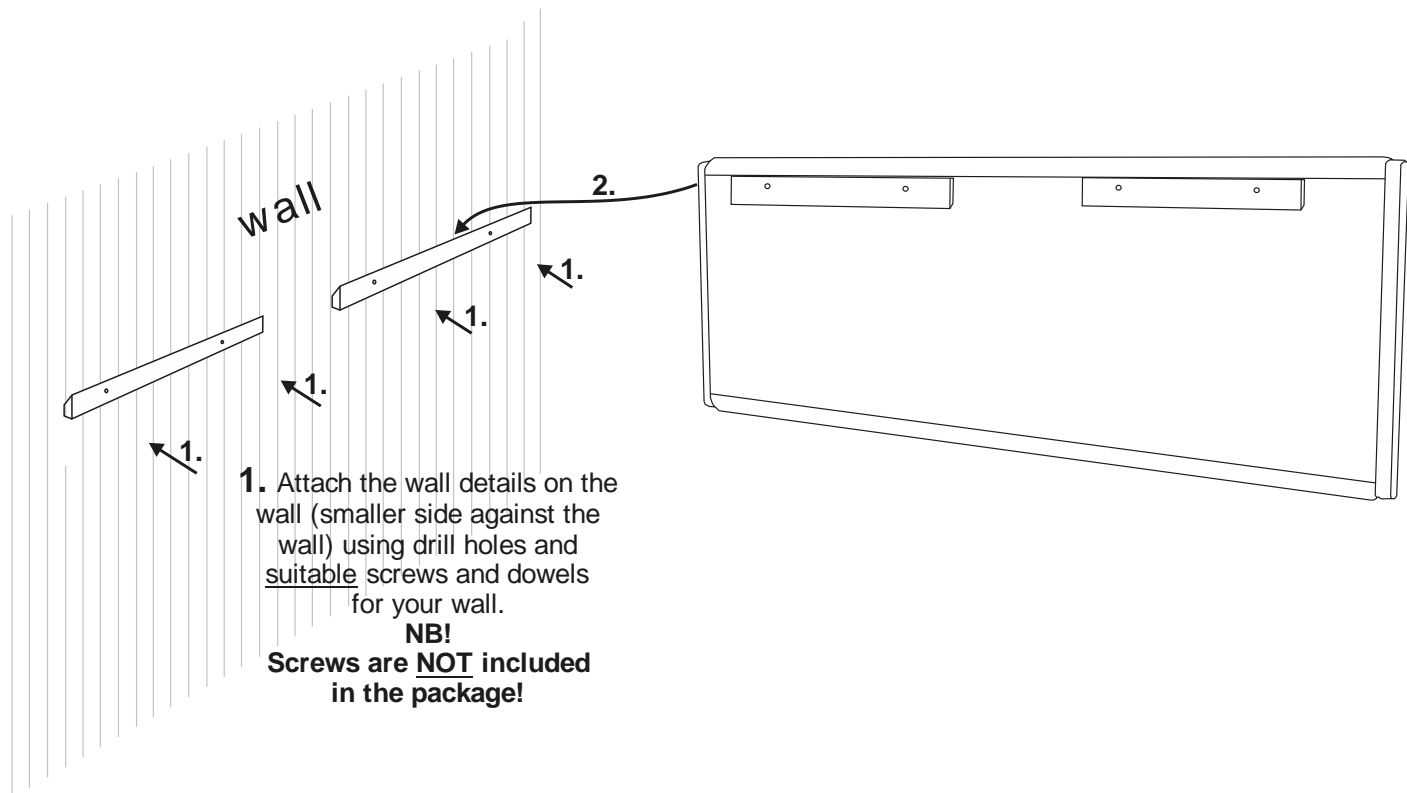
Bolia.com

new scandinavian design

Haven headboard
Version 001 - 08/2020



As wall materials vary, screws for fixing the wall are not included. For advice on suitable screw systems, contact your local specialized dealer.



Instructions for use

Read the manual carefully, especially the safety instructions, before using your furniture. If you do not follow the instructions, there is a risk that you could damage the furniture, in the worst case even persons could be injured.

Keep the manual for future reference. If the furniture is later passed on to third parties, this manual must also be provided.

The following symbols and notes are used in the manual for the furniture and packaging:



This symbol indicates a warning regarding the care, handling or use of the product. If such a warning is not followed, there is a risk that you could damage the furniture, in the worst case even persons could be injured.



This symbol indicates instructions for use of the product. Negligence can lead to damage to the product or injuries.

Use of the product

The product is intended for indoor use only and is not suitable for outdoor use.

Use the furniture only for the purpose described in this manual.

Any other use does not correspond to the intended purpose of the furniture and can lead to damage to the furniture or injuries.

The manufacturer or dealer accepts no responsibility for damage resulting from the use of the furniture in a manner for which it is not intended.

Safety instructions

IMPORTANT – Read carefully and keep in a safe place.



Risk of personal injury.

Incorrect, improper use of the furniture can lead to the following personal injuries:

- Do not climb onto the furniture – there is a risk of it tipping over. It is not intended for this and can be damaged as a result.
- Children must not play with the packaging film, as there is a risk that they will be wrapped up in it and caught.
- Before using the furniture, make sure that there is nothing that can harm or injure persons.



Please note:

Risk of damaging the table.

Incorrect, improper use, handling and cleaning can damage parts or the entire product.

- Keep the furniture away from open fire, hot surfaces and direct sunlight.
- The furniture must not be cleaned with steam.
- Do not step on or jump on the furniture. It is not intended for this.
- Do not use a hard brush, solvent, corrosive or strong cleaning agent to clean the furniture.
- Do not push or pull the furniture over the floor. This could damage both the legs and the floor. Always lift the furniture to move it.
- Always use recommended care and cleaning products.
- Never cover wet furniture. If wet furniture is covered, it can be damaged.
- Further information can be found on our website: Bolia.com

Technical information:

As we are constantly developing and improving our products, design and technical changes may occur.

This manual can be downloaded as a PDF file from our website: Bolia.com

Disposal of packaging

Packaging materials must be separated and disposed of properly. Paper and cardboard belong in the paper bin and film in the appropriate packaging waste.

Disposal of the seating furniture

Dispose of the product in accordance with local waste regulations.

Vaerkmestergade 11,1
8000 Aarhus C

Bolia.com
new scandinavian design