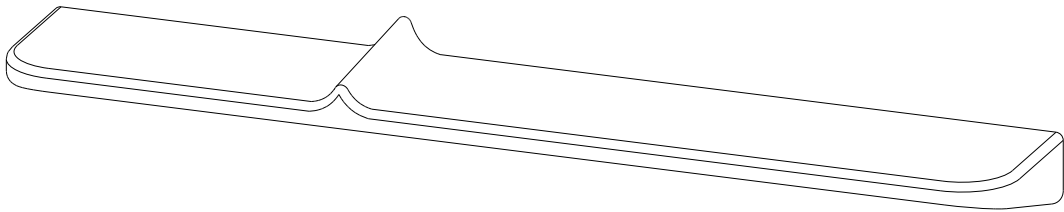


Bolia.com

new scandinavian design

Wave

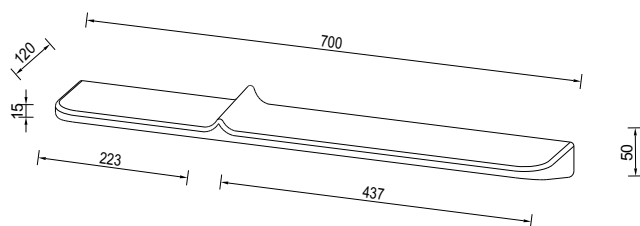
Pavel & Vetrov
Version 1 - 17/6/2021



A

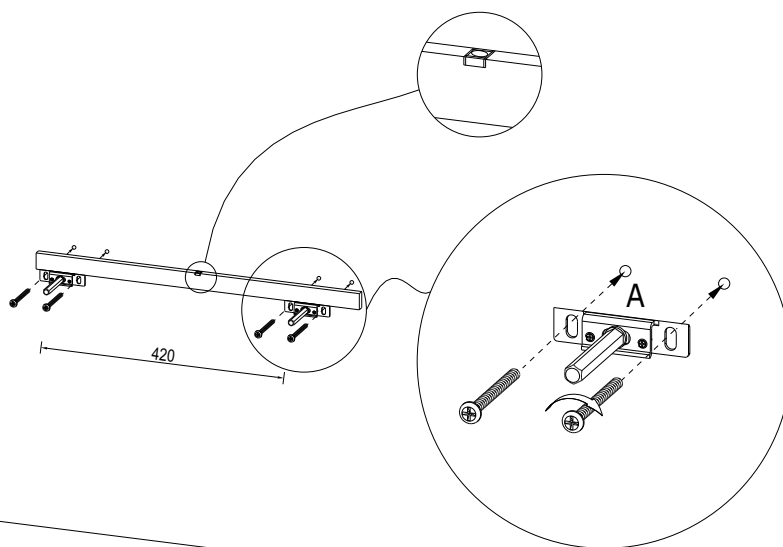


=2



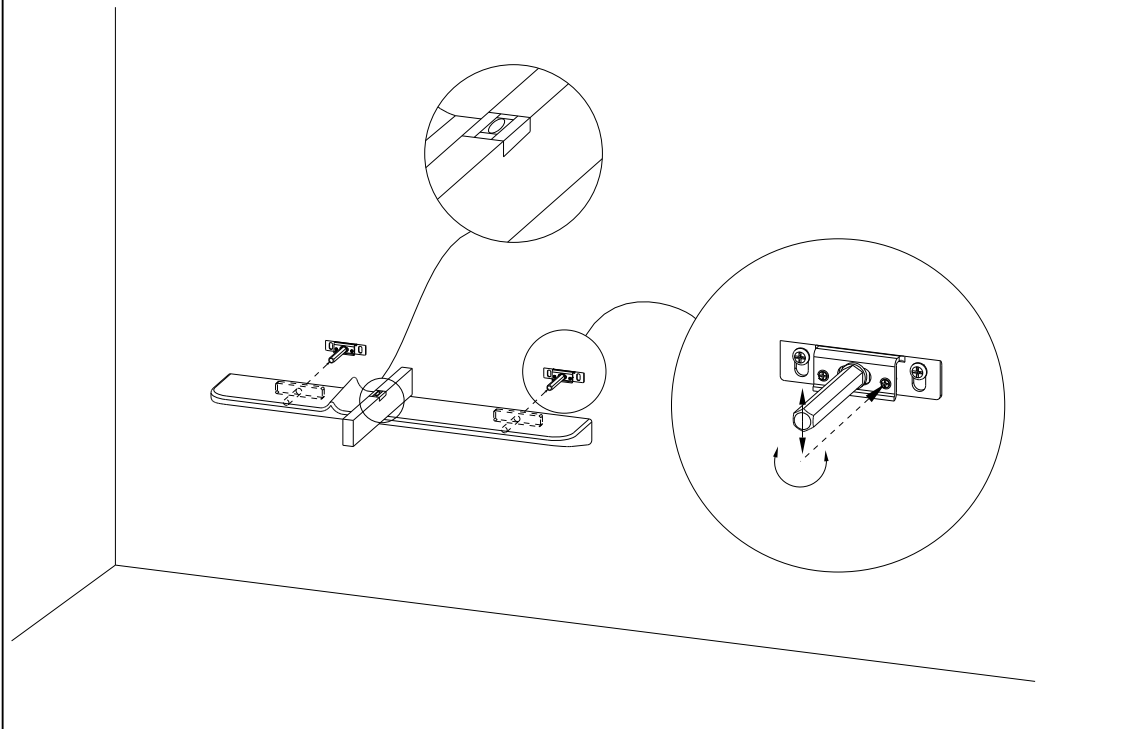
Use the appropriate plugs and screws,
depending on your type of wall.

1



Adjust the wall mount to level the shelf
by turning the set screws.

2



3

