



Item type

Cabinet

Item name

Jane

Item no

113833

Attention! Serious or fatal crushing injuries can occur from furniture tip-over. To help prevent this install the tip-over restraint.

Place heaviest items in lowest drawers

Never allow children to climb or hang on drawers, doors or shelves.

The tip-over restraint may only reduce, but not eliminate the risk of tip-over.

Eichholtz B.V.

Delfweg 52

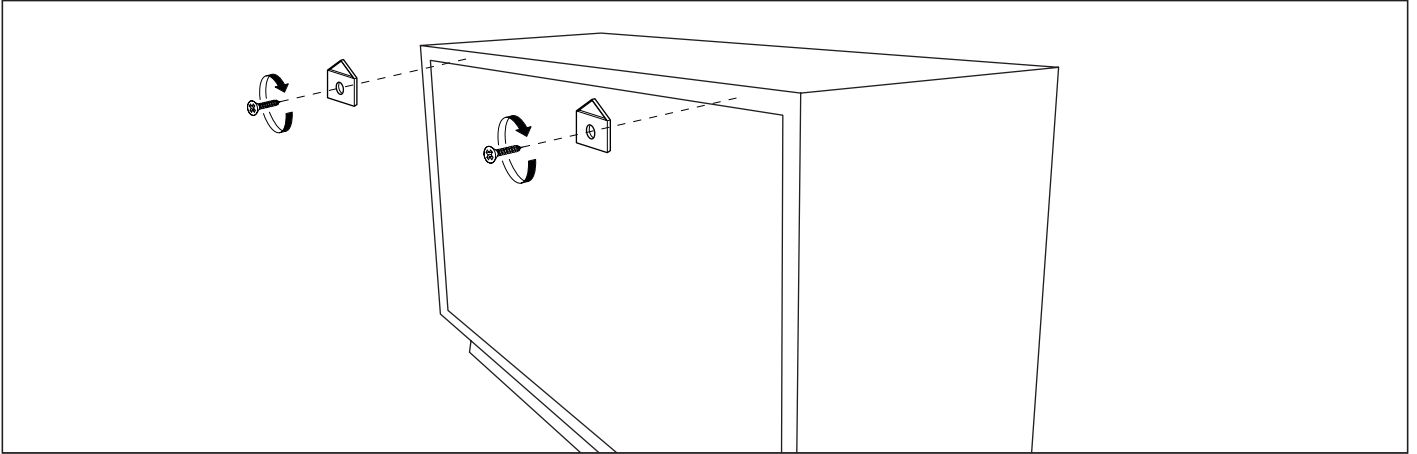
2211 VN Noordwijkerhout

The Netherlands

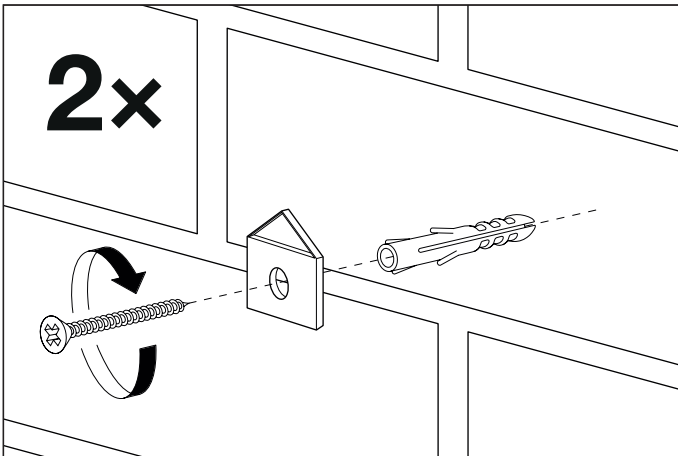
🏠 www.eichholtz.com

✉ service@eichholtz.com

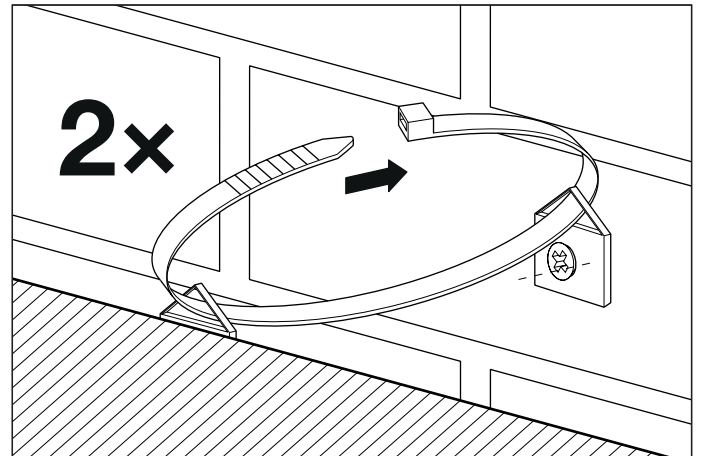
☎ +31 (0)252 515 850



1. Fix the brackets to the cabinet.



2. Fix the brackets to the wall using wall mounting plugs suitable for your wall.



3. Move the cabinet into its final position. Thread the strap through the brackets and tighten strap until snug. Do not over tighten. Make sure the brackets are firmly attached and the strap is snug.