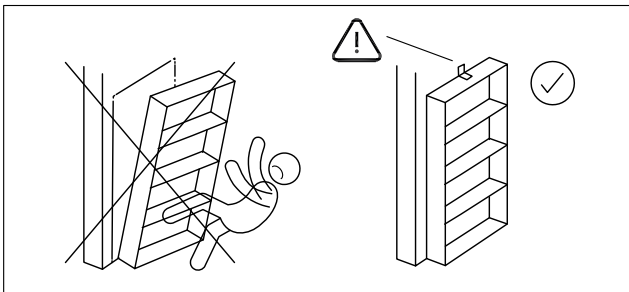
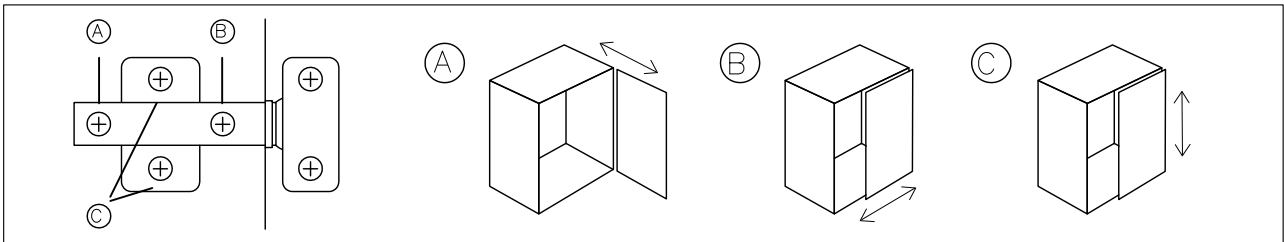
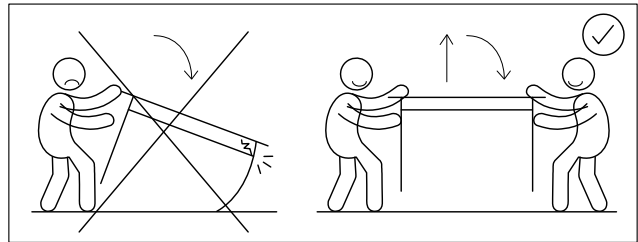
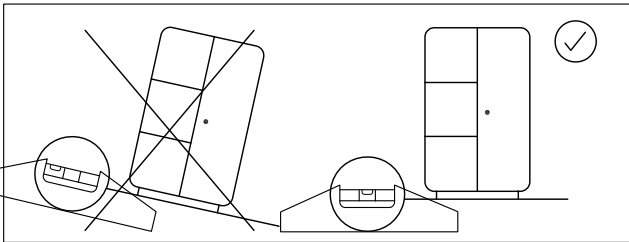
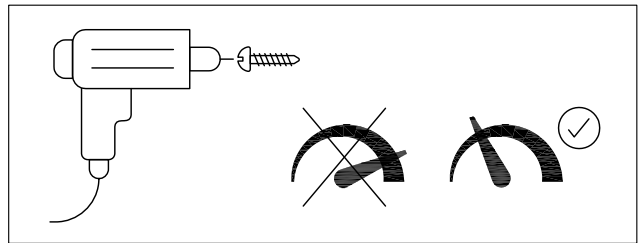
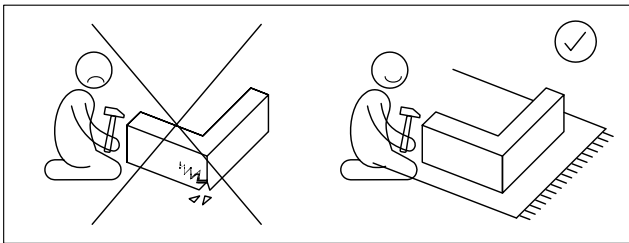
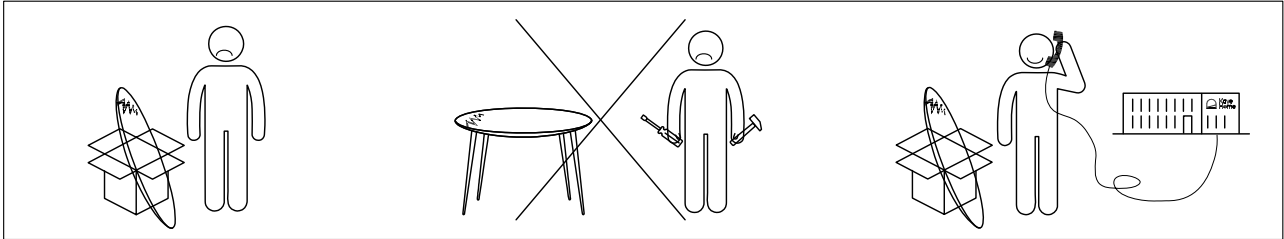
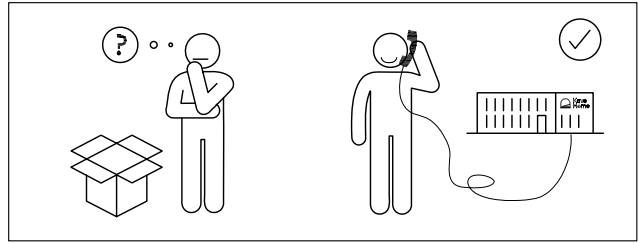
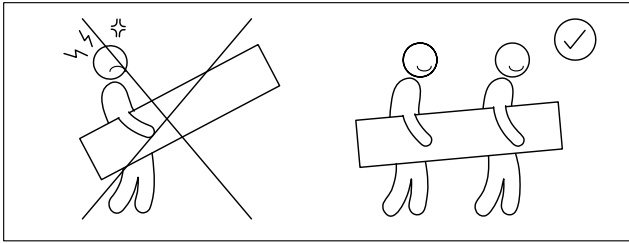
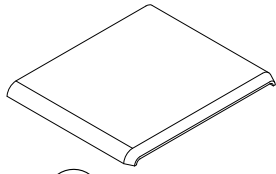
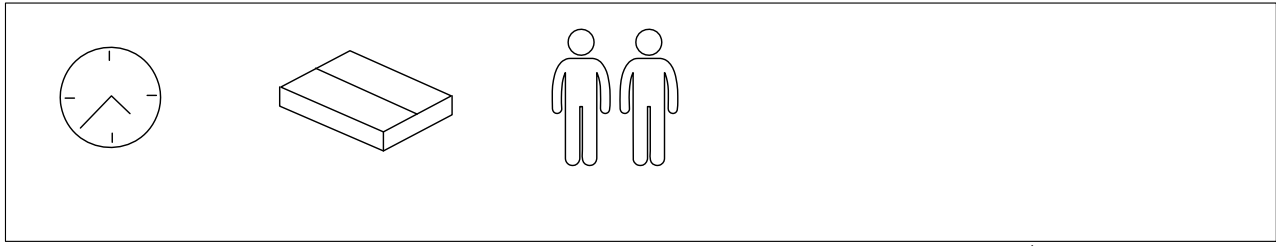
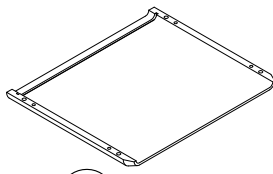


YG0134M46

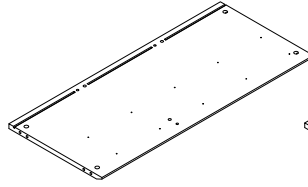




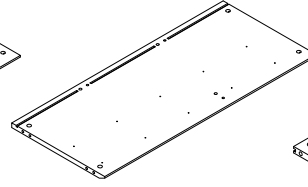
① x1



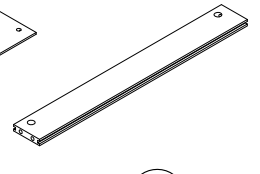
② x1



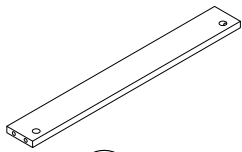
③ x1



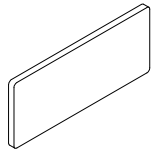
④ x1



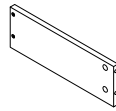
⑤ x2



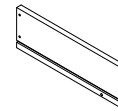
⑥ x1



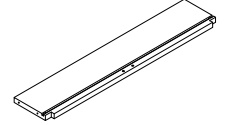
⑦ x5



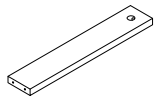
⑧ x5



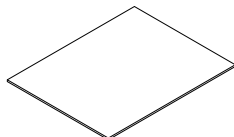
⑨ x5



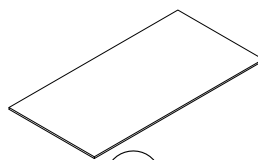
⑩ x5



⑪ x5



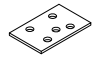
⑫ x5



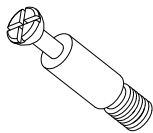
⑬ x3



⑭ x4



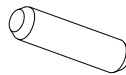
⑮ x4



Ax39



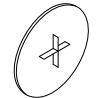
Bx39



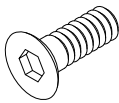
Cx18
Ø8x30



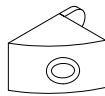
Dx8
Ø20mm



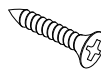
Ex31
Ø20mm



Fx4
M8x25



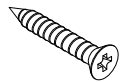
Gx10



Hx10
Ø3x18



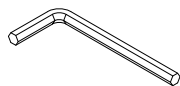
Ix30
Ø4x14



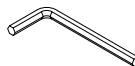
Jx30
Ø3.5x30



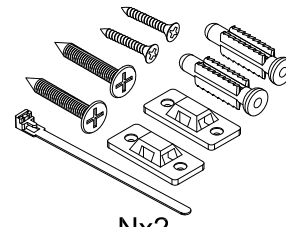
Kx16
M6x15



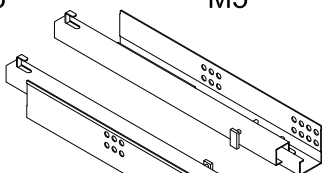
Lx1
M5



Mx1
M4



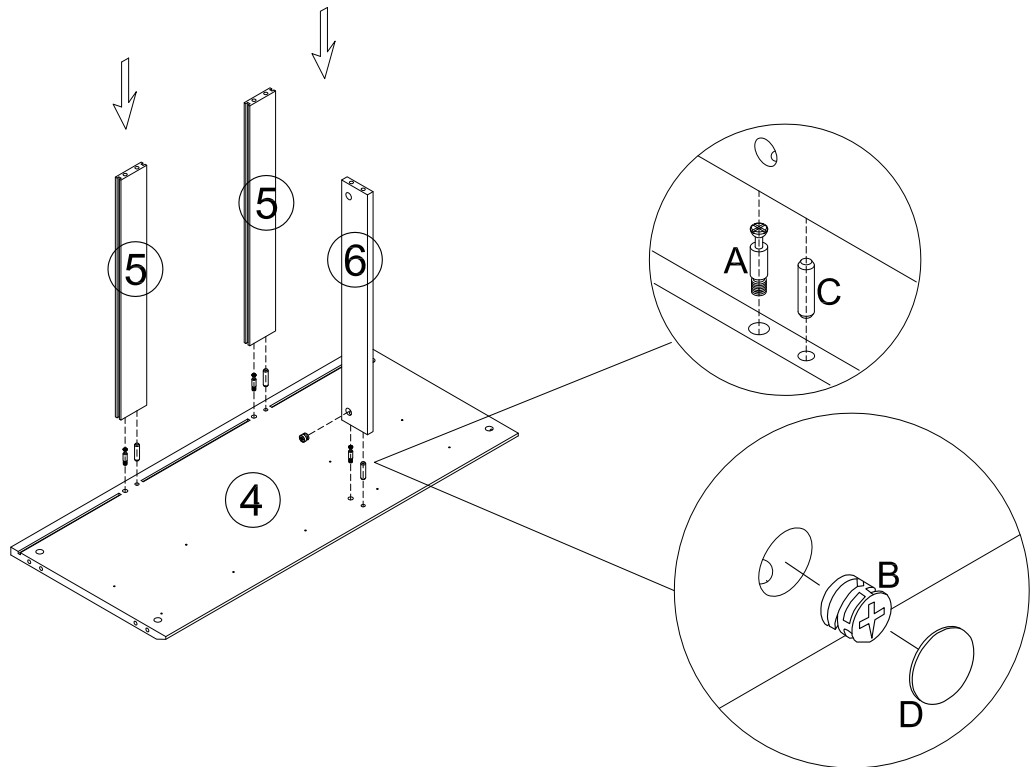
Nx2



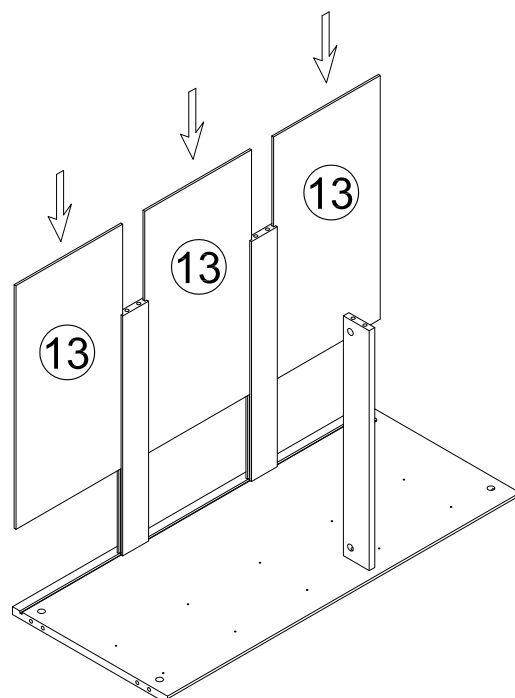
Ox5

ANIELLE

①



②



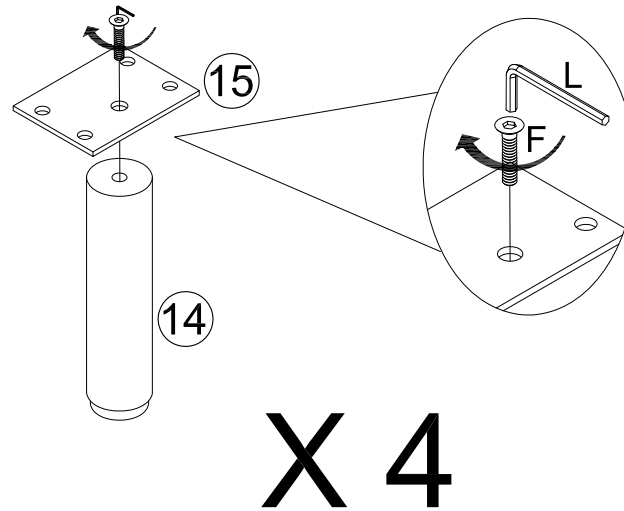
3
 

Diagram for step 3: A top panel (3) is being lowered onto a frame. A circular inset shows a close-up of a vertical post (C) being inserted into a hole in the top panel, secured by a screw (A). Another circular inset shows a screw (B) being tightened into a hole in the bottom panel, with a washer (D) placed between the panels.

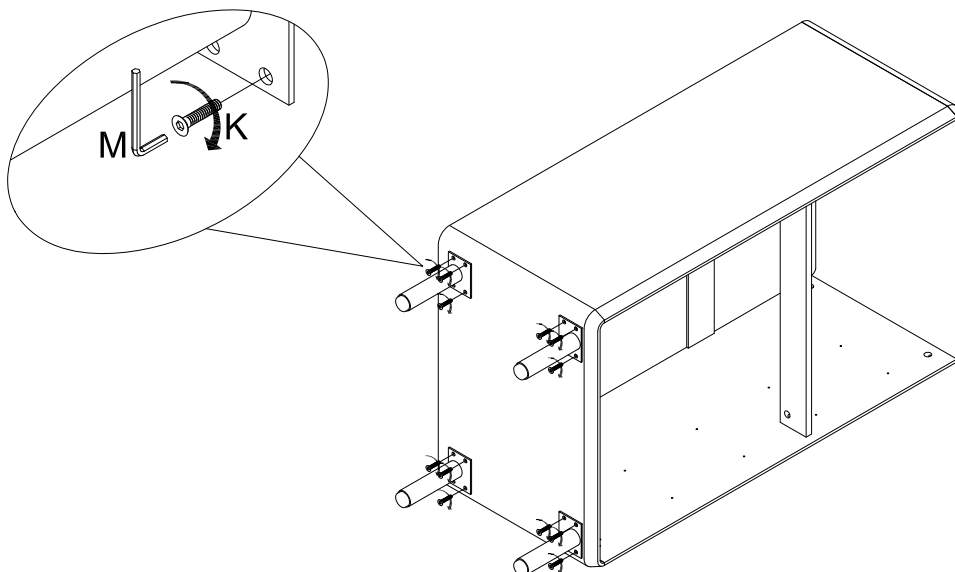
 4
 

Diagram for step 4: A side panel (2) is being attached to the frame. A circular inset shows a screw (B) being tightened into a hole in the side panel, with a washer (D) placed between the panels. Another circular inset shows a screw (A) being inserted into a hole in the side panel, secured by a post (C).

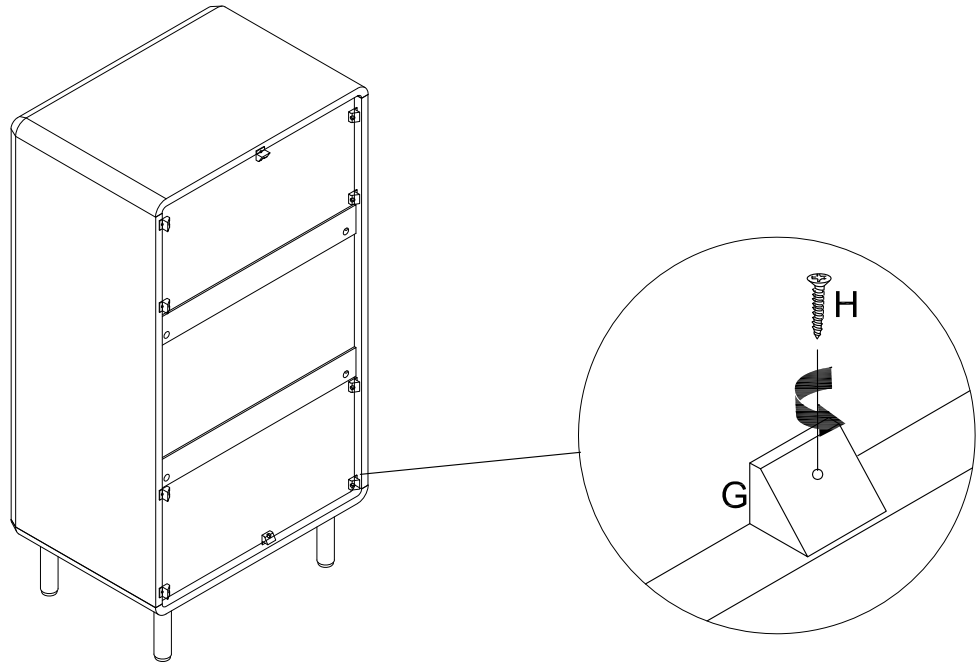
5



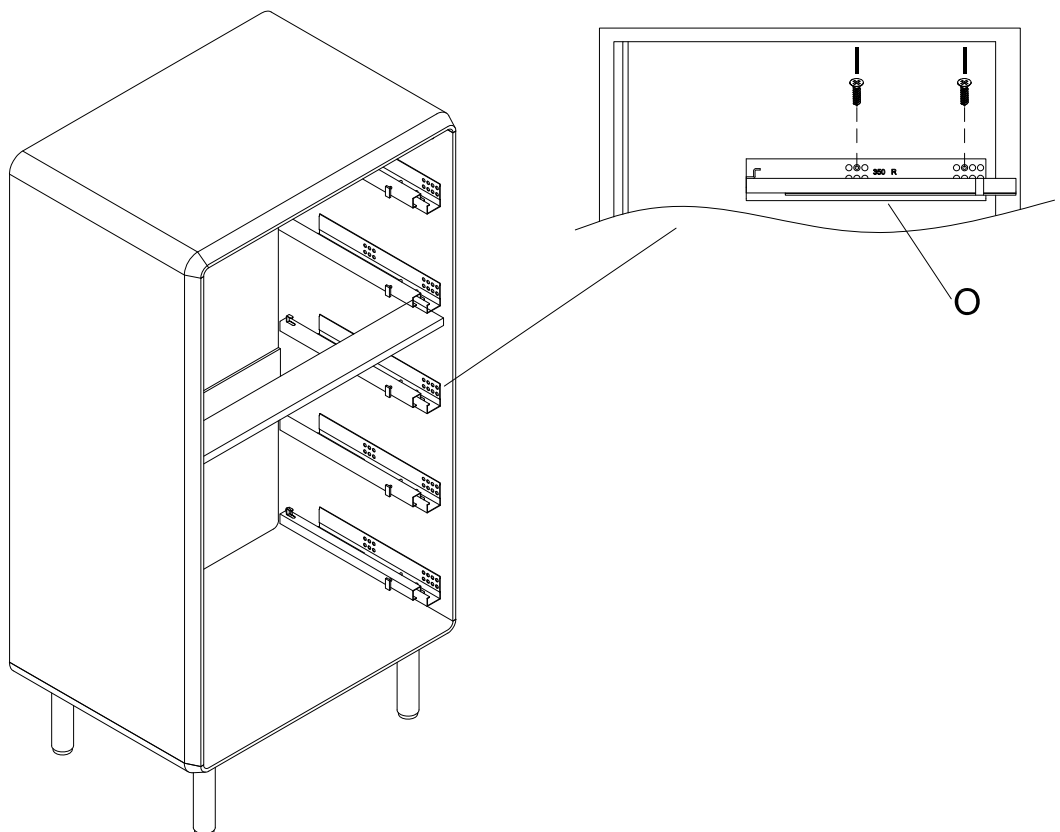
6

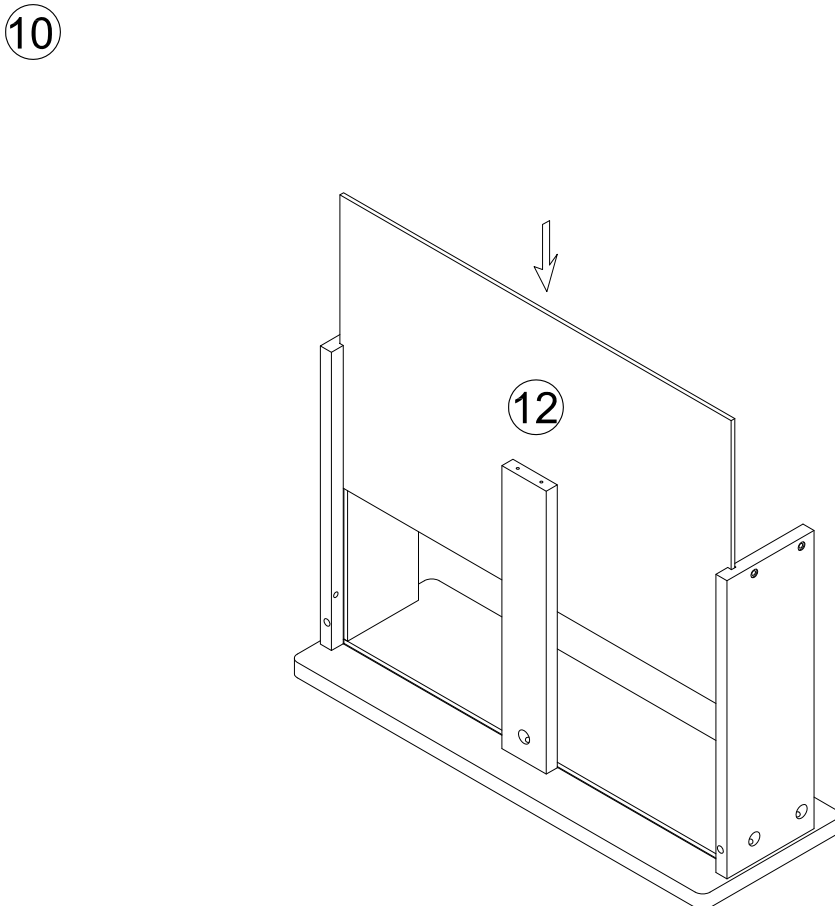
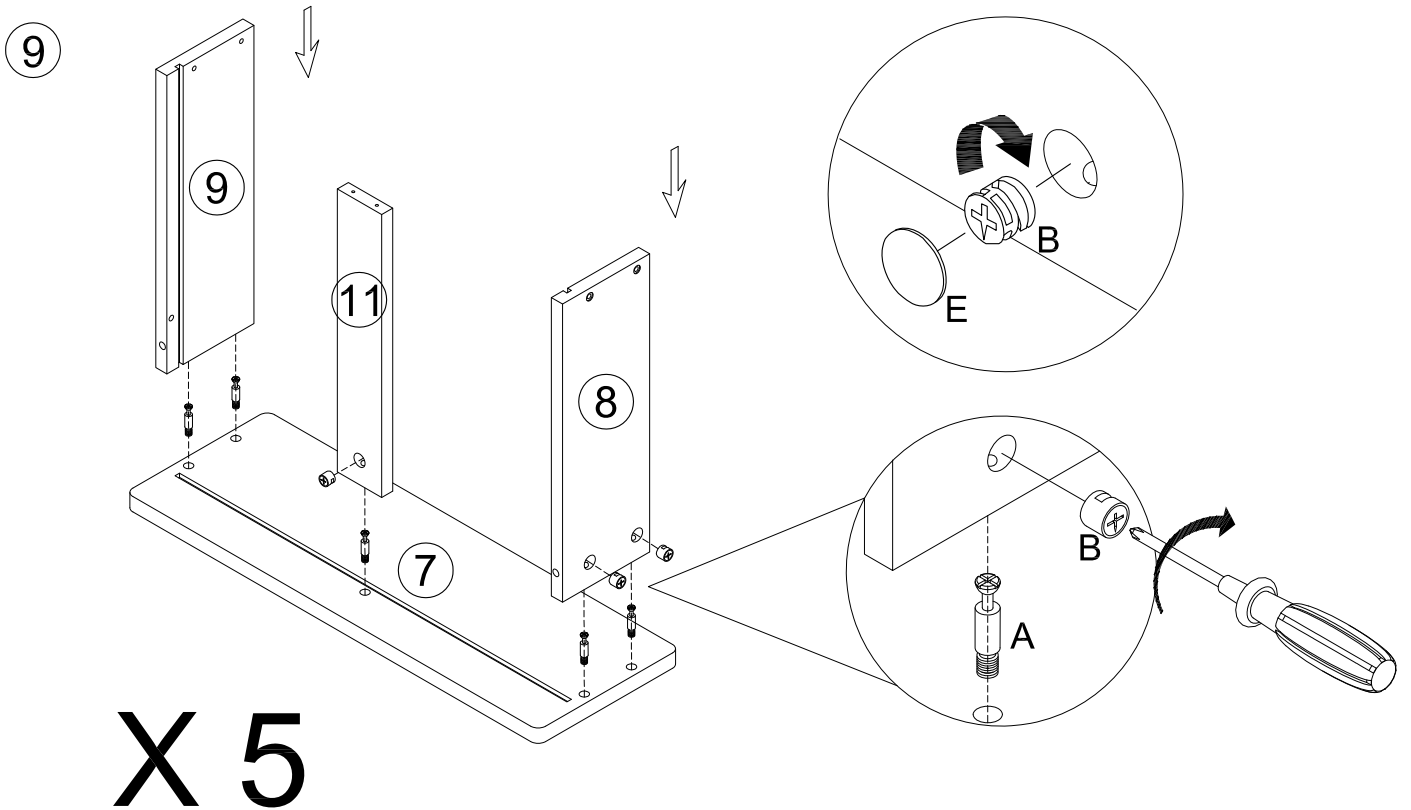


7



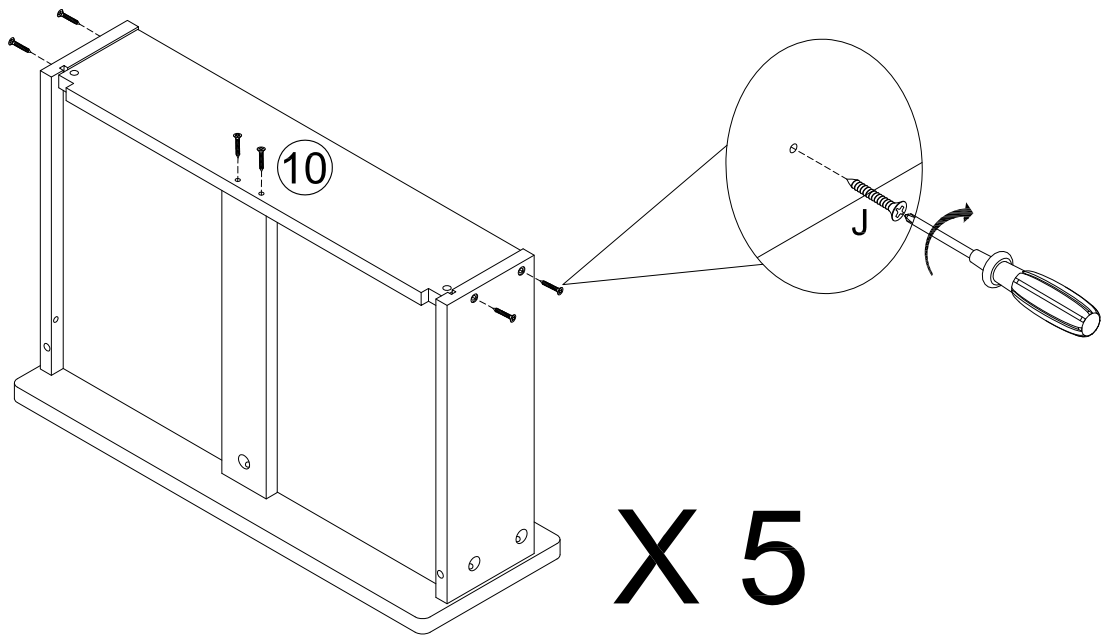
8



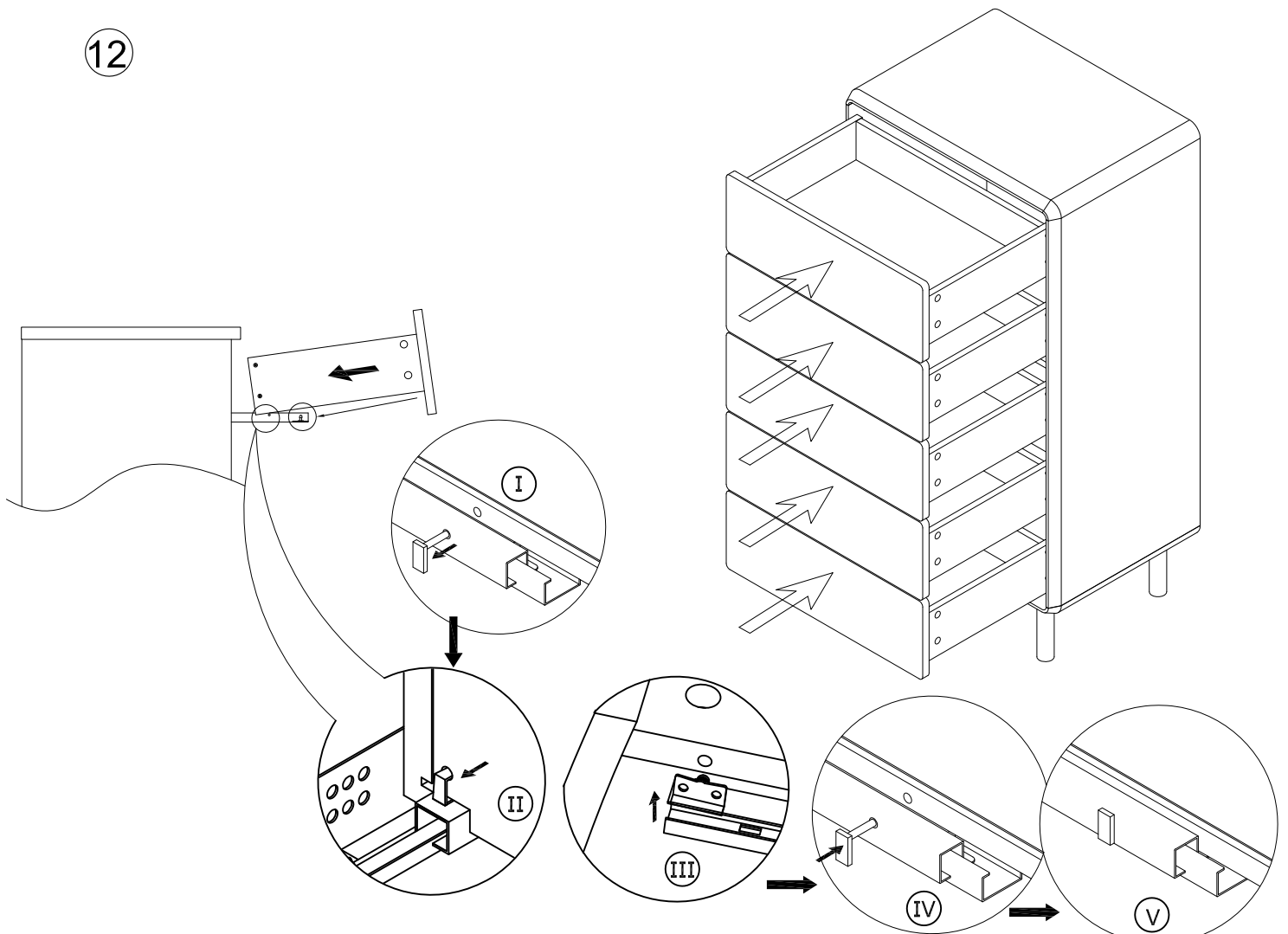
ANIELLE


ANIELLE

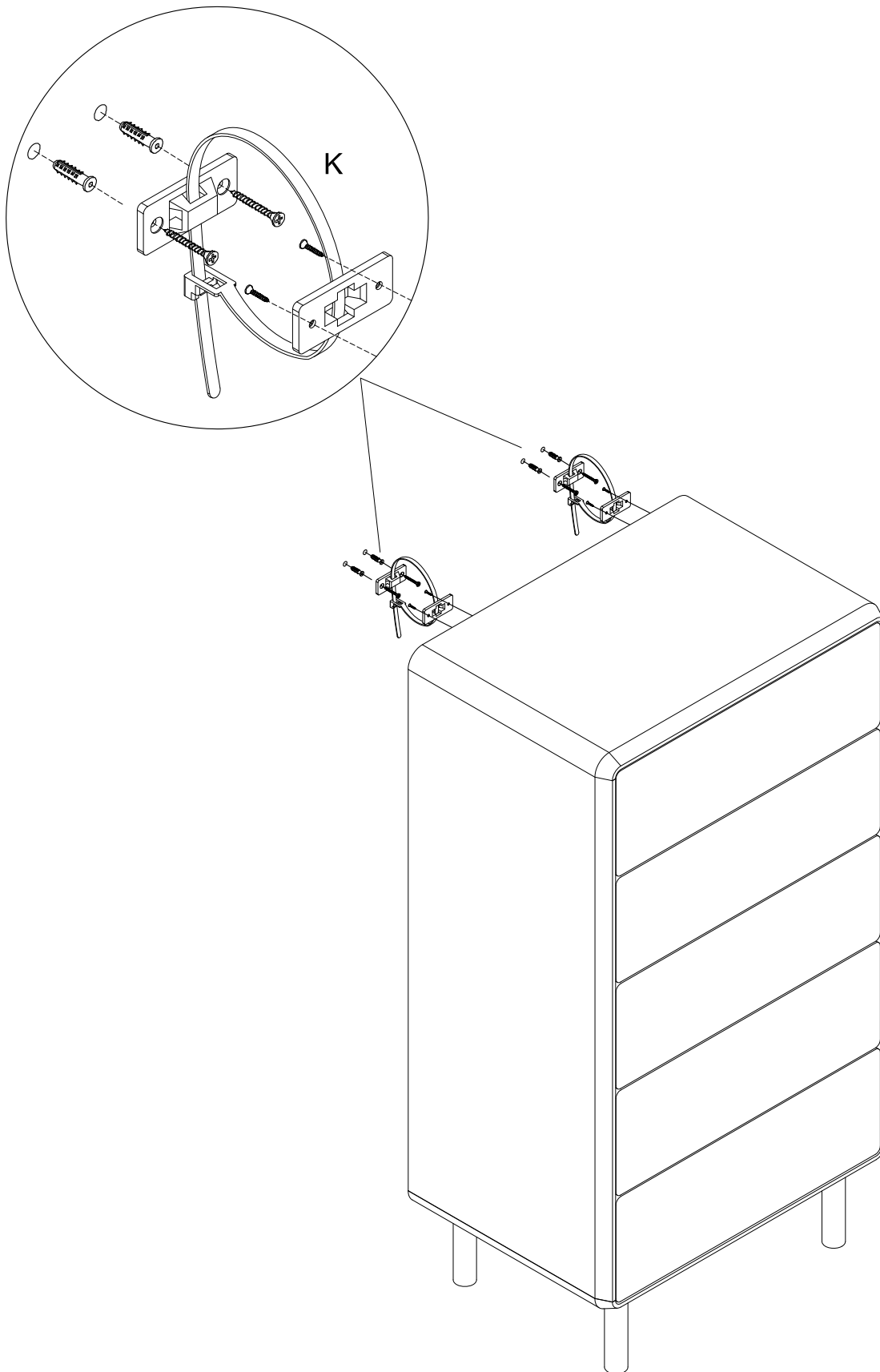
11



12



13



①④

