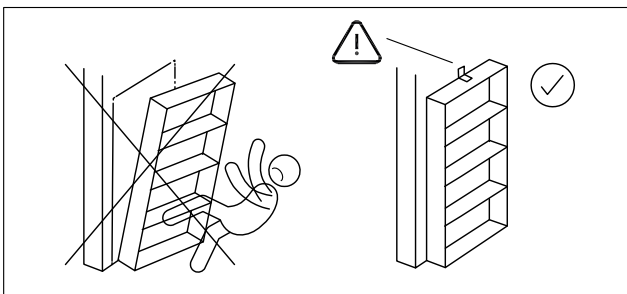
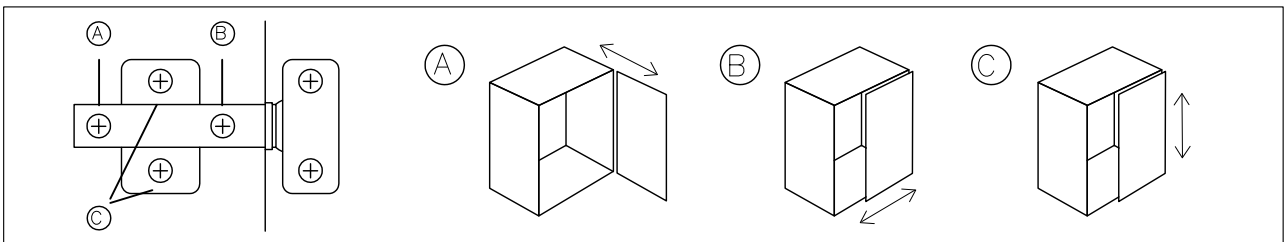
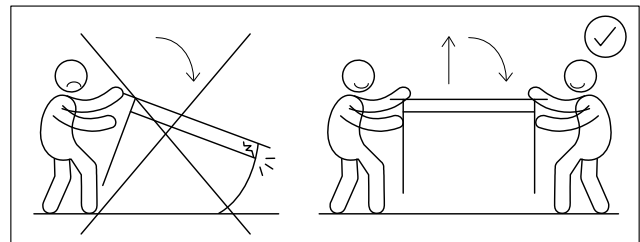
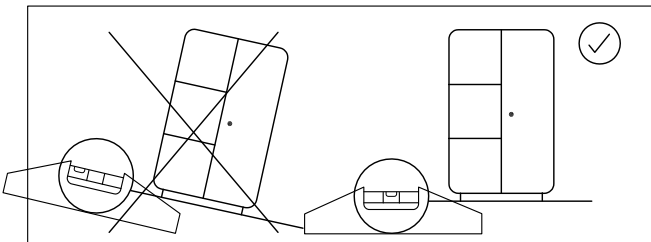
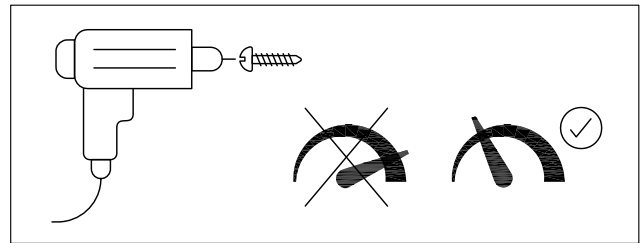
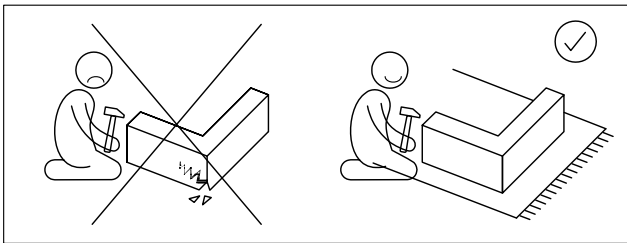
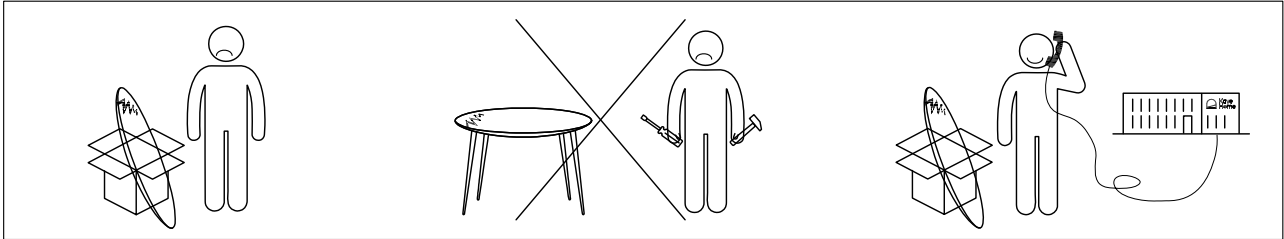
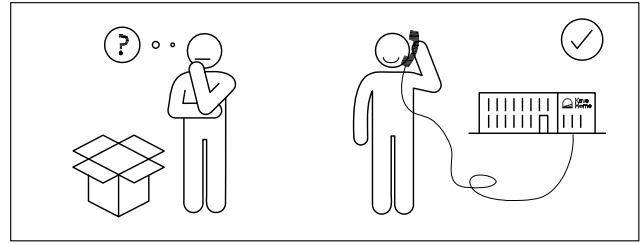
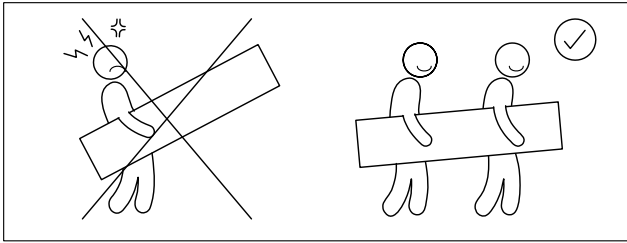
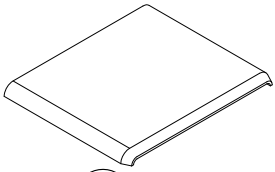
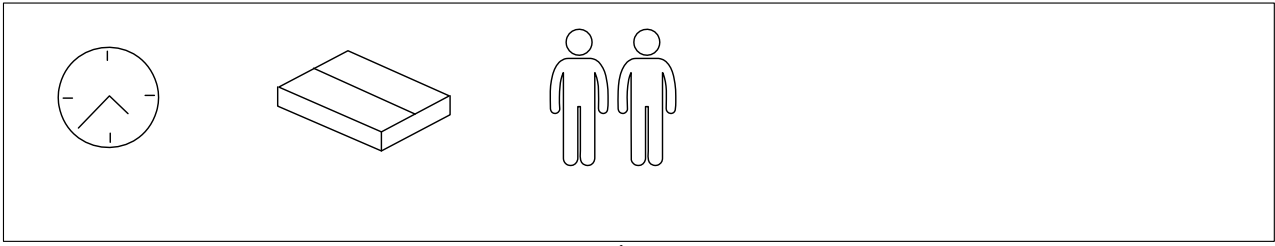
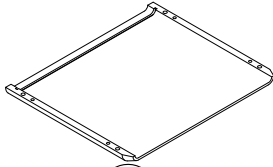


YG0132M46

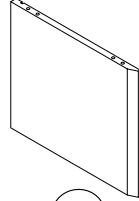




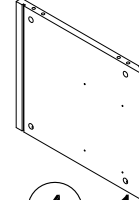
1 x1



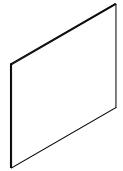
2 x1



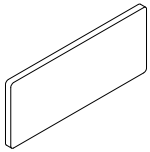
3 x1



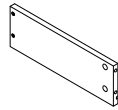
4 x1



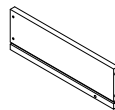
5 x1



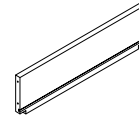
6 x2



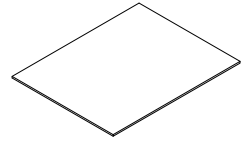
7 x2



8 x2



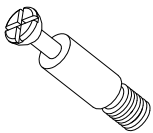
9 x2



10 x2



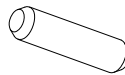
11 x4



Ax16



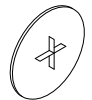
Bx16



Cx12
Ø8x30



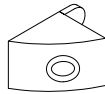
Dx8
Ø20mm



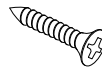
Ex8
Ø20mm



Fx4
M8x35



Gx8



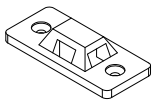
Hx8
Ø3x18



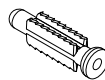
Ix12
Ø4x14



Jx8
Ø3.5x30



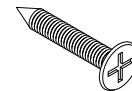
Kx2
44X20



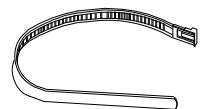
Lx2
Ø6x30



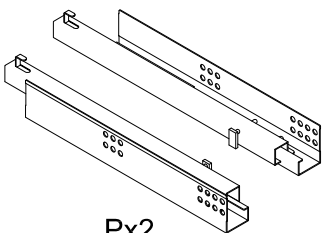
Mx2
Ø4x16



Nx2
Ø4x35

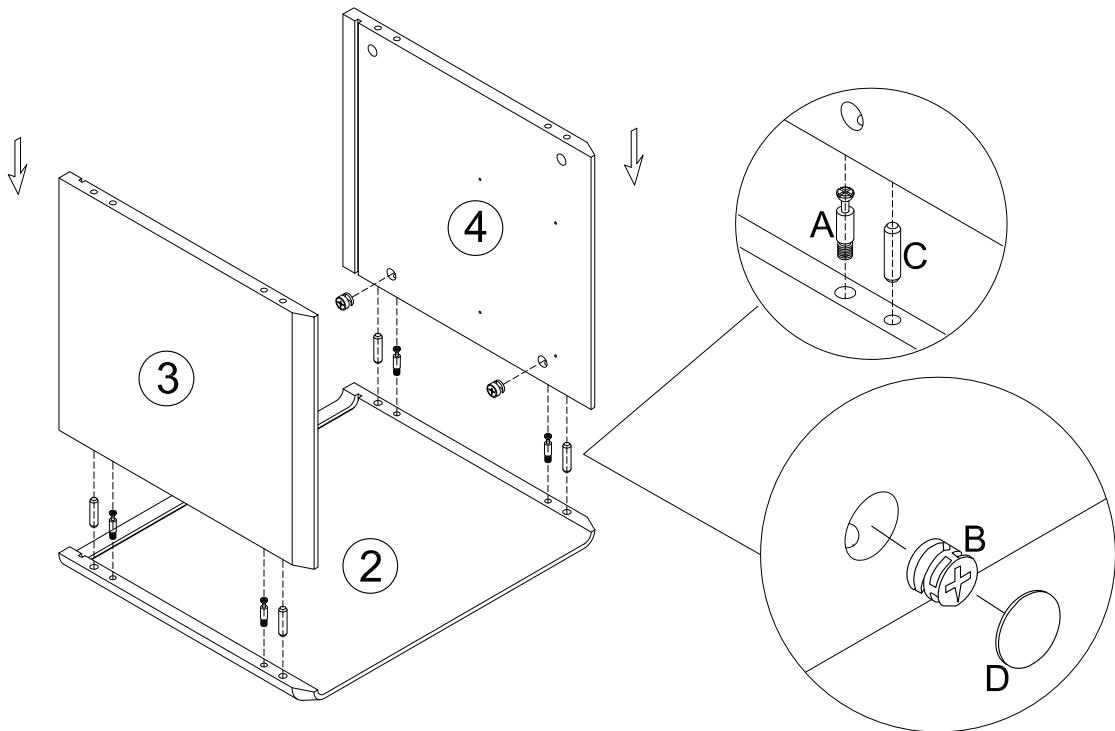


Ox1
Ø3x18

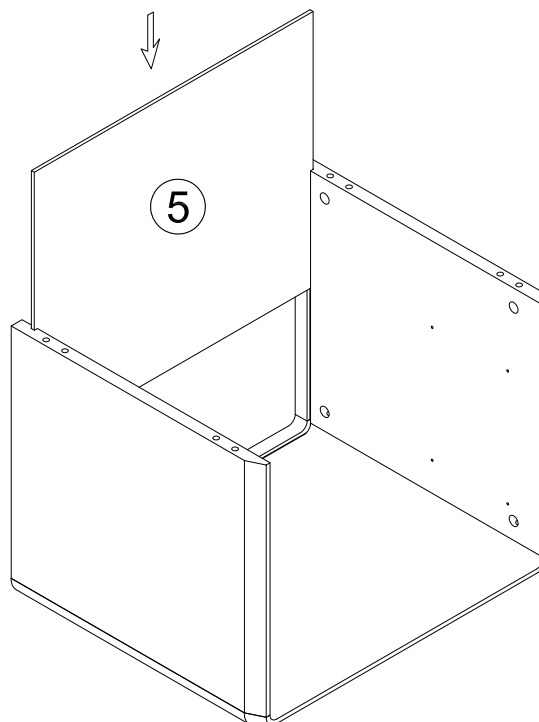


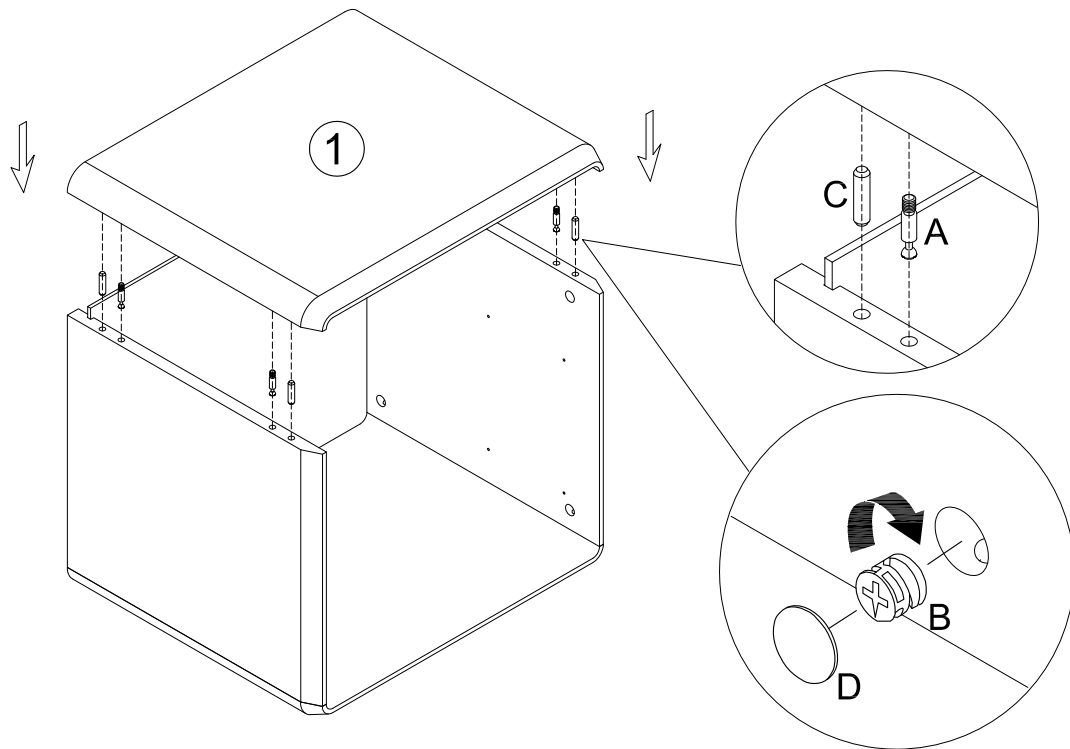
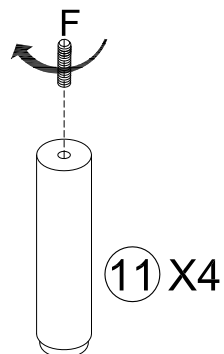
Px2

1



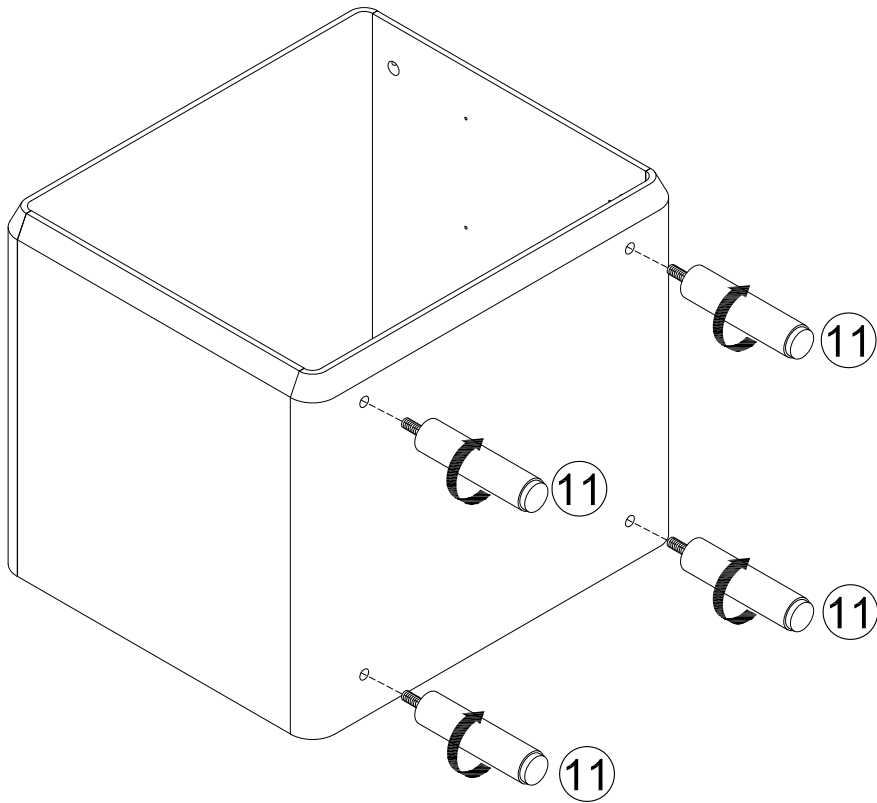
2



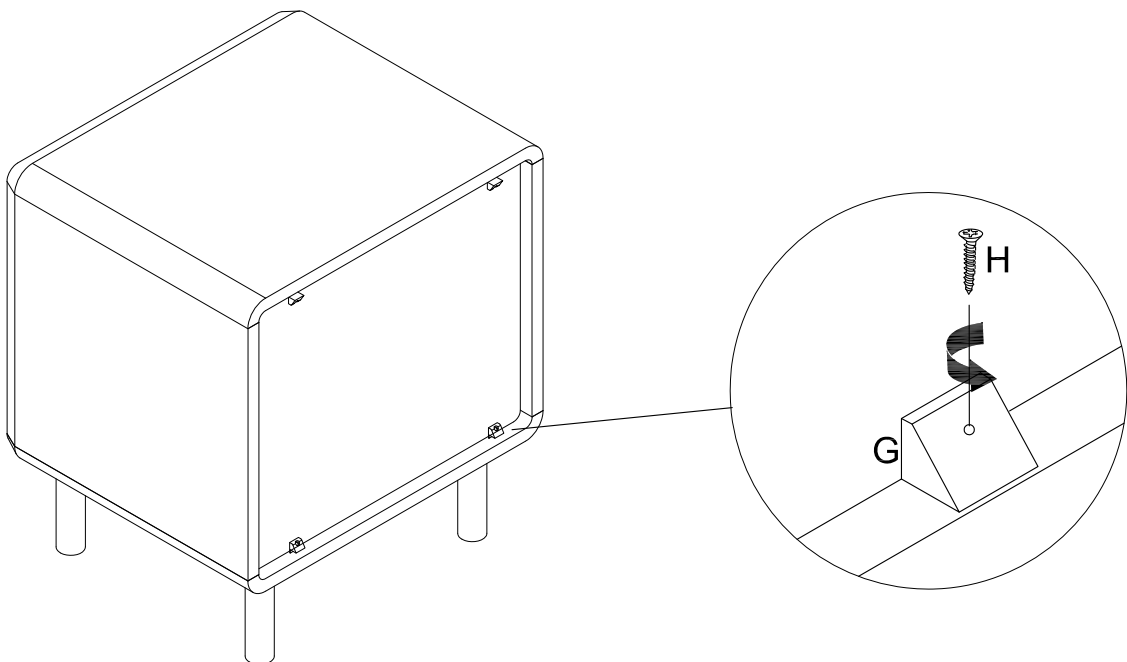
3**4**

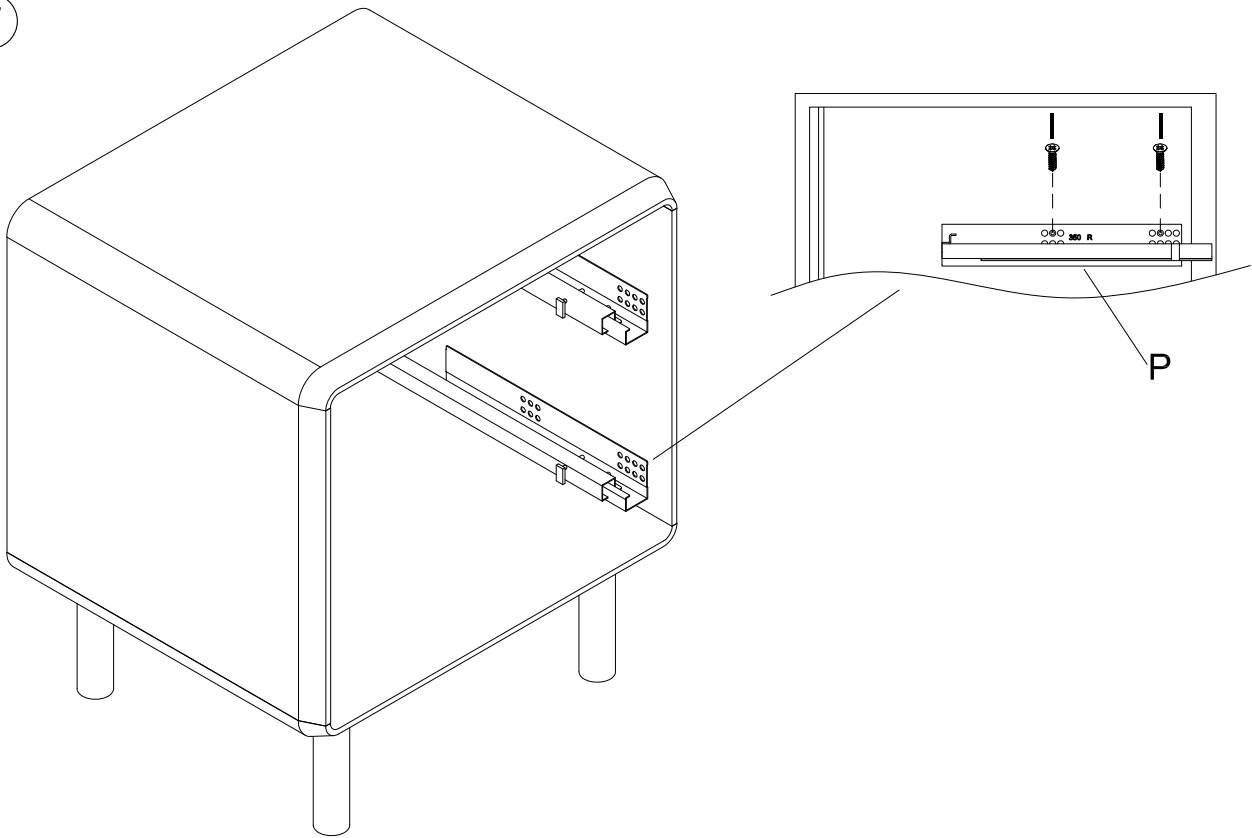
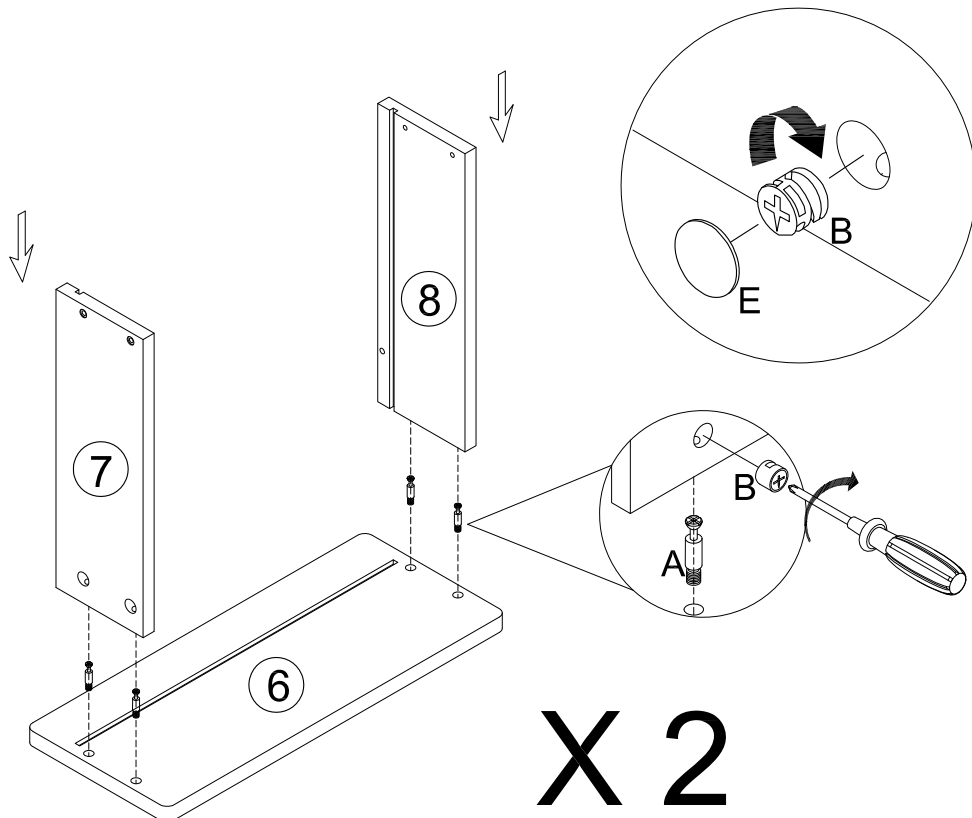
ANIELLE

5

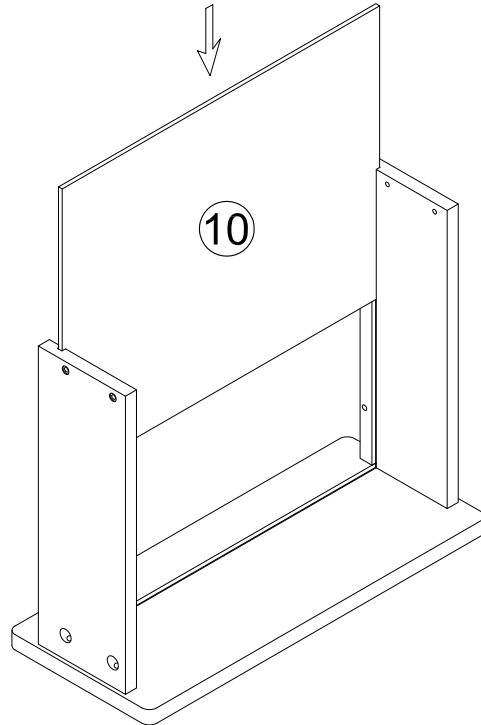


6

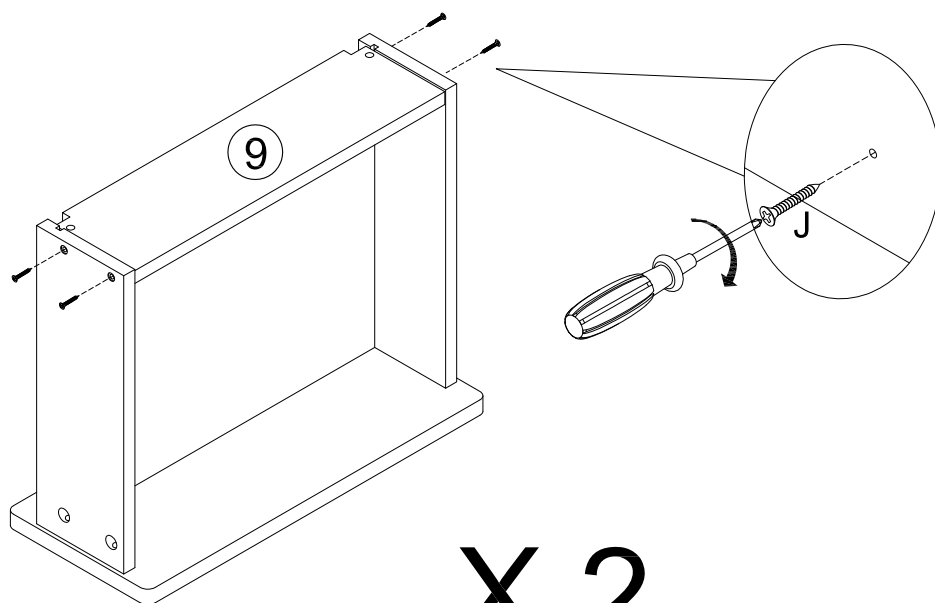


ANIELLE
7

8


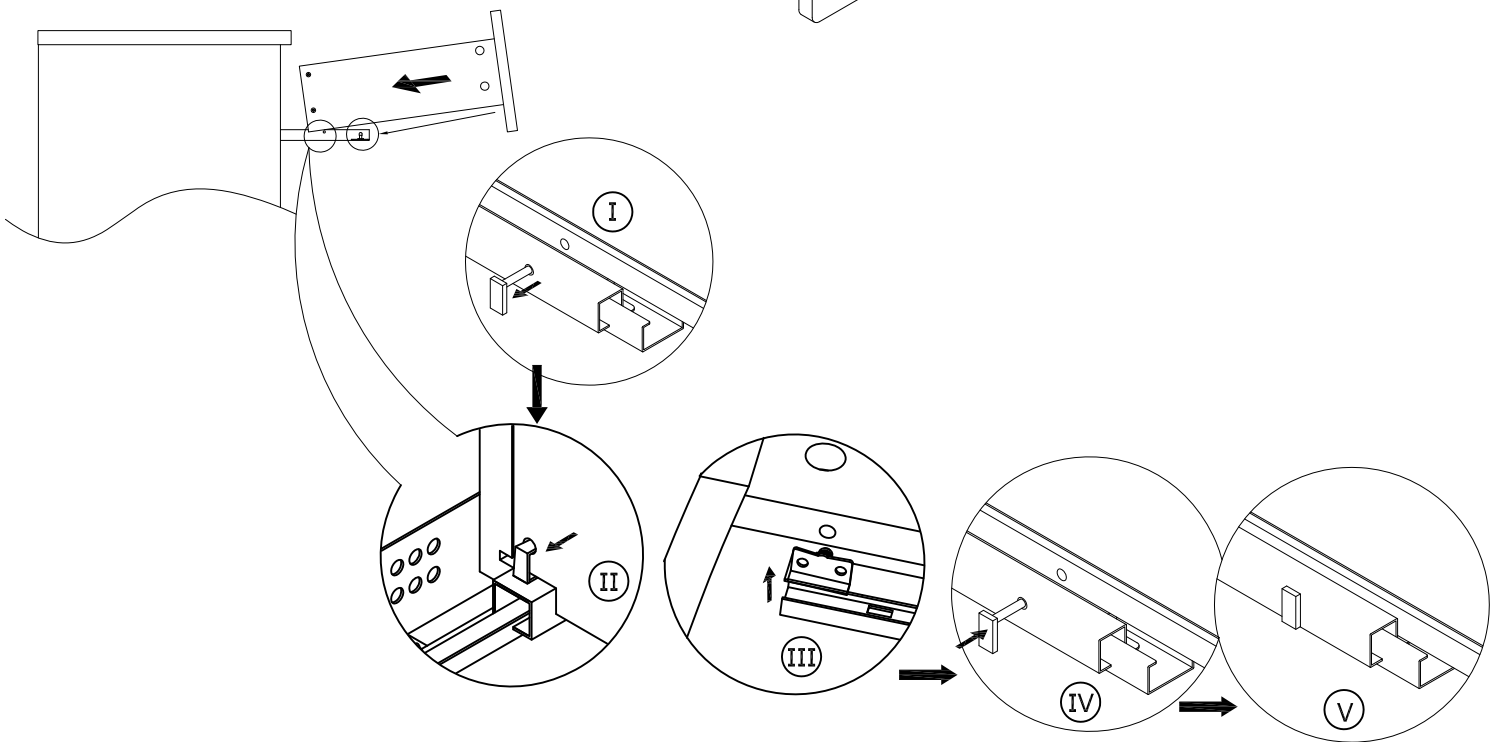
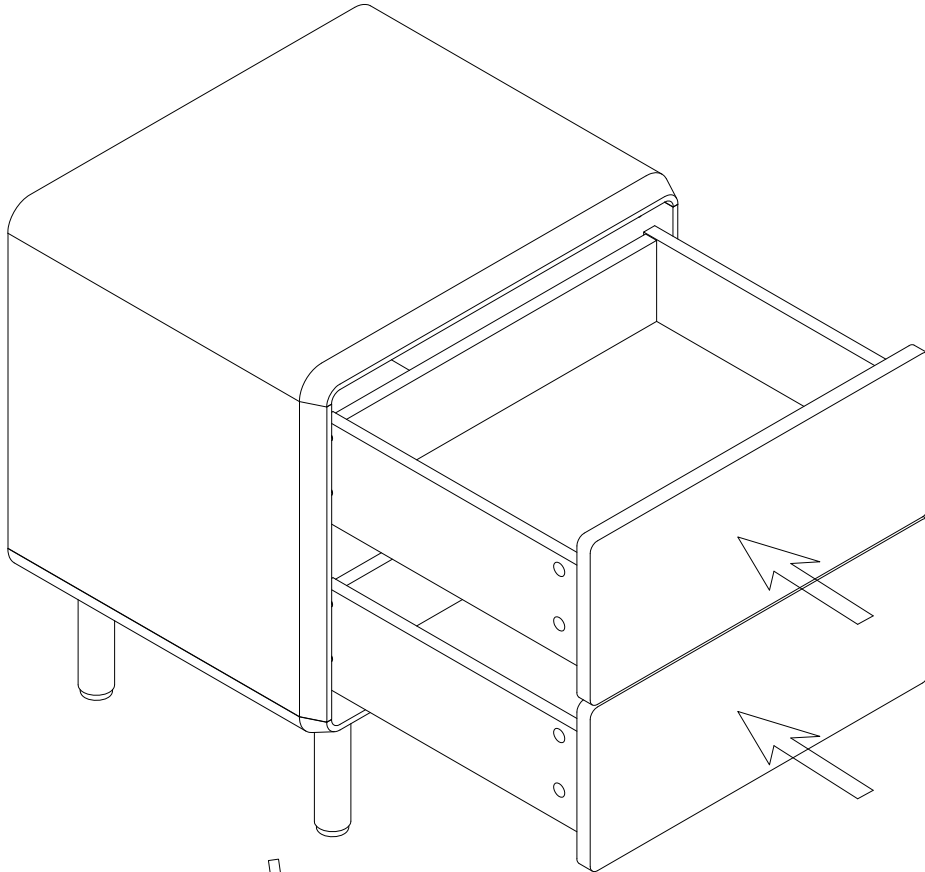
9



10

**X 2**

11



12

