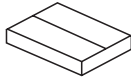




Kave® Cares



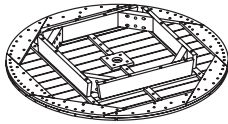
15 min



x1



x1



**A** x1



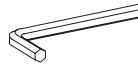
**B** x4



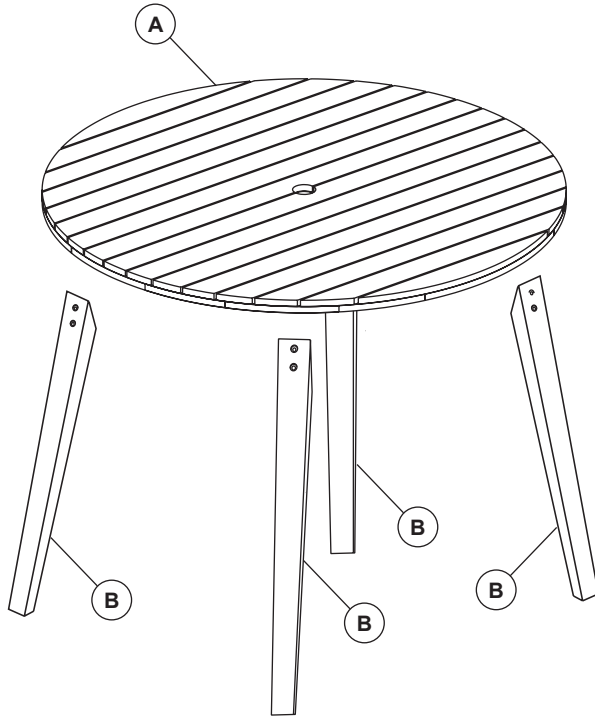
**C** x8  
M8x70mm



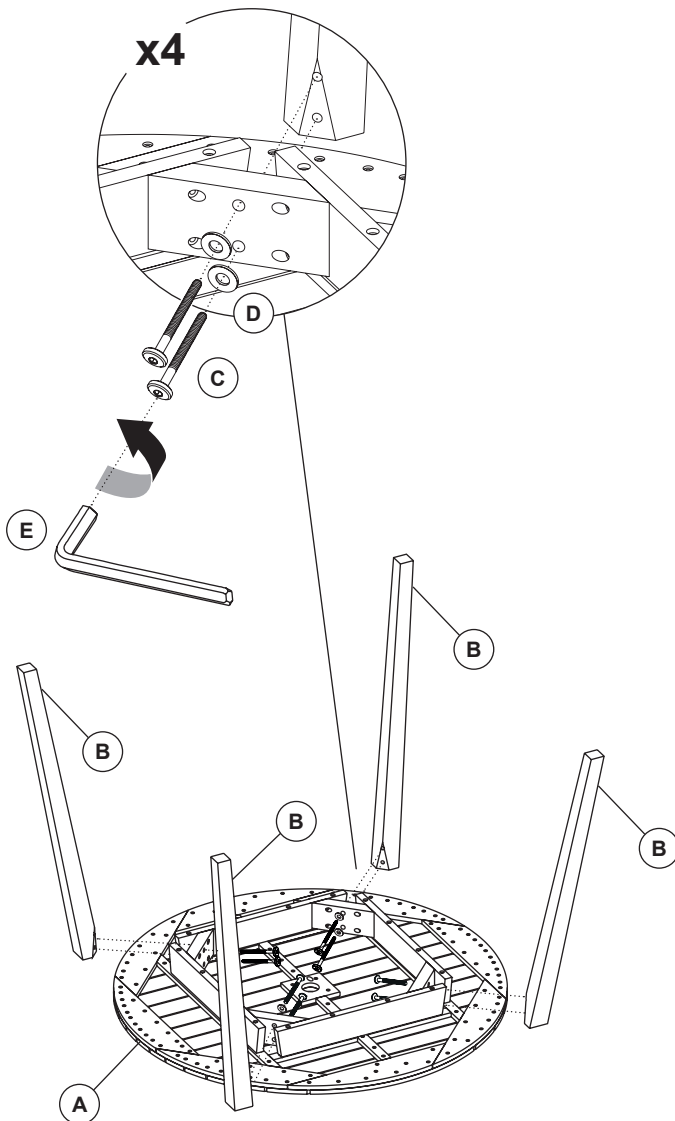
**D** x8  
M8/20x2

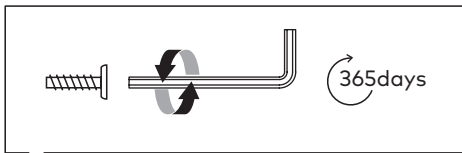


**E** x1  
4mm



1









**THAT'S ALL FOLKS!**

Share your style!

**#KaveHome**

