



**Item type**  
Dining table

**Item name**  
Melchior

**Item no**  
113270

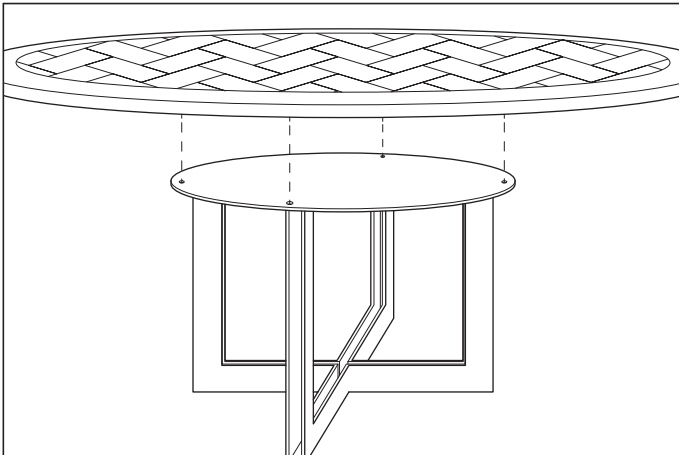
**Attention!** Place the item on a soft material on the floor before starting with the assembly, to prevent the item from being damaged.

**Care instructions:**

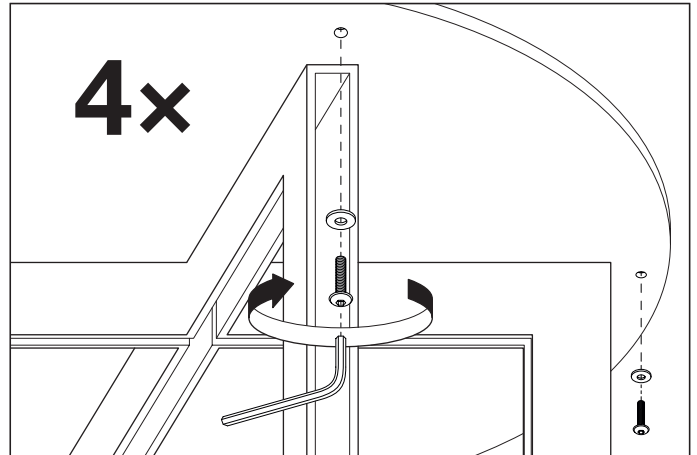
Dust regularly and clean with a soft dry cloth. Remove spills immediately as moisture can cause the veneer to peel off the surface.

**Eichholtz B.V.**  
Delfweg 52  
2211 VN Noordwijkerhout  
The Netherlands

🏠 [www.eichholtz.com](http://www.eichholtz.com)  
✉ [service@eichholtz.com](mailto:service@eichholtz.com)  
☎ +31 (0)252 515 850



1. Carefully place the table top on the metal frame and align the holes of the frame with the holes in the table top.



2. Fix the table top onto the metal frame by securing the screws with an allen key.