

Thank you for buying 'Bench 75 - table and storage shelf'

Instructions.

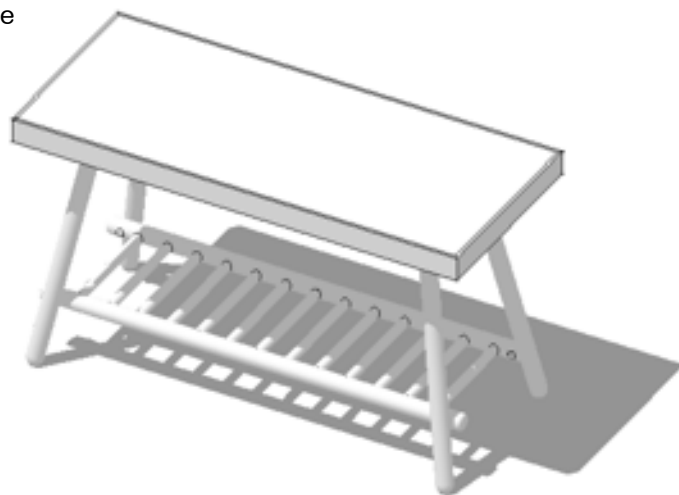
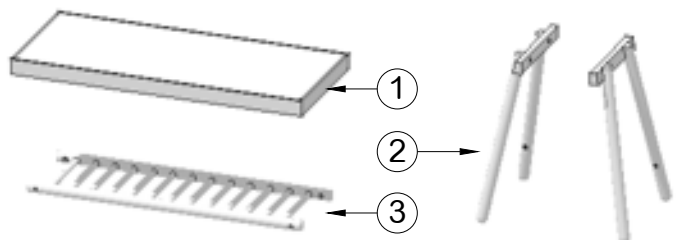
Please read the instructions and warnings carefully before use to ensure safe and satisfactory operation of this product.

Bench 75 parts:

- ① - Bench top x1
- ② - Leg pair x2
- ③ - Rack shelf x1

Fixings & tools:

- Ⓐ - Screws x8
- Ⓑ - Wooden plugs x4
- Ⓒ - Allen key

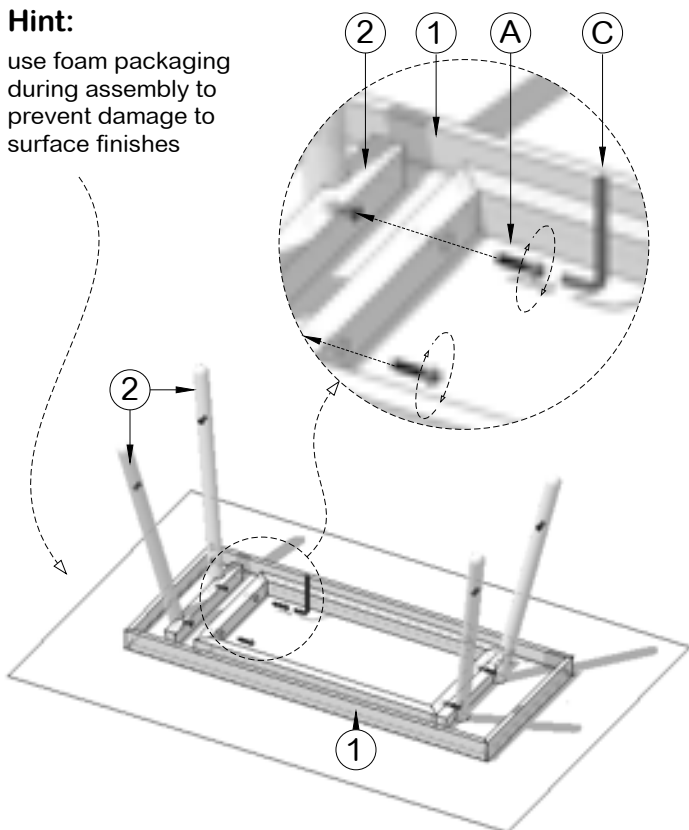


Step 1:

Fit both leg pairs ② to the bench top ① using 4 screws Ⓐ

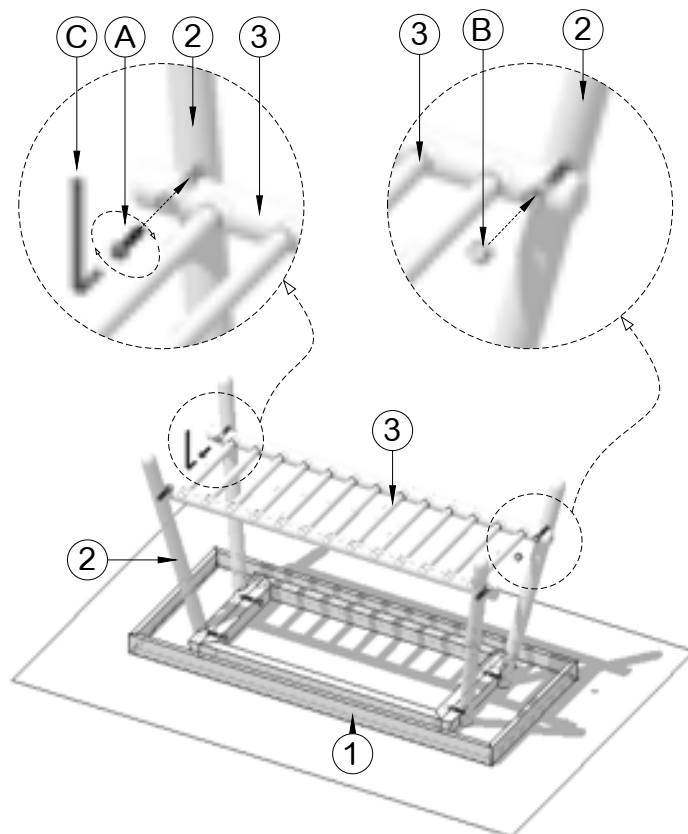
Hint:

use foam packaging during assembly to prevent damage to surface finishes



Step 2:

Secure rack shelf ③ to legs using screws Ⓐ. Before fully tightening, stand the bench on flat surface and check stability. Tighten screws Ⓐ fully. Push wooden plugs Ⓑ into screw holes.



Warnings:

Fit in accordance with manufacturers instructions. Avoid contact with water and liquids as this may cause damage to surface finishes. Maximum load: bench top 90kg, rack shelf 10kg. Check stability before use.

Cleaning:

Wipe using a damp cloth with mild soap solution; do not use abrasive cleaners as these may damage the surface finish.

Supplied by Wireworks; 4 Gibbs Hill, Headcorn, Ashford, Kent TN27 9UD.
www.wireworks.co.uk

wireworks
london