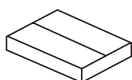
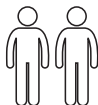




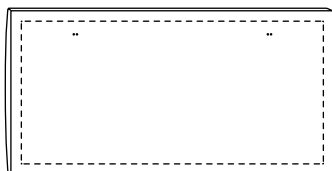
15 min



x2



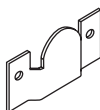
x1



**A** x1



**B** x1



**C** x4

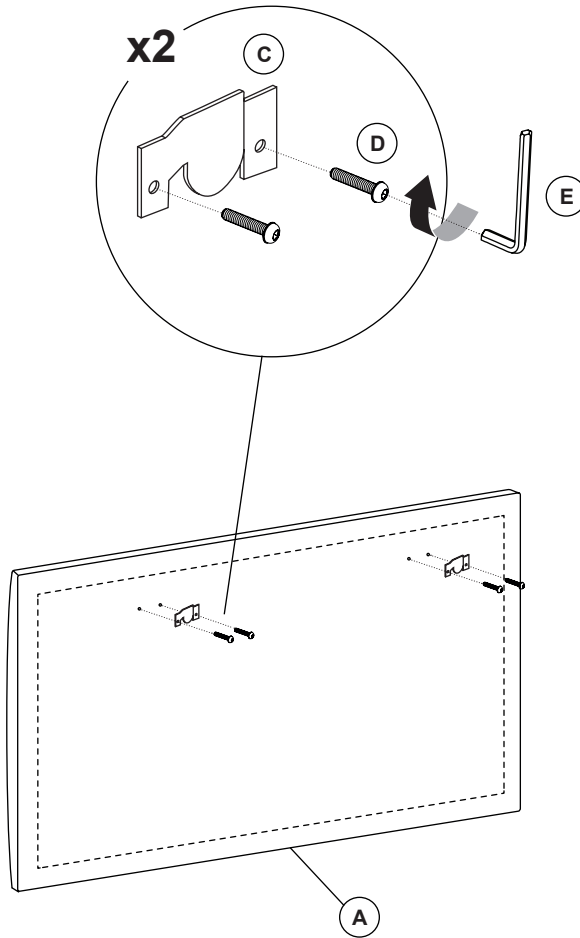


**D** x4

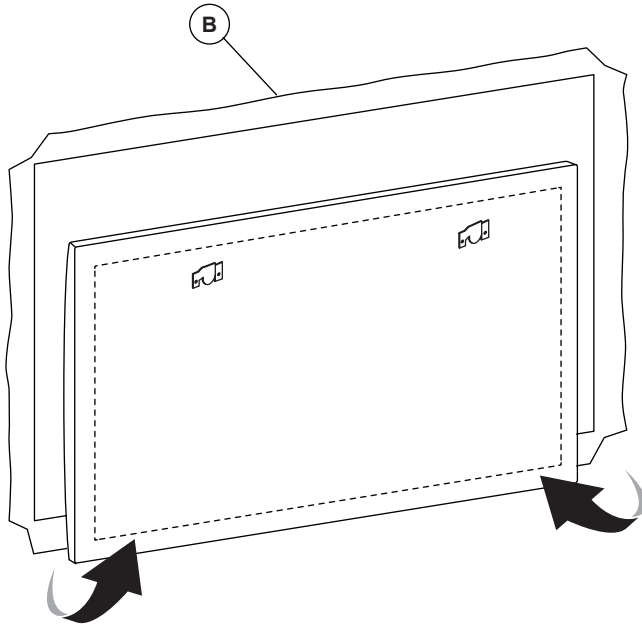


**E** x1

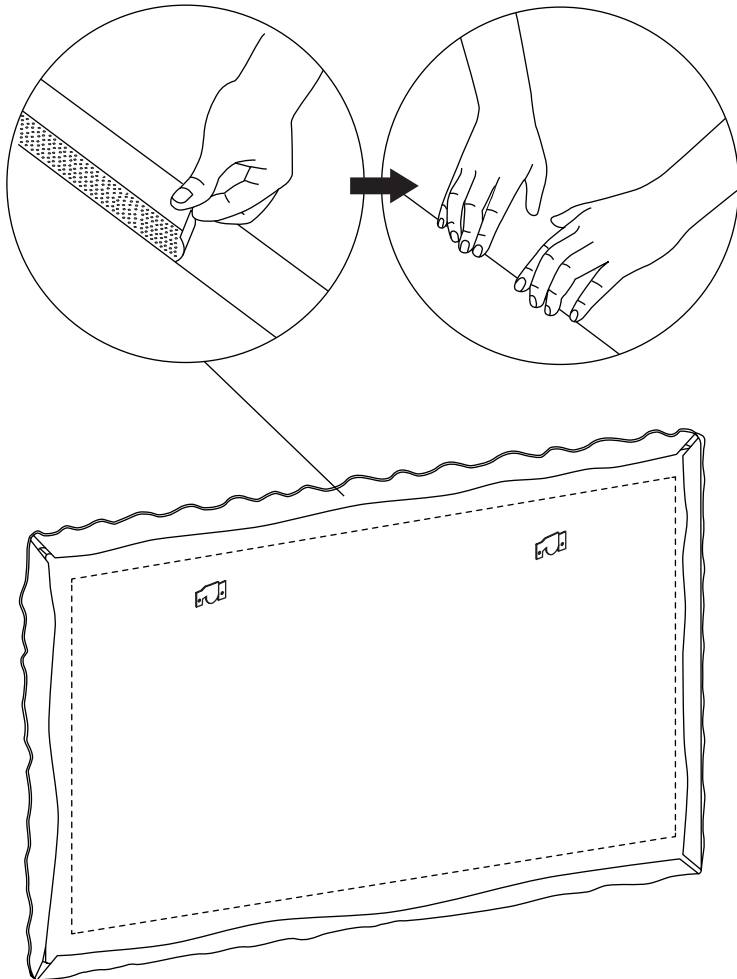
1



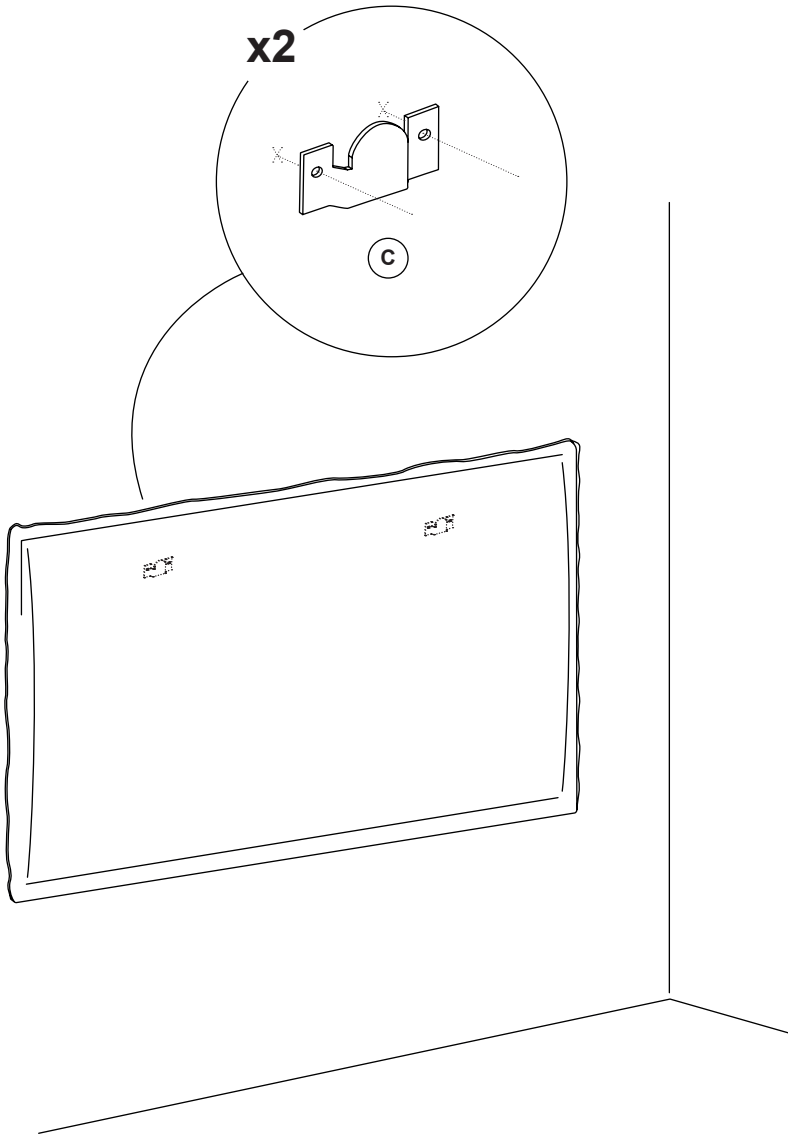
2



3



4





**THAT'S ALL FOLKS!**

Share your style!

**#KaveHome**

