

Item type

Mirror

Item name

Duras

Item no

114932

Attention! When drilling into walls always check that there are no hidden wires or pipes. Make sure that the screws and wall plugs being used are suitable for your wall type.

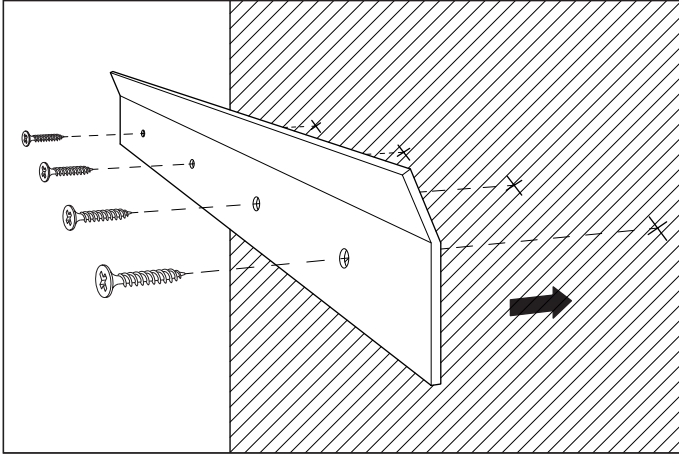
Care instructions:

Plain hot water makes the best everyday cleaner for glass surfaces and mirrors. Use appropriate glass cleaning solutions and a microfiber cloth for cleaning.

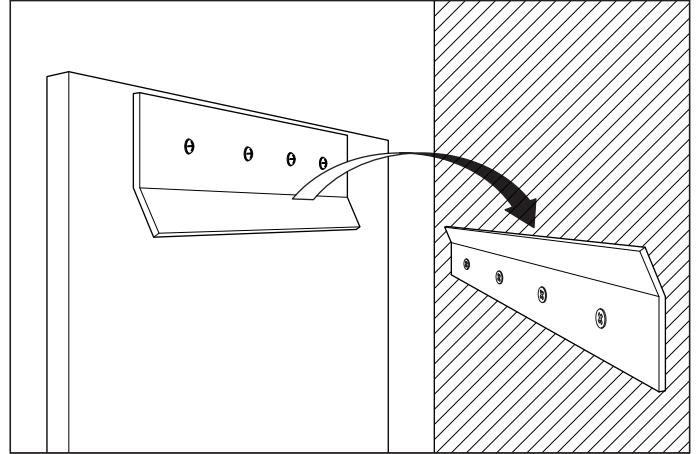
Eichholtz B.V.

Delfweg 52
2211 VN Noordwijkerhout
The Netherlands

🏠 www.eichholtz.com
✉ service@eichholtz.com
☎ +31 (0)252 515 850



1. Fix the wall plate to the wall by using wall mounting plugs and screws suitable for your wall type.



2. Slide the mirror plate on to the wall plate. Make sure to check if the mirror is actually hanging correctly, before letting go of the mirror.