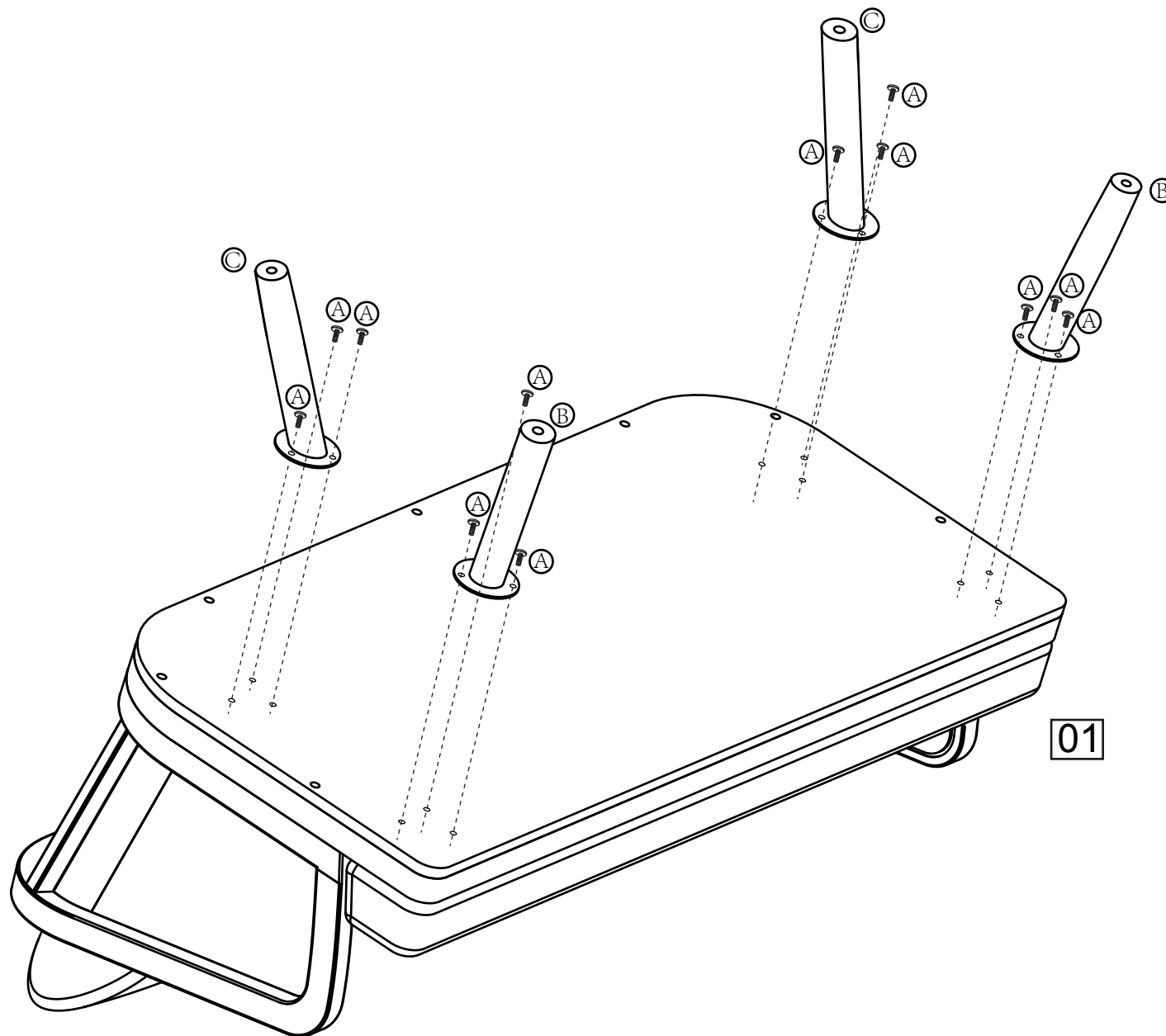


## COMPONENT PARTS

## FITTINGS



Ⓐ	 (M6×20mm)	×12
Ⓑ		×2
Ⓒ		×2

## COMPONENT CHECKLIST

PART	No. Qty.	
Seat	01	1 <input type="checkbox"/>

## TOOLS REQUIRED



Allen key (supplied)