

**Item type**

Chandelier

**Item name**

Tortora

**Item number(s)**

112071

**Attention!**

Turn off the electricity supply at the main circuit panel before installing.  
Do not connect the electricity supply until your luminaire is fully assembled and installed.

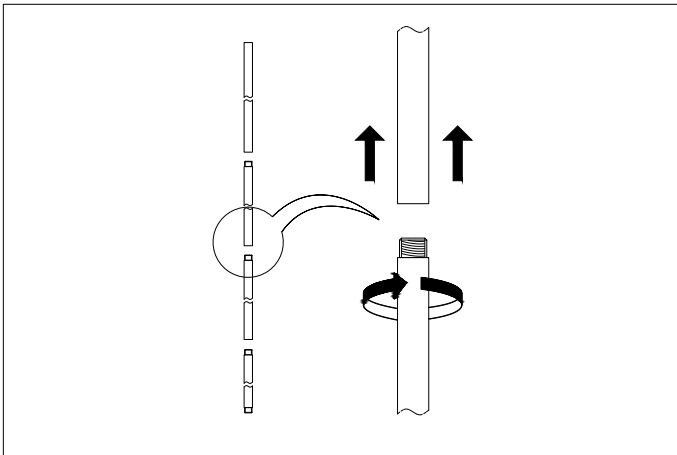
**Care instructions:**

Wipe with a soft cloth, do not use chemicals or abrasive cleaning materials.

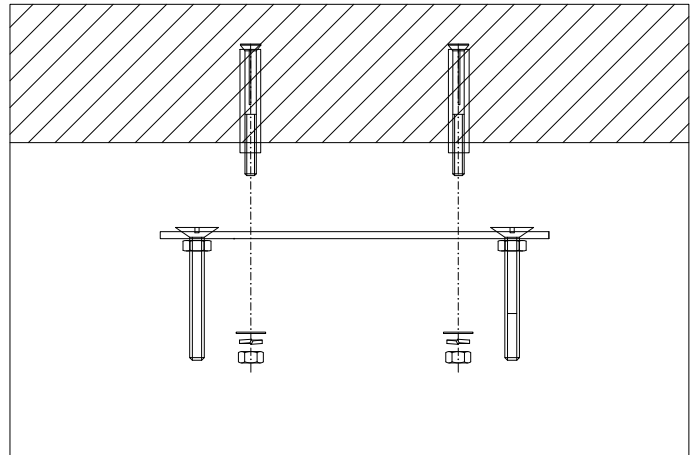
**Eichholtz B.V.**

Delfweg 52  
2211 VN Noordwijkerhout  
The Netherlands

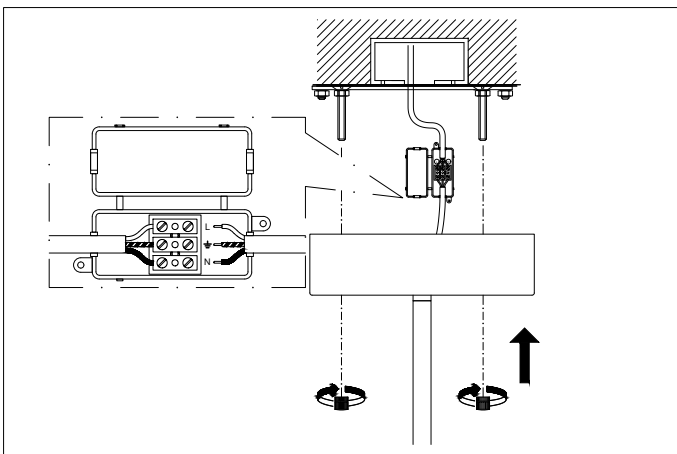
🏠 [www.eichholtz.com](http://www.eichholtz.com)  
✉ [service@eichholtz.com](mailto:service@eichholtz.com)  
☎ +31 (0)252 515 850



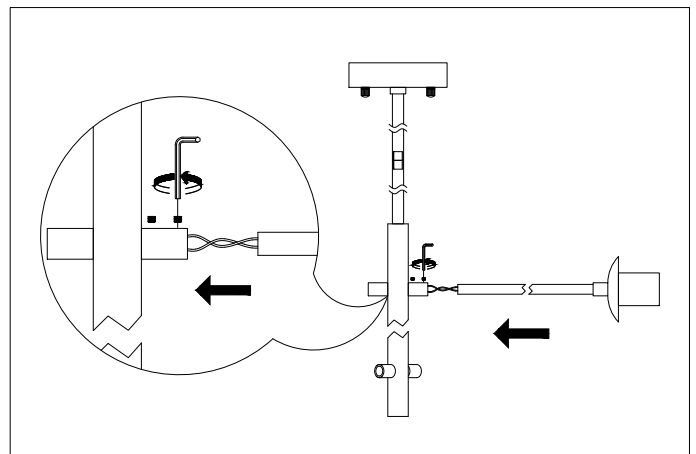
**1.** Determine the desired height of the lamp and use either one, two or three of the pipes supplied. Thread the wires through the pipe.



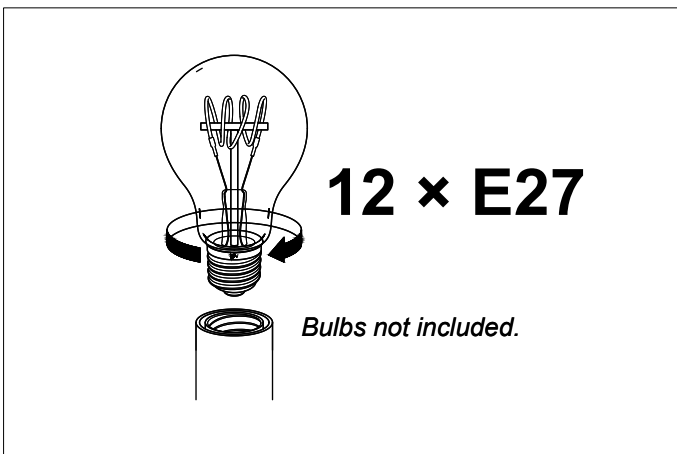
**2.** Fix the ceiling plate to the ceiling by using mounting plugs and screws suitable to your ceiling type.



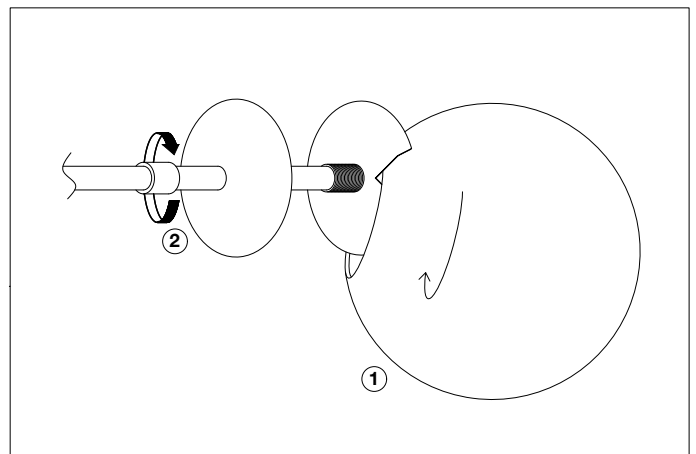
**3.** Connect the 3 wires according to their colours. Black is the live wire (L), white is the neutral wire (N) and brass wire is the earth wire ( $\perp$ ). Place the ceiling canopy over the ceiling plate and fix it securely with the nuts.



**4.** Put the arms in to the lamp frame. Fix them with the allen screws.



**5.** Place the bulbs.



**6.** Place the glass over the lamp holder by tilting it around the gap in the plate and rotating it (1). Align the glass with the lamp holder. Fix the glass by tightening the nut at the back (2).