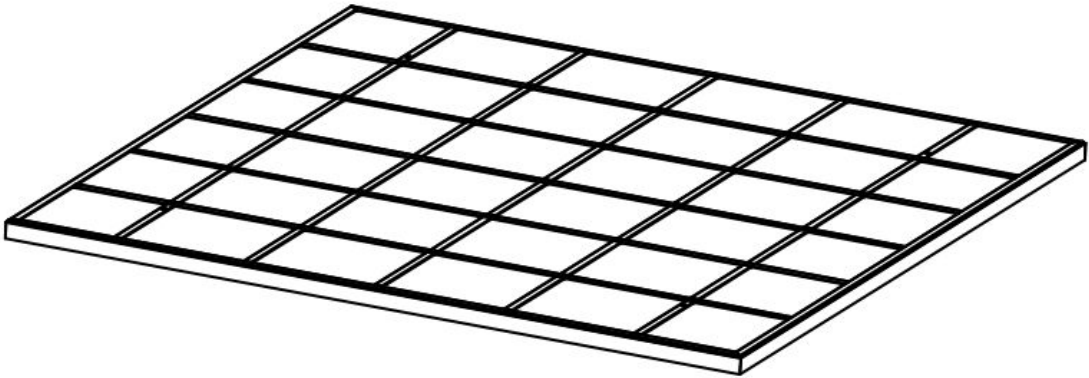


ASSEMBLY INSTRUCTION

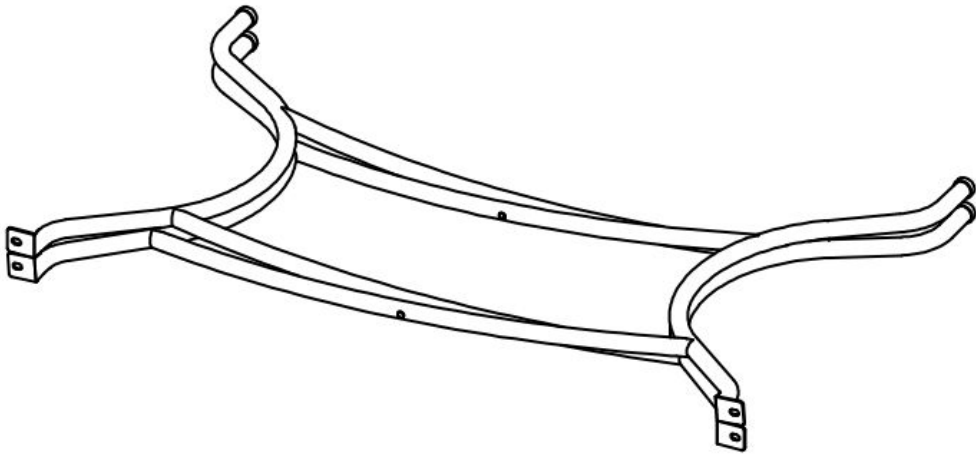





COMPONENT LIST

P1

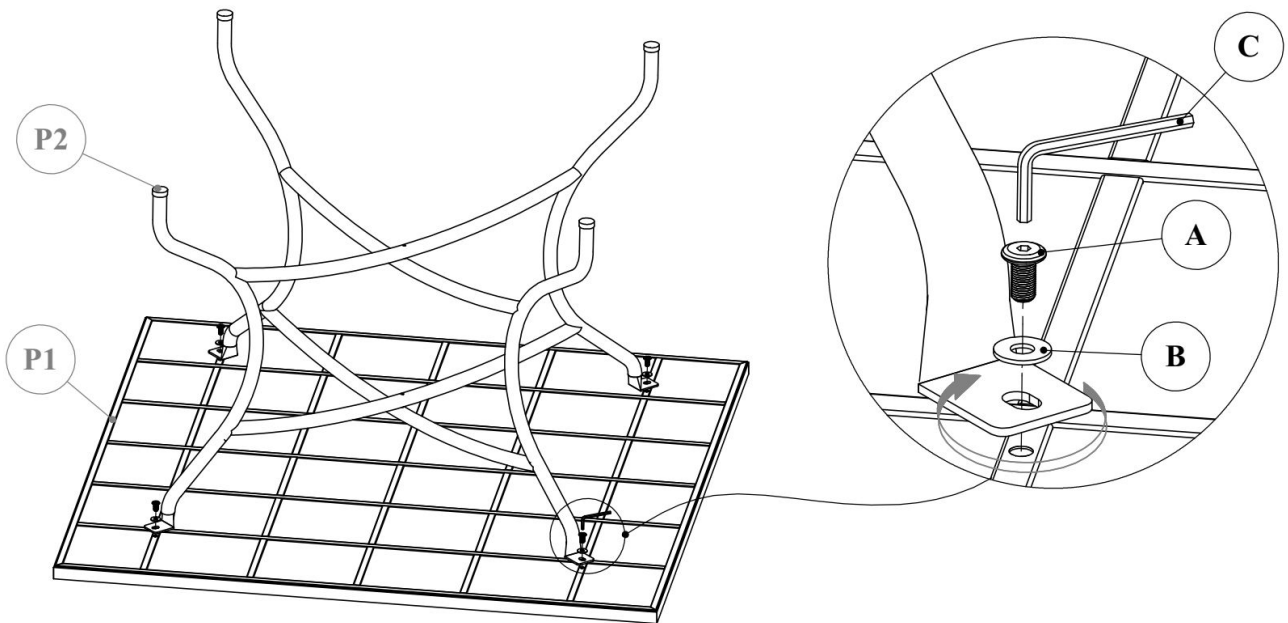


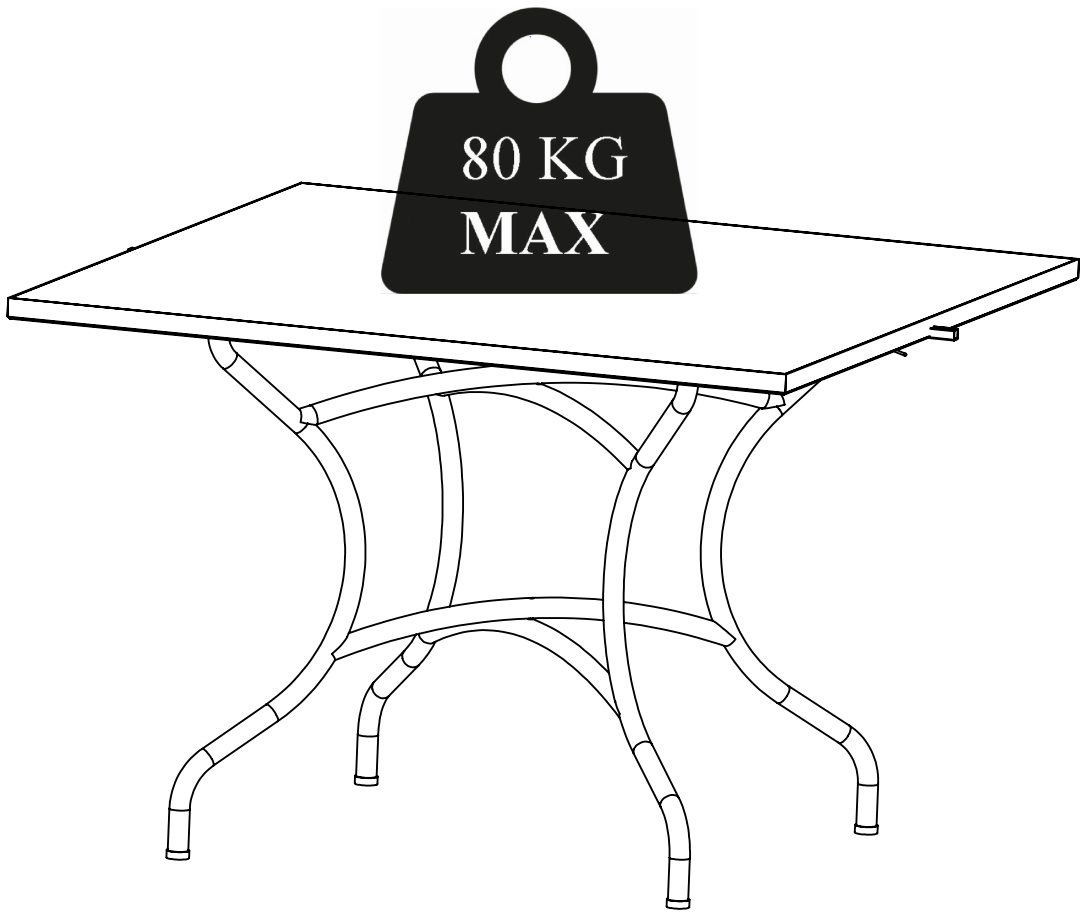
P2



A		M8x15	04 pcs
B		$\phi 8 \times \phi 19$	04 pcs
C		Key 4	01 pc

INSTRUCTION





MOSAIC SURFACE MATERIAL AND CARE

- The tiles on this mosaic table are made from ceramics and treated with waterproof protection. The grouts are made from concrete which is an organic material. The organic material cannot take any kind of acid. So be careful with e.g. red wine, juice, lemon and certain detergents.
- If placing hot items on the mosaic table top, it may break down the surface treatment and leave marks on the tabletop.

***Bloomingville**[®]
-EVER CHANGING HOMES