

Bolia.com

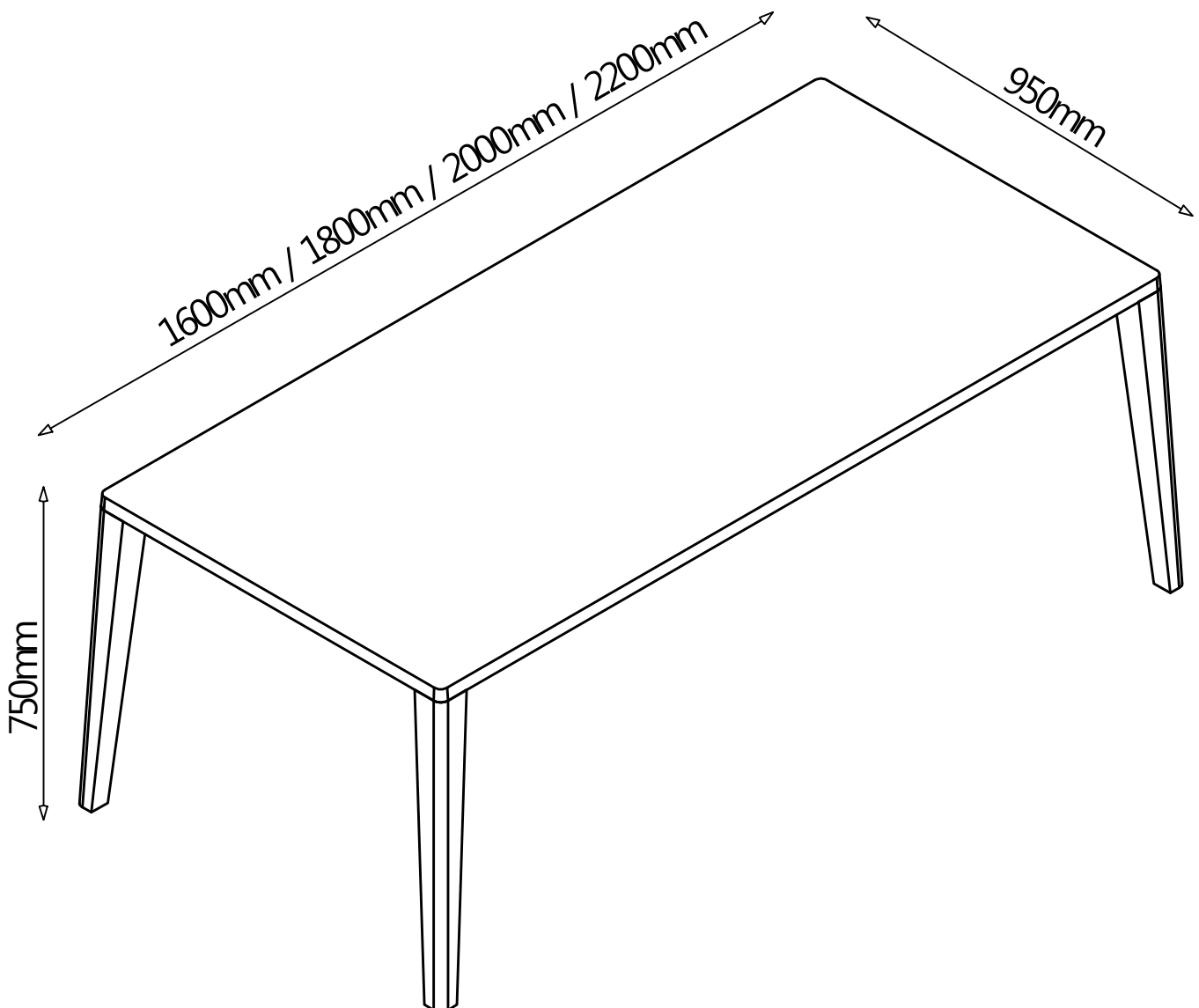
new scandinavian design

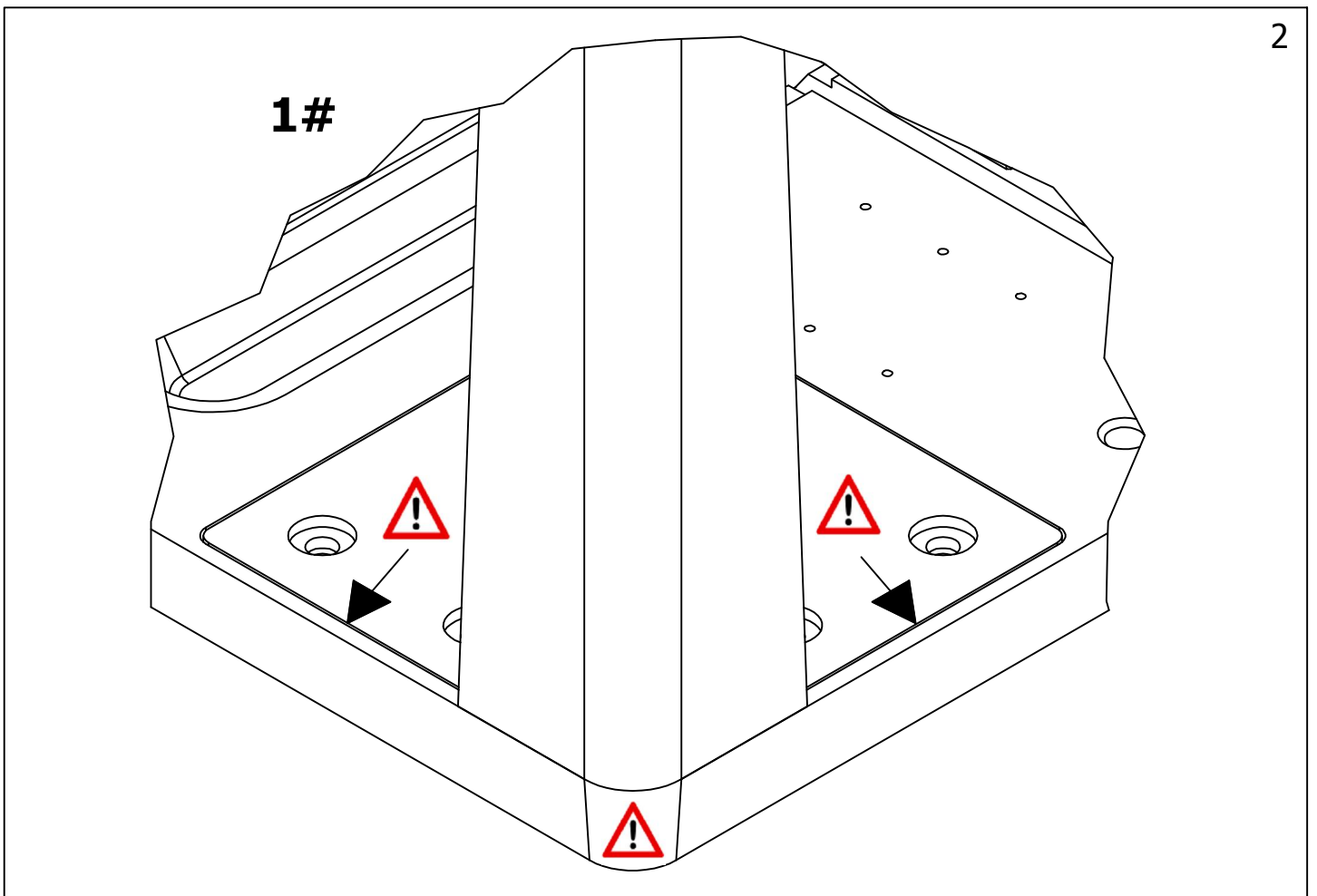
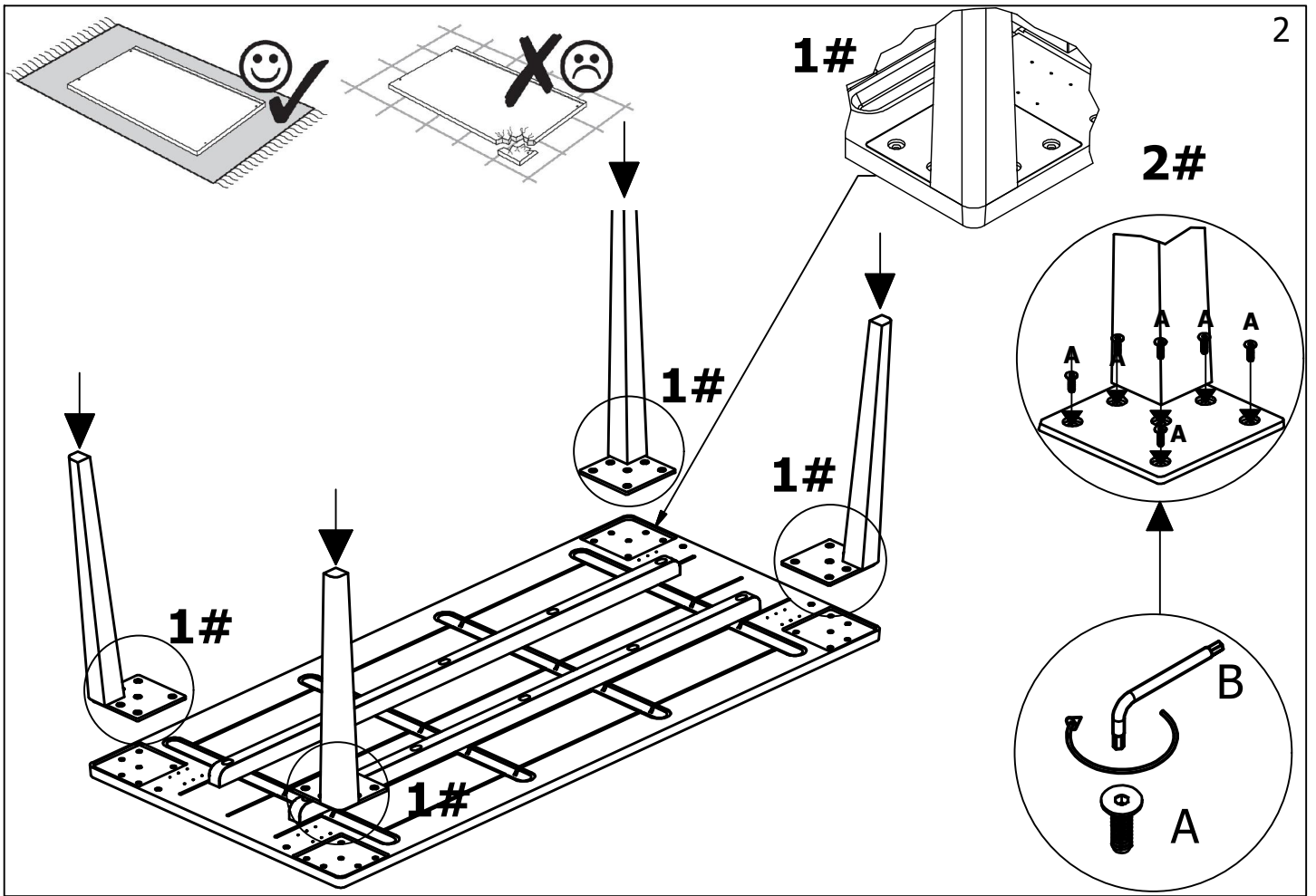
Vaerkmestergade 11,1
8000 Aarhus C

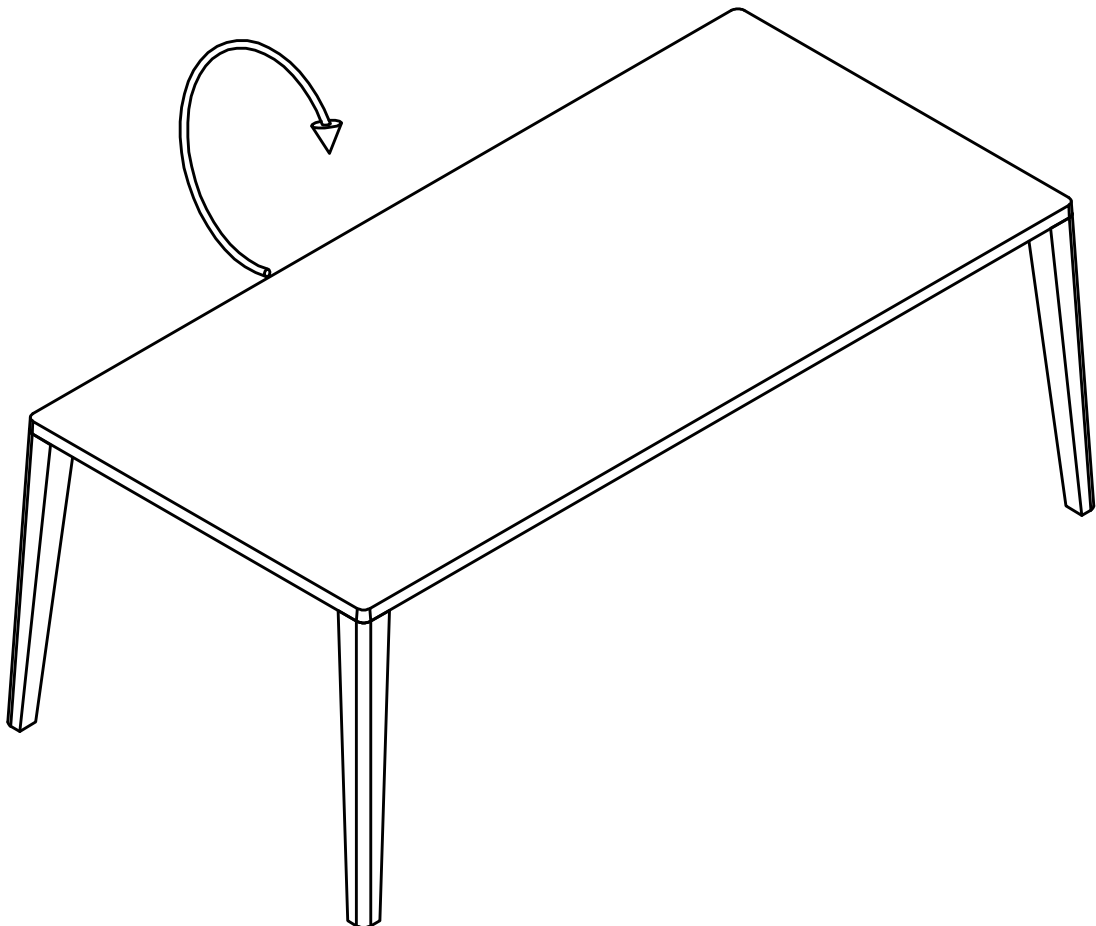
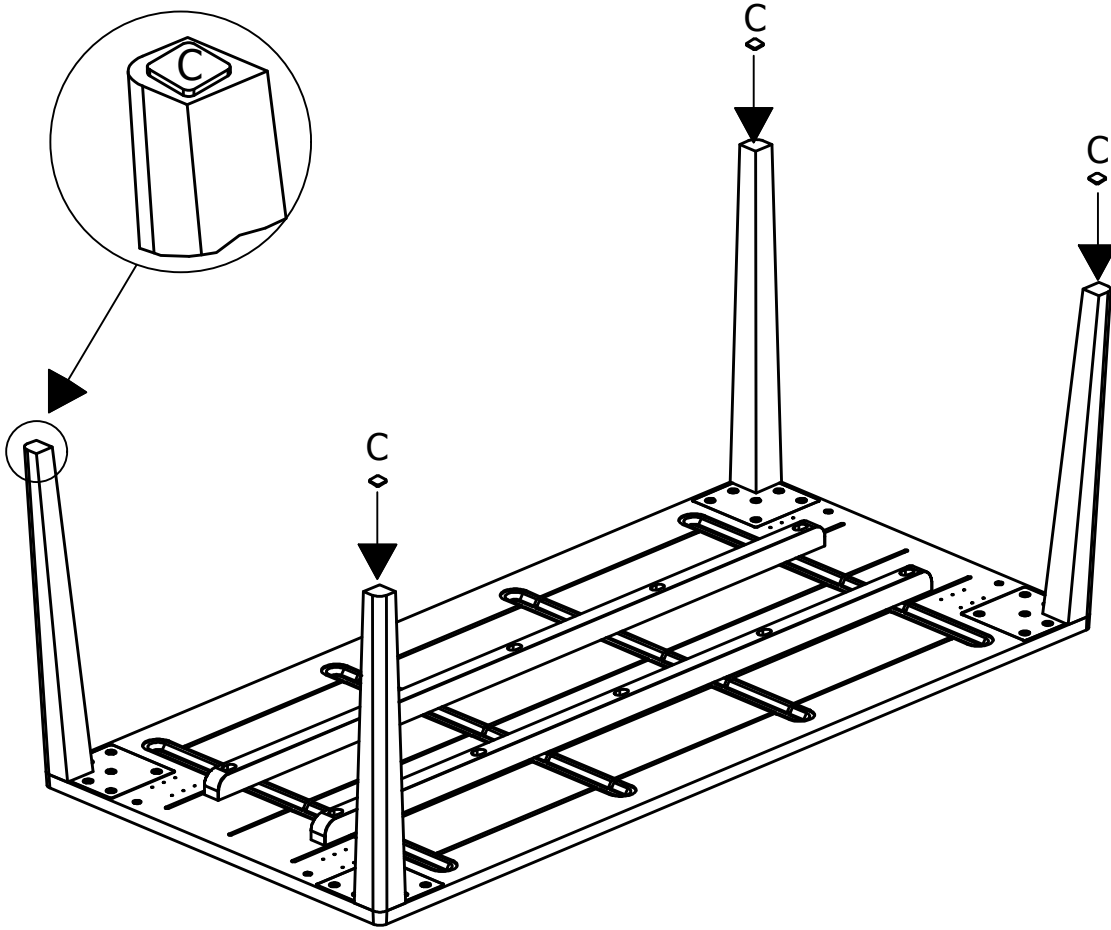
Graceful Dining Table

Designer - Michael H. Nielsen

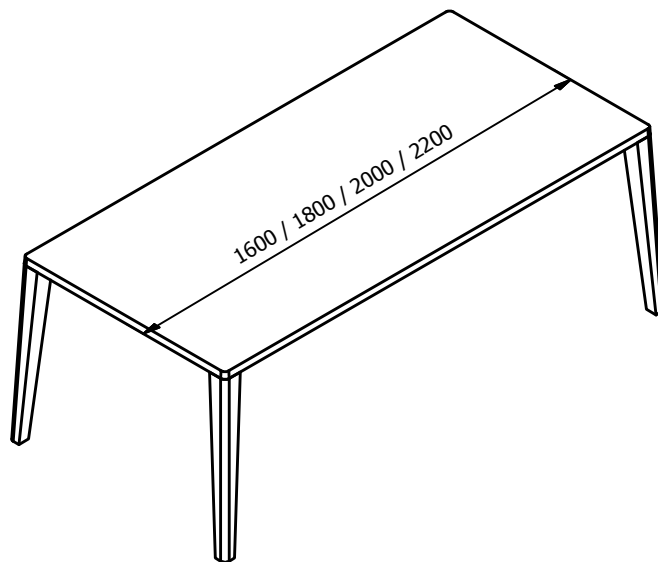
Ver.004-March/2019



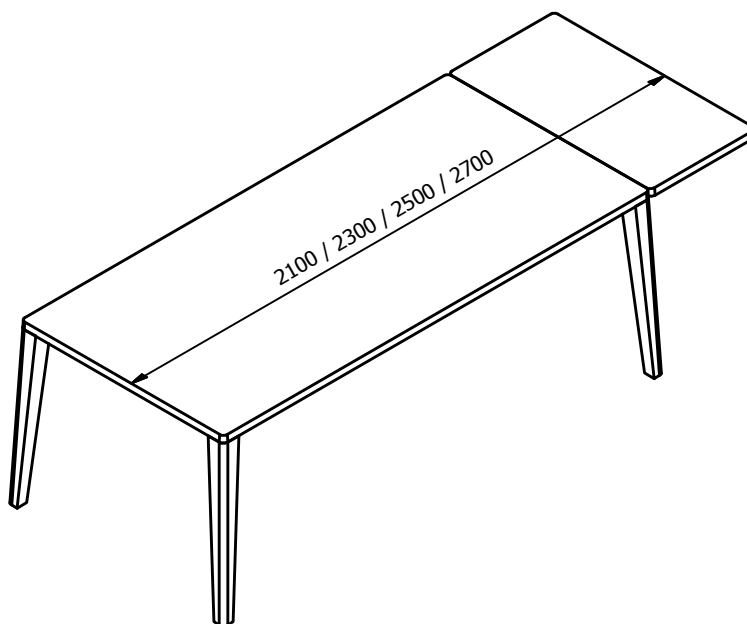




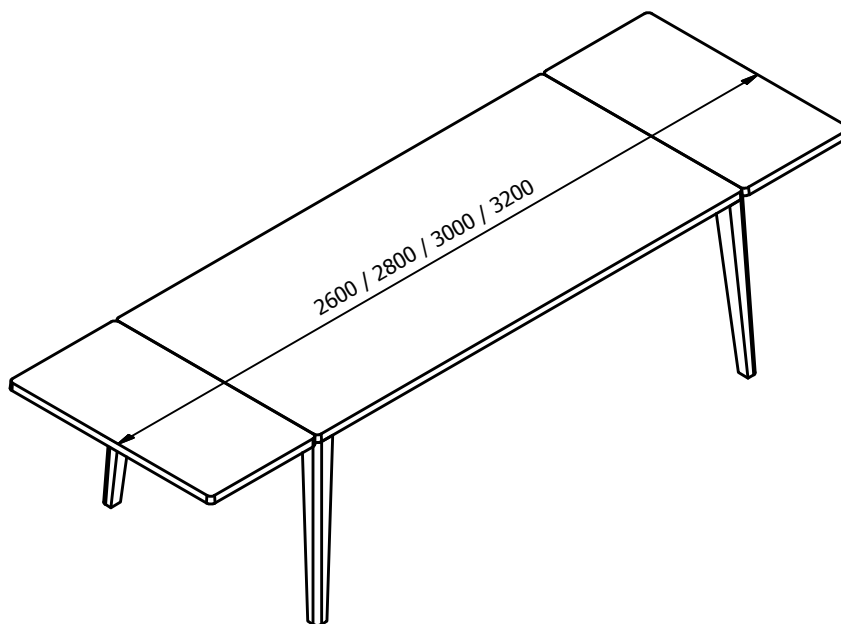
OPTION A:



OPTION B:

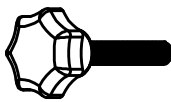


OPTION C:



E $\varnothing 4 \times 45$ mm = 6



F  = 2

D $\varnothing 4 \times 25$ mm = 12



3	1x
4	2x
5	2x

Per extension

