

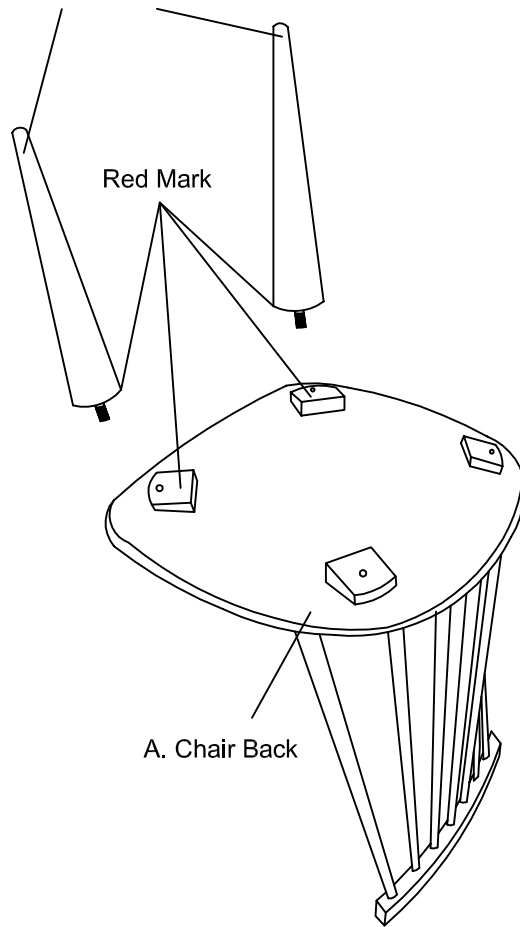
ASSEMBLY INSTRUCTION



No	Part List (Each Chair)	Qty
A	Chair Back	1
B	Long Legs	2
C	Short Legs	2

STEP 1

B. Long legs

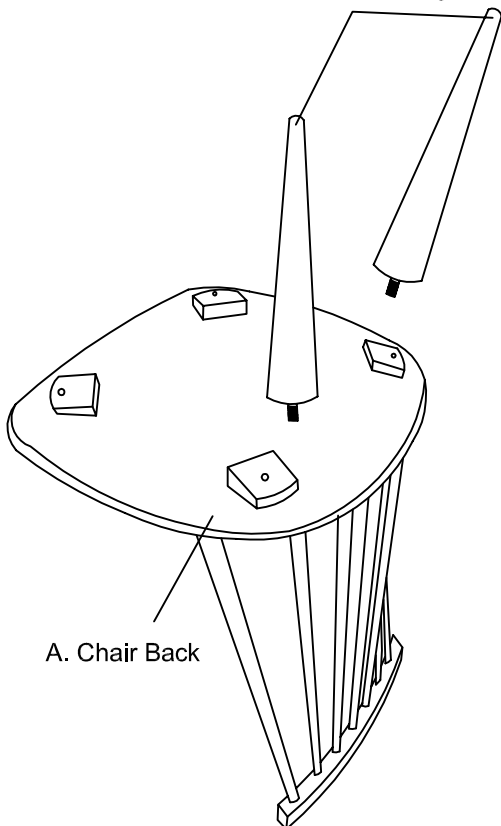


Red Mark

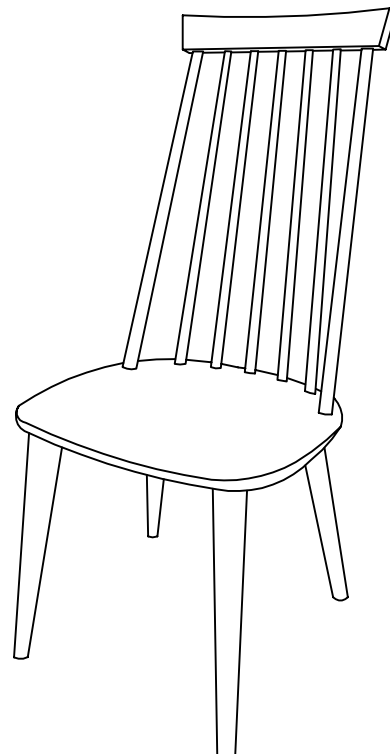
A. Chair Back

STEP 2

C. Short Legs



A. Chair Back



**CONGRATULATION !
YOUR CHAIR IS NOW READY FOR USE.**