

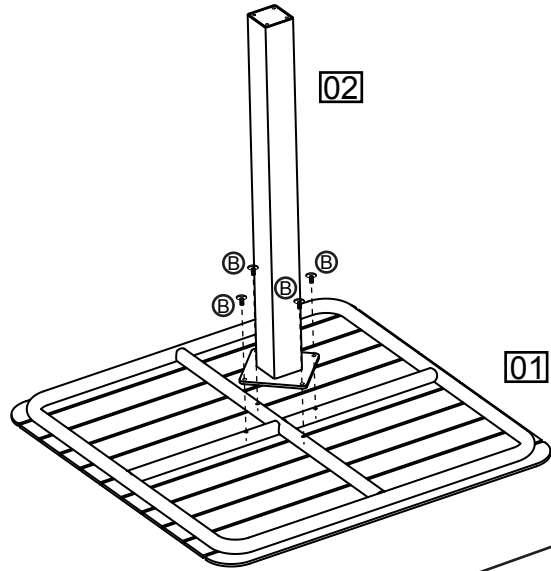
GARDEN BISTRO TABLE VONDEL

ZUIVER^o

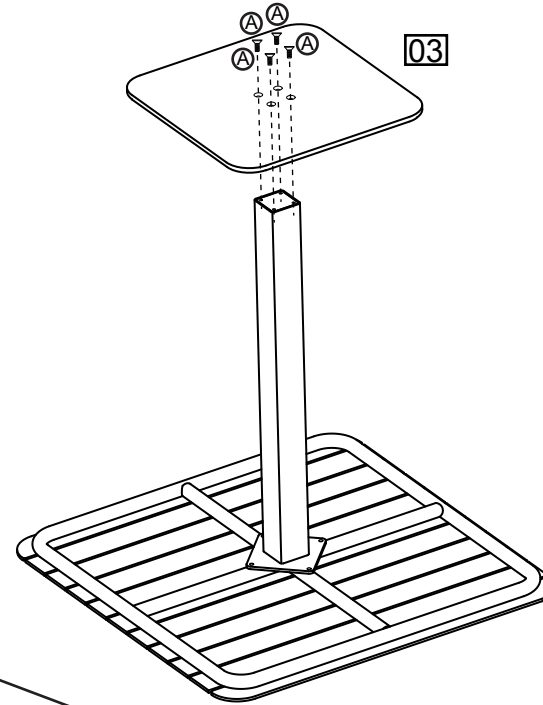
COMPONENT PARTS

FITTINGS

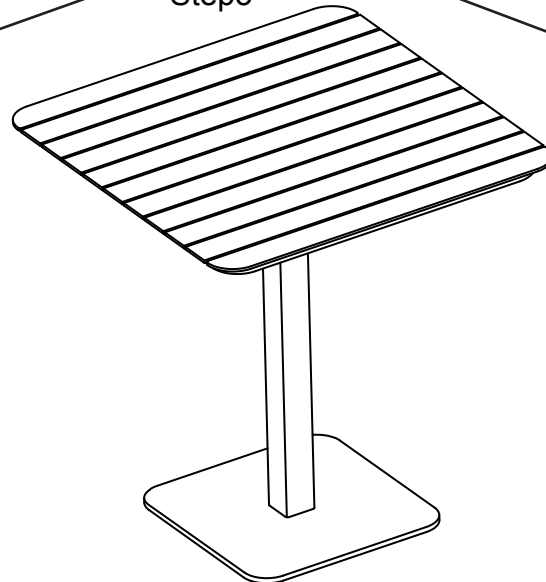
Step1

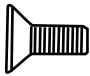



Step2



Step3



- Ⓐ  ×4
(M6×20mm)
- Ⓑ  ×4
(M6×16mm)

COMPONENT CHECKLIST

PART	No.	Qty.	
TABLETOP 01	1	1	<input type="checkbox"/>
TABLE TUBE 02	1	1	<input type="checkbox"/>
TABLE BASE 03	1	1	<input type="checkbox"/>

TOOLS REQUIRED



Allen key (supplied)