

“ Thank you for choosing a pols potten product.
To ensure safe and satisfactory use of this product,
please carefully read the below instructions beforehand. ”

general information

The construction of your furniture: The table is made of a gold plated polished stainless steel frame and tempered smoked glass top. This table is for indoor use only.

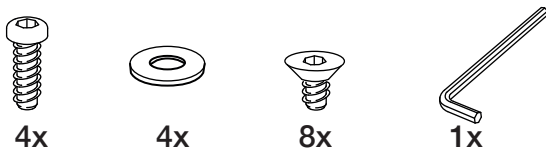
safety note

- This furniture piece should be moved and assembled by two persons
- Always completely lift the furniture in an upright position when moving it. Handle and move with care as improper handling may cause material damage and personal injury.
- Ensure the furniture is always placed level on its legs.
- Do not stand, climb or jump on the furniture.
- Please keep these instructions for future reference.

care instructions

- Clean by wiping with a damp cloth and immediately wipe dry with a soft dry cloth.
- Avoid contact with abrasive, alcohol and solvent based substances or cleaning agents, they can damage the surface.
- The use of furniture polish or sprays is neither necessary nor recommended.
- Remove liquid spills immediately with an absorbent cloth to prevent staining.
- Do not strike with hard or pointed items.

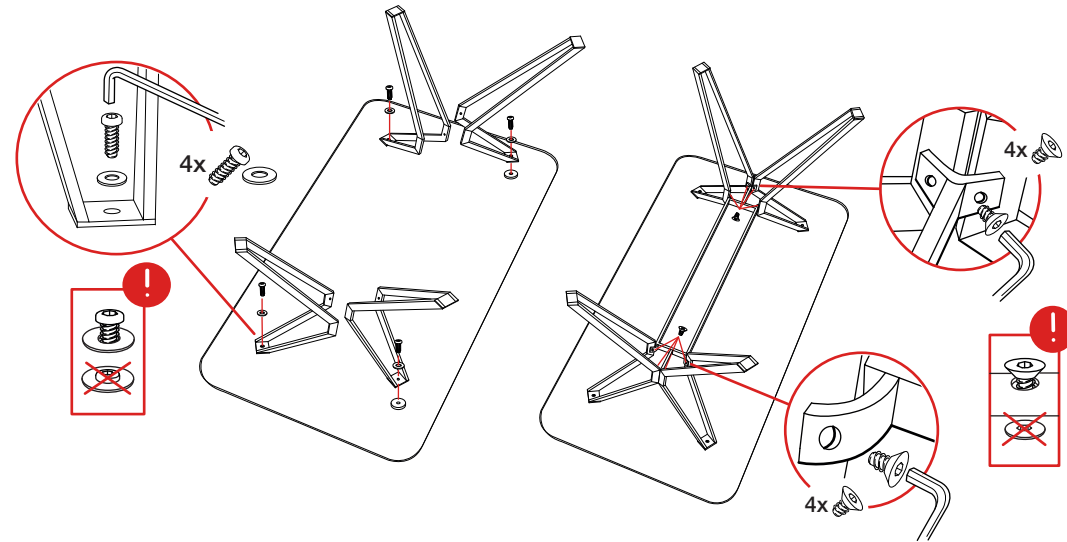
components & parts



step 1

step 2

“ first loosley assemble all the screws into all the parts. ”



step 3

“ after loosley fitting all screws, proceed to tighten them firmly to secure the whole construction. ”

