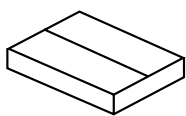
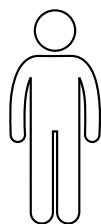




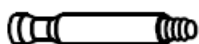
40 min



x1



x2



Ax18 (F8034M)



Bx18 ($\varnothing 15 \times 13,5$)



Cx12 ($\varnothing 8 \times 30$)



Dx8 ($\varnothing 5 \times 13$)



Ex10 ($\varnothing 3,5 \times 16$)



Fx16 (M6x16)



Gx1 (M4)



Hx18 ($\varnothing 20$)



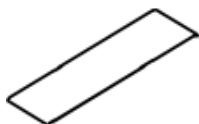
Ix4 ($\varnothing 8 \times 2$)



Jx4



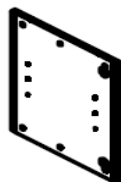
Kx10



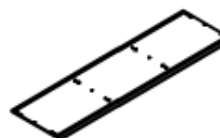
(1) x1



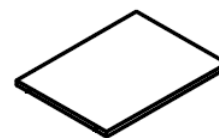
(2) x1



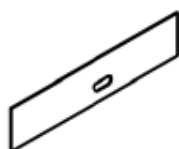
(3) x1



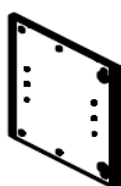
(4) x1



(5) x2



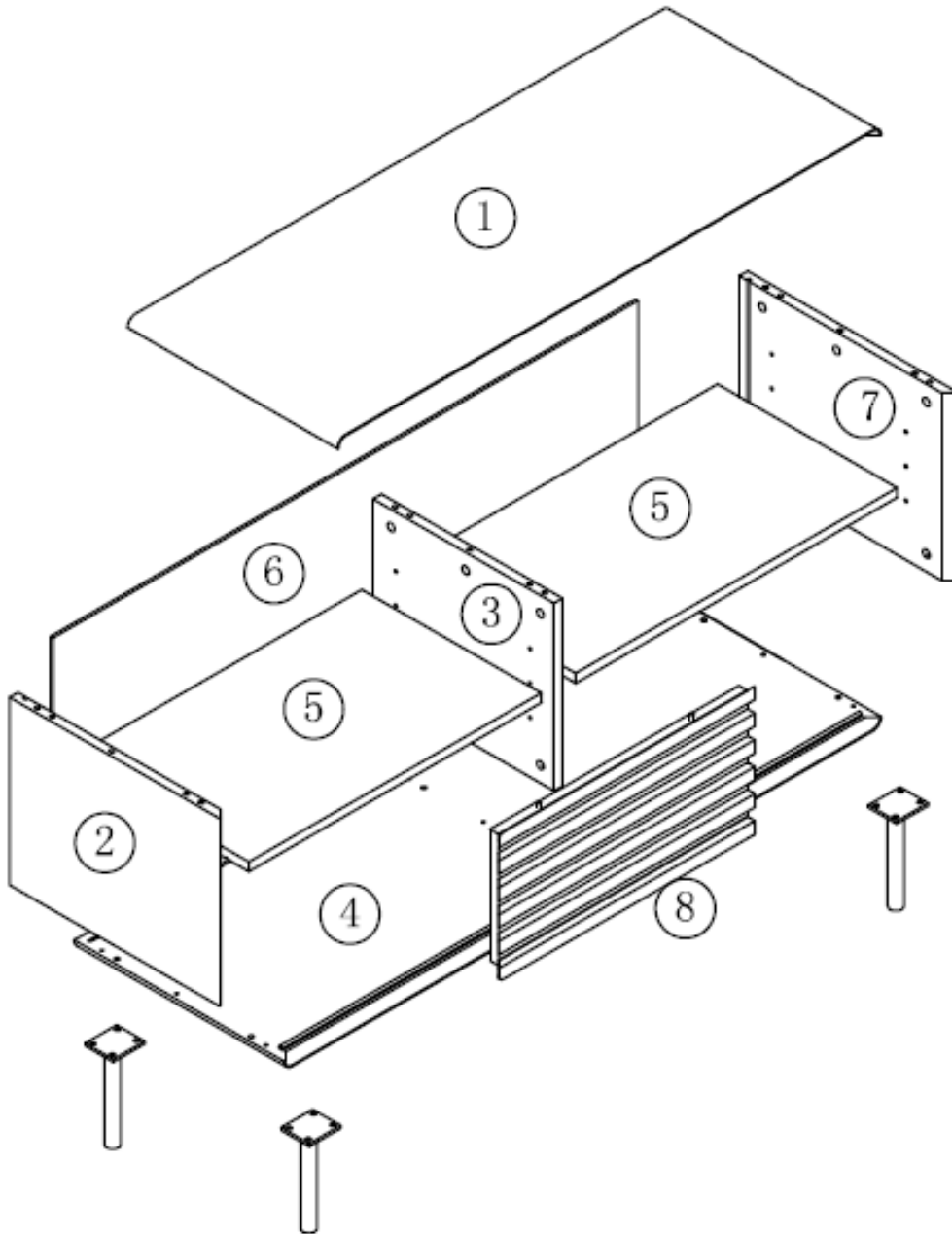
(6) x1



(7) x1

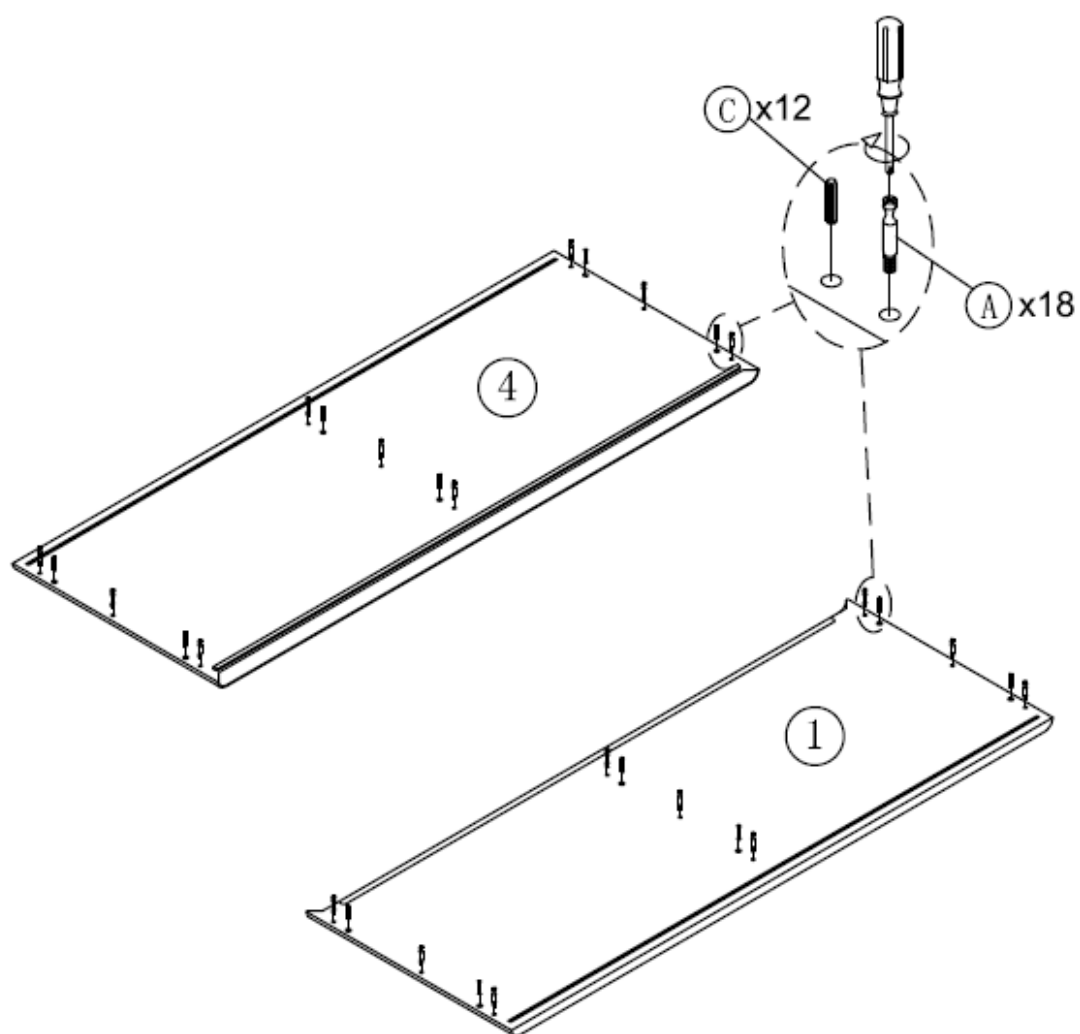


(8) x1



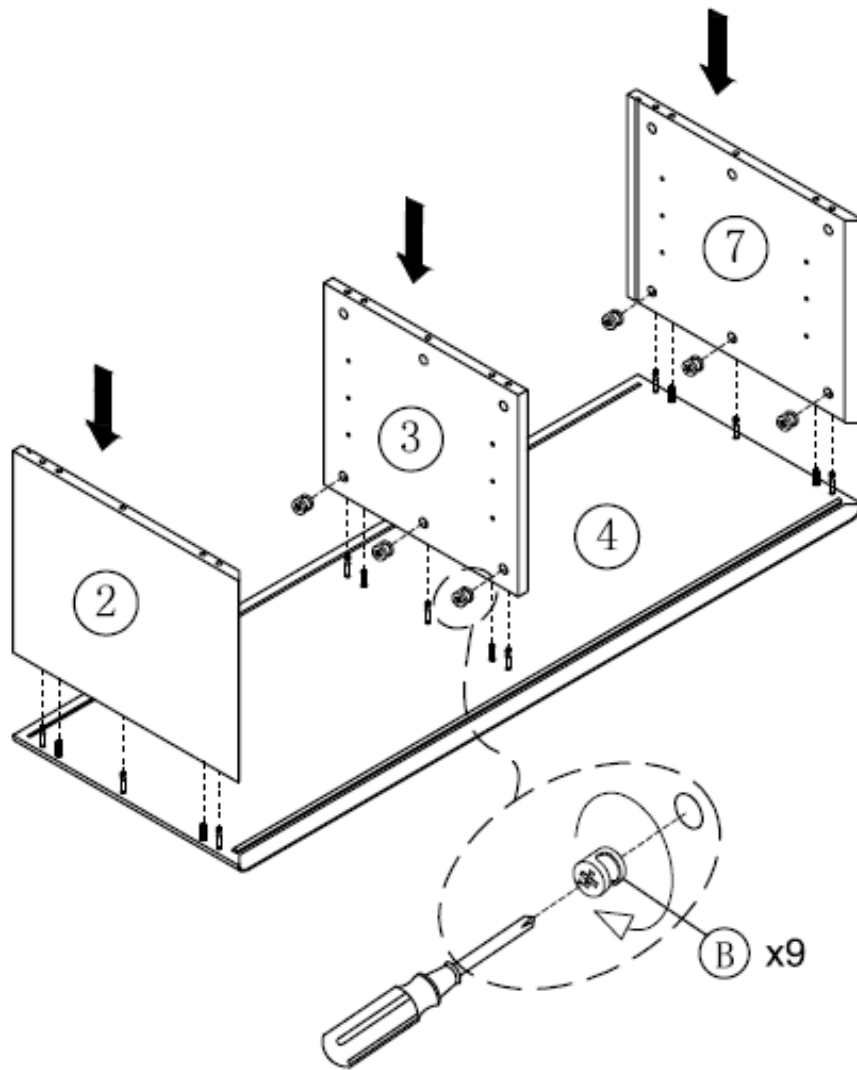


1



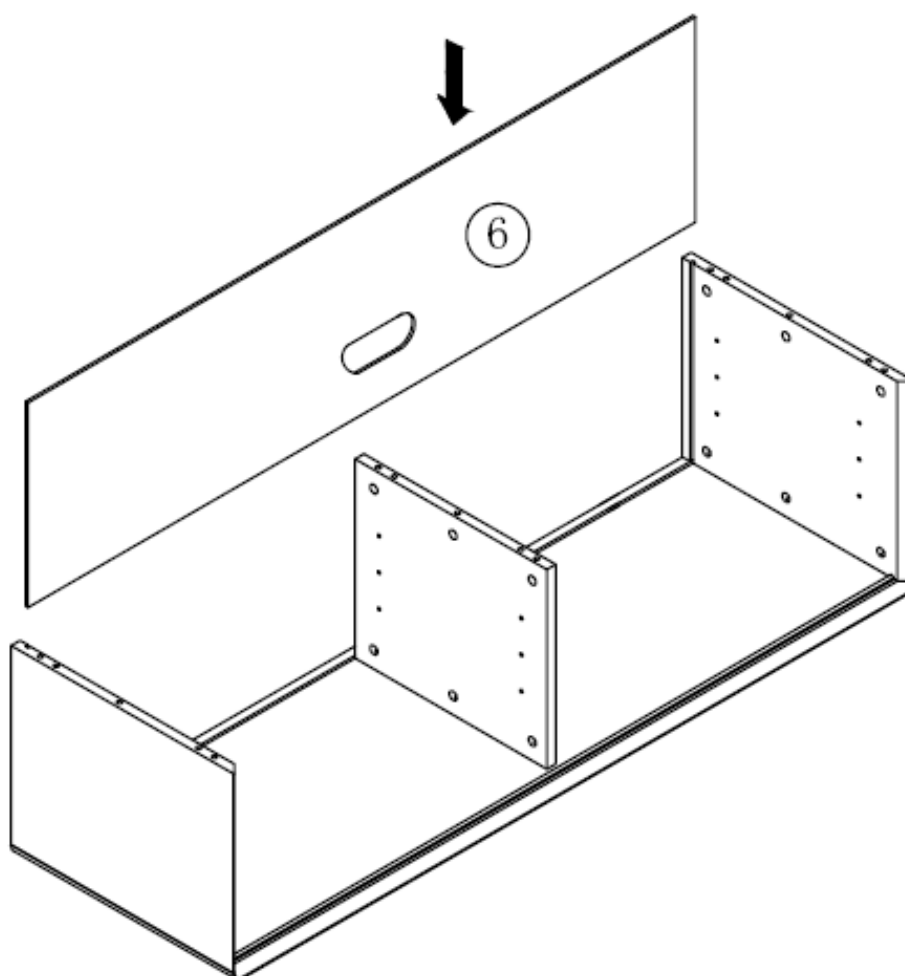


2



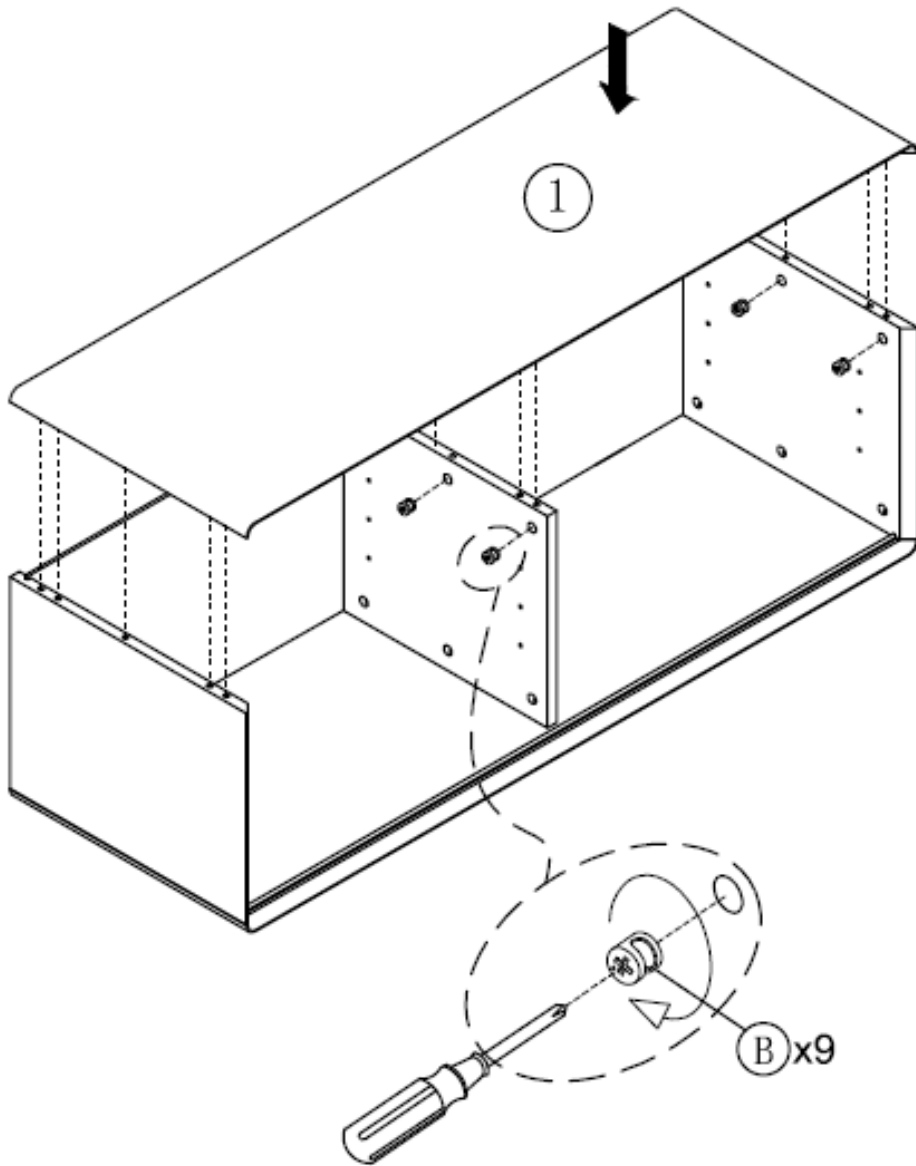


3

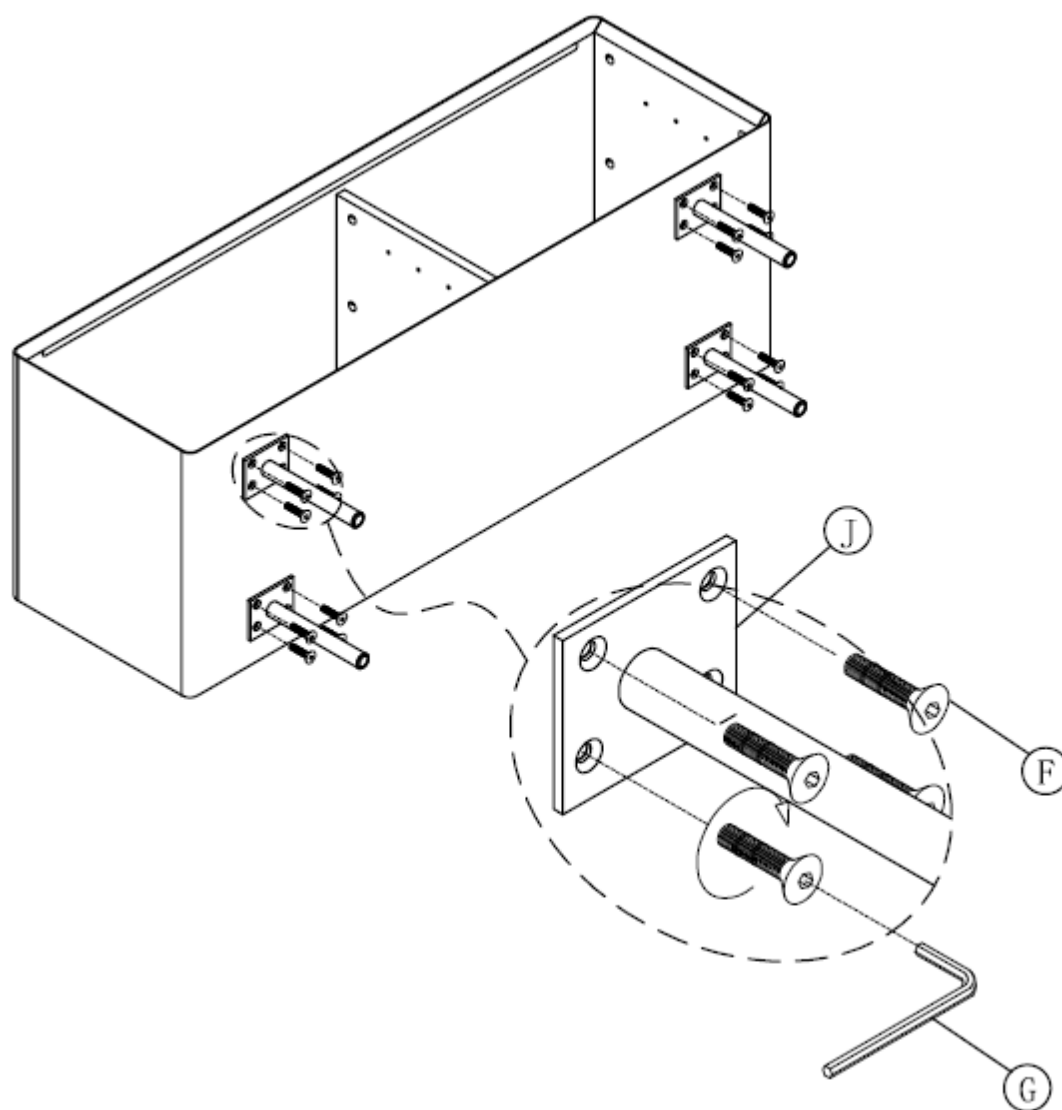




4

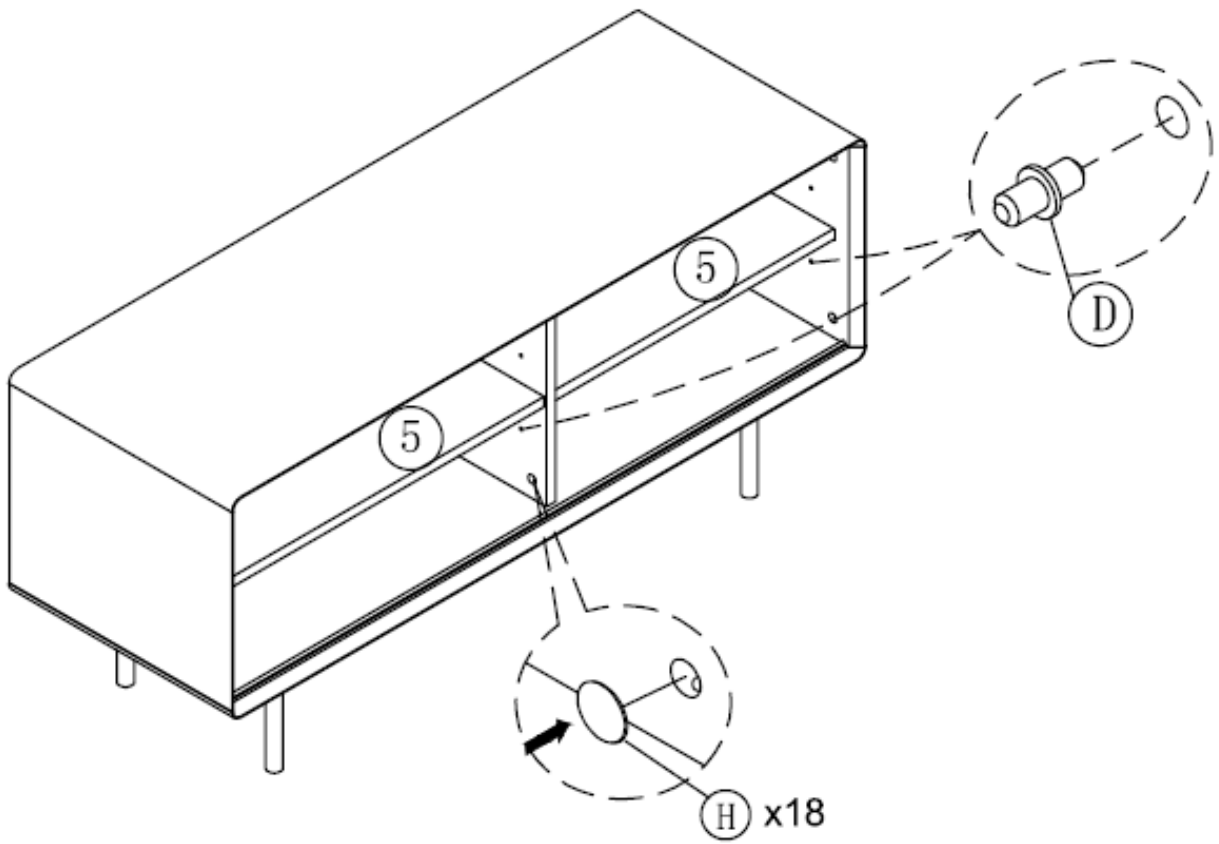


5

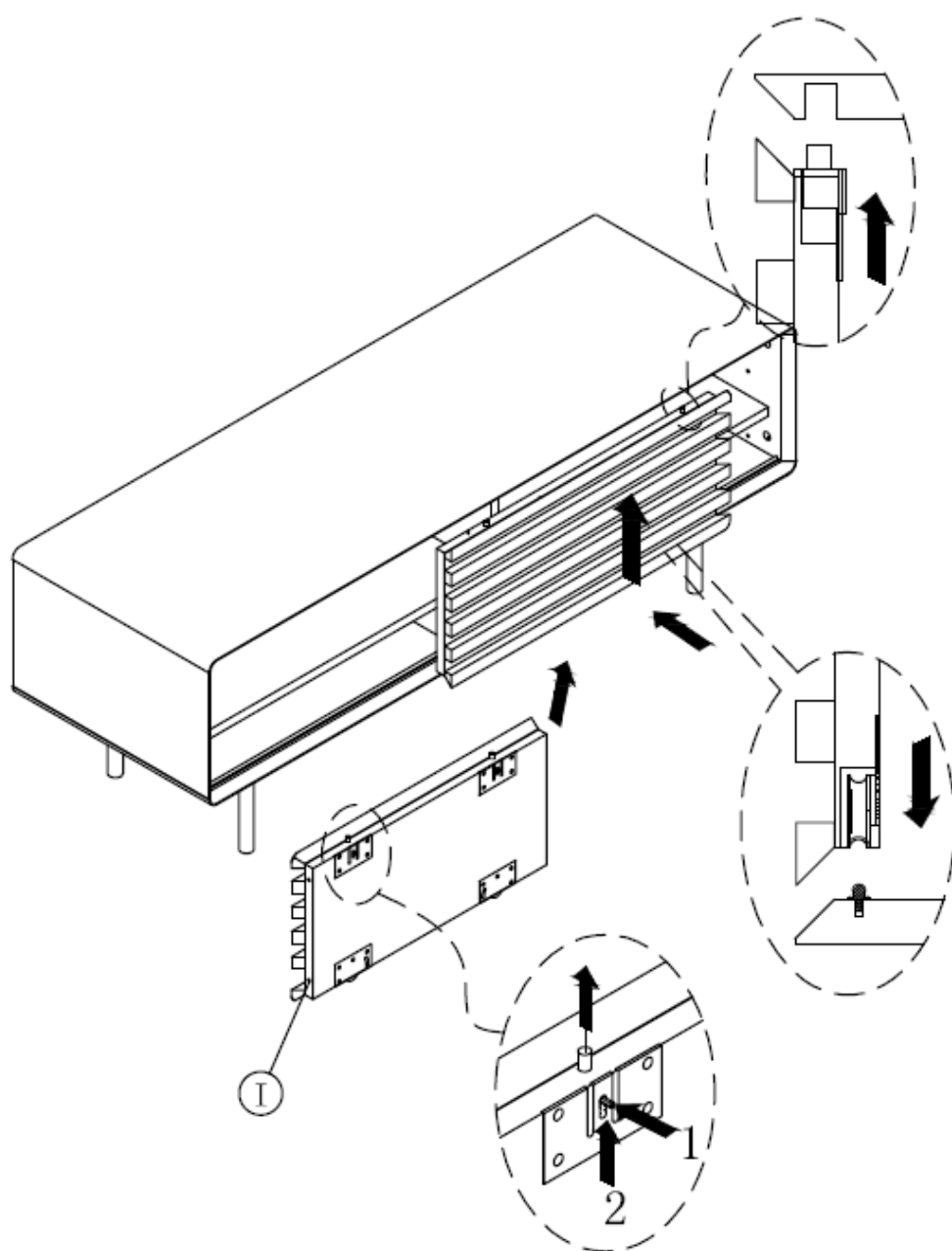




6

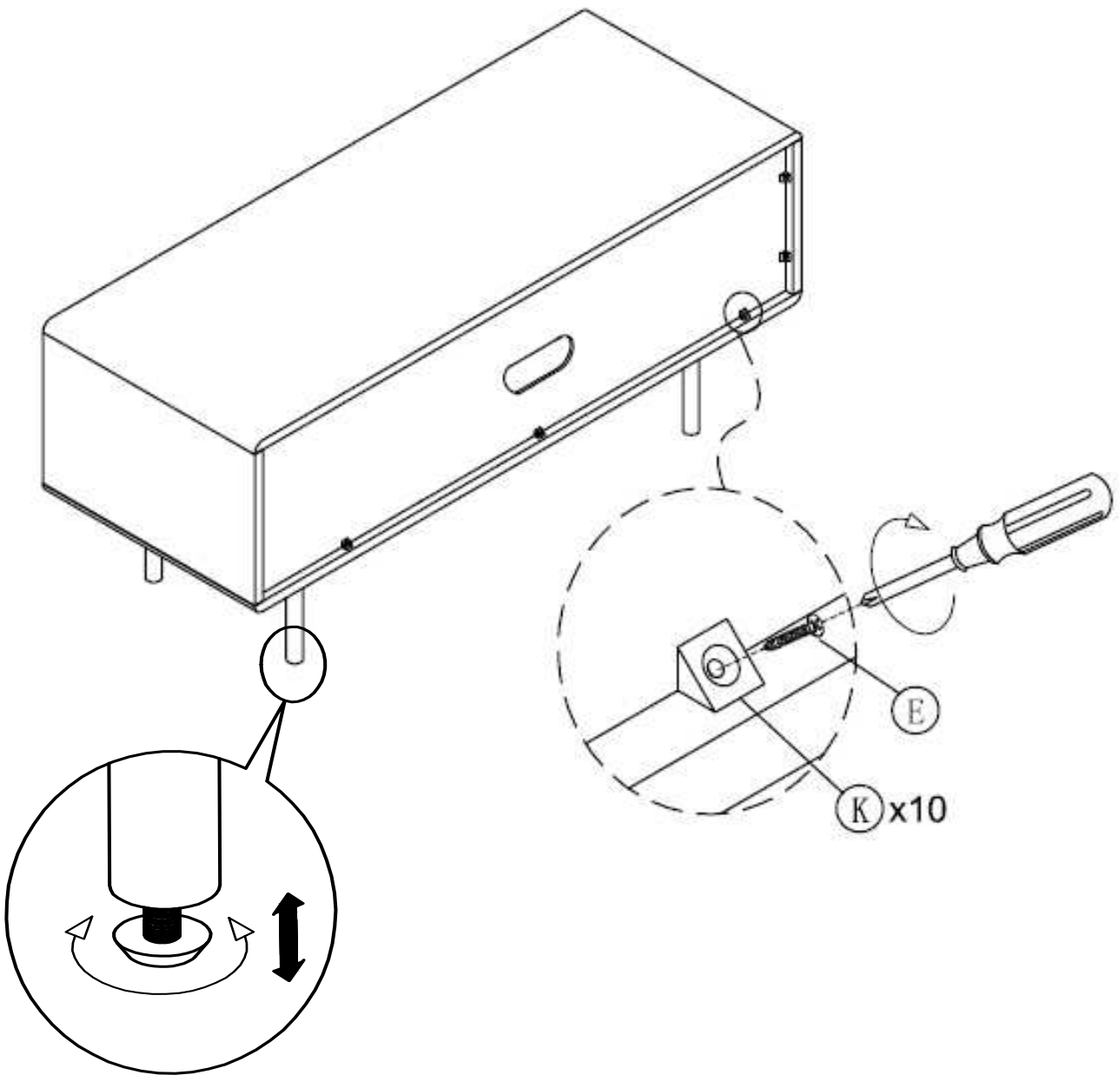


7





8





THAT'S ALL FOLKS!

JULIÀ GRUP Furniture Solutions S.L.

B-17616277

Pol. Ind. Bosc d'en Cuca

C / Tallers, 14

17410 Sils SPAIN

contact@kavehome.com