



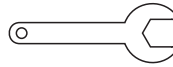
10 min



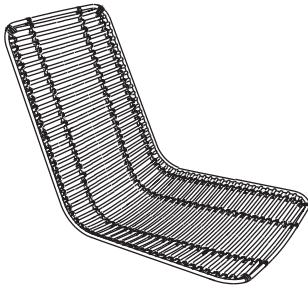
x1



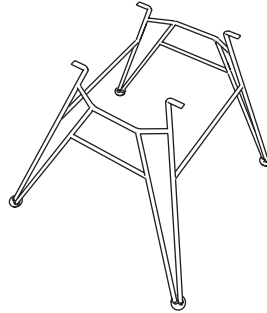
x1



x1



**A x1**



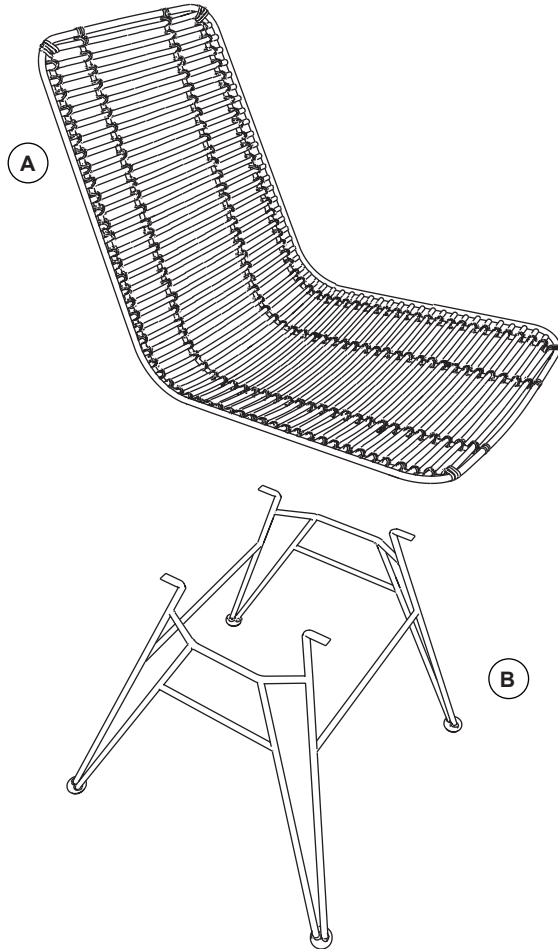
**B x1**



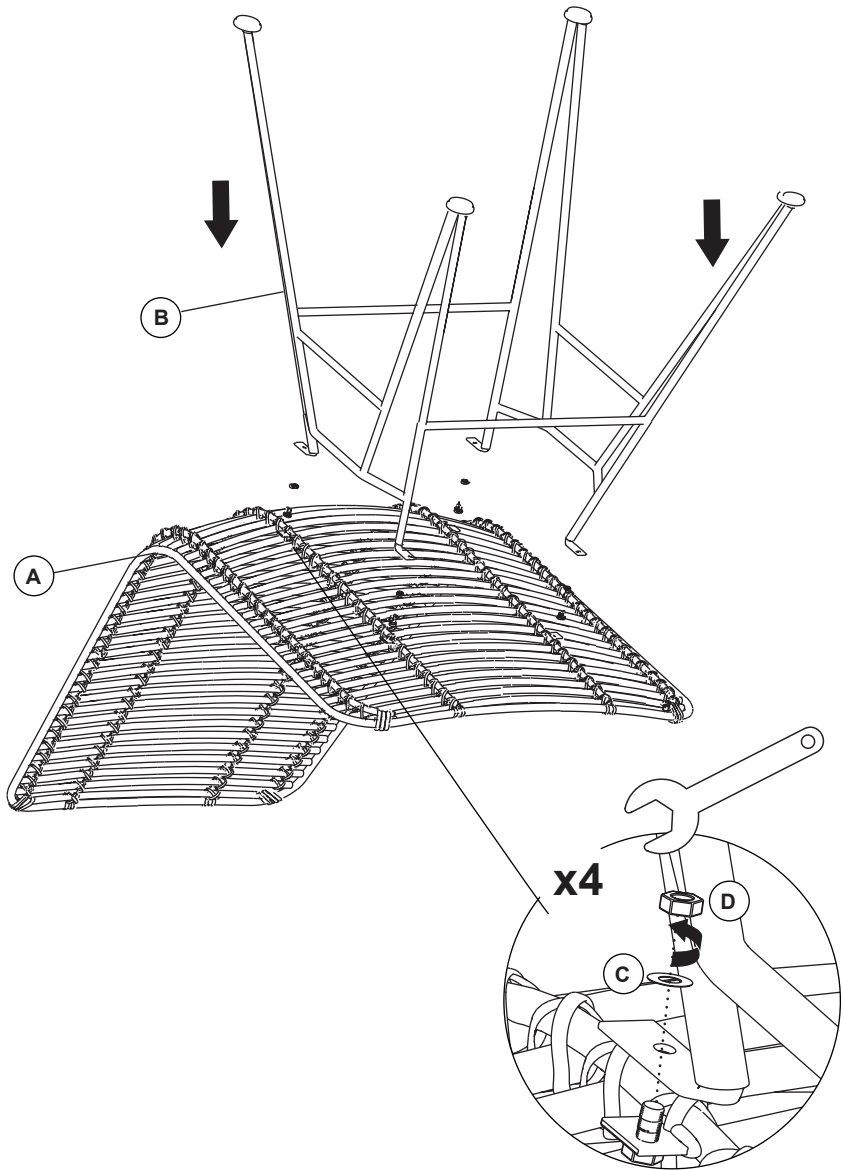
**C x4**



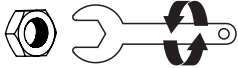
**D x4**



1



3



365days



Max 130Kg







**THAT'S ALL FOLKS!**

Share your style!

**#KaveHome**

