



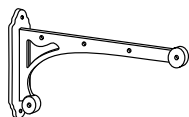
E I C H H O L T Z

100809 COATRACK ARINI

ASSEMBLY INSTRUCTION

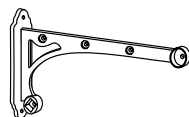
PARTS

1x



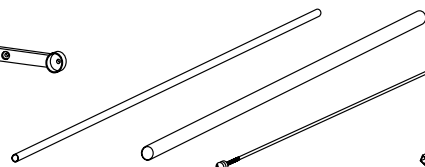
(A)

1x



(B)

3x

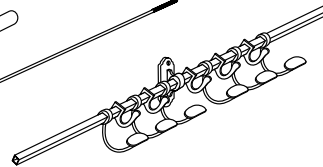


(C)

(D)

(E)

1x



(G)

5x

1x

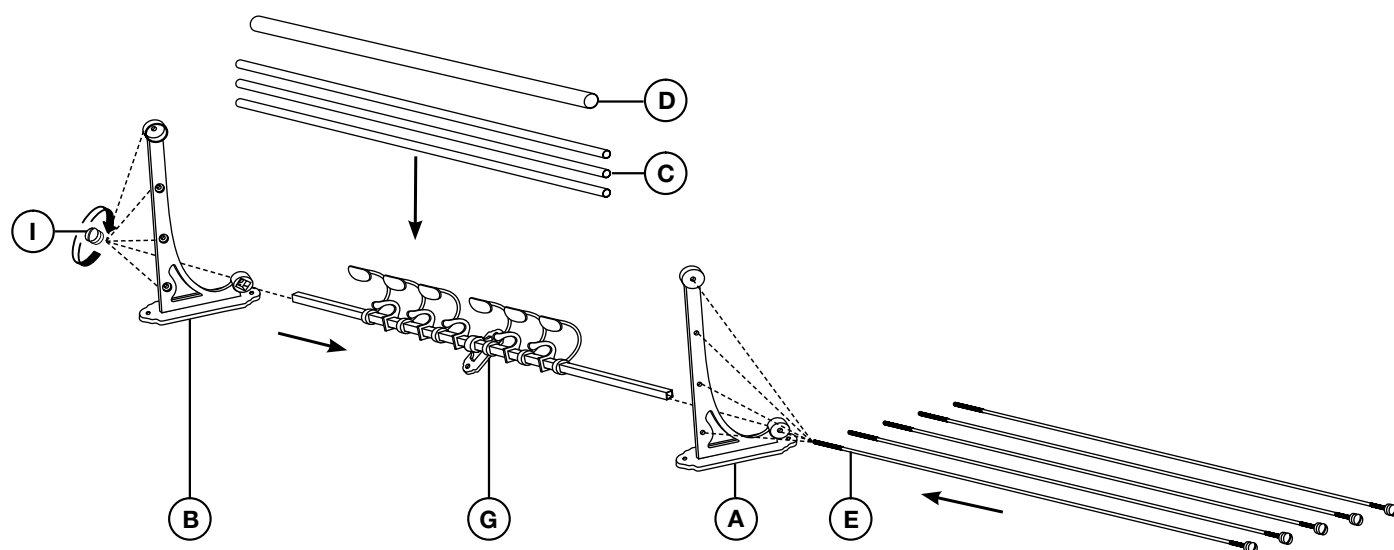


(H)



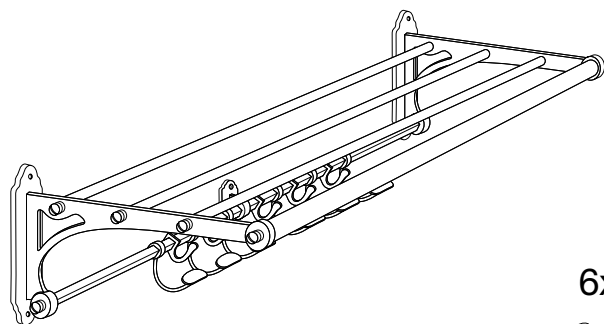
10x

(I)



FINAL

The assembly is now complete and can be mounted on the wall with the help of 6 screws H provided in the components.



6x



(H)

1. Put Left bracket "A" and the right bracket "B" on the floor.
2. Insert the square pipe loaded with hooks and a support bracket "G" into the square slots in both the brackets.
3. Take one of the iron Bars with screw nuts "E" and insert it from the other side of the square slot, starting from one bracket and continuing till the other end is visible from the other side of the other bracket.
4. Screw and loosely fasten the large screw nut on the end of the Bar which is visible from the outer side of the bracket.
5. Take 3 thin round pipes "C" and one thick round pipe "D" insert them in into their respective round slots in both the brackets.
6. Insert the 3 iron Bars with screws nuts "I".
7. Screw and loosely fasten the 4 small screw nuts as explained in the point 4 above.
8. Now, once all the pipes and nuts are in place, tightly fasten all nuts on all ends with the help of a screwdriver.
9. The assembly is now complete and can be mounted on the wall with the help of 6 (H) screws provided in the components.
Complete assembly
10. Yellow marked iron Bars to be fitted into "D" & "G" Brackets.