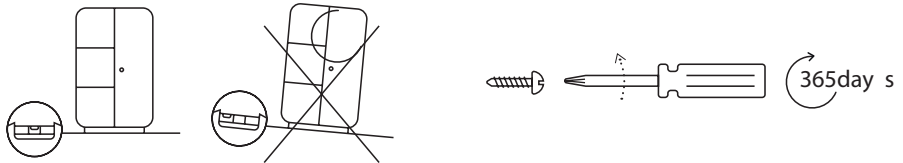
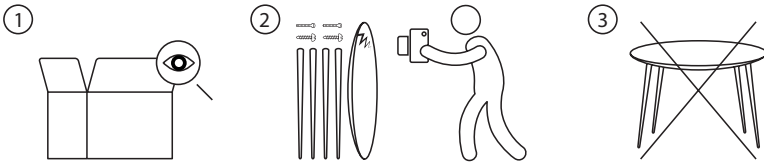
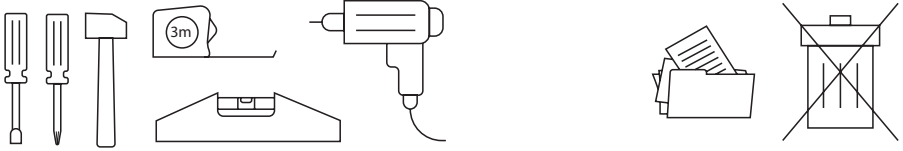
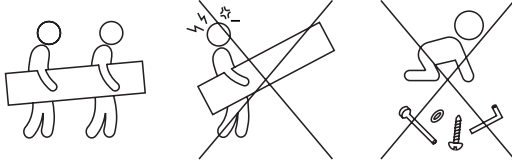
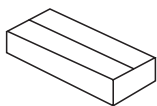


LAMPSHADE patent
USA: US 8,292,476
China: ZL200820000799.4
EU: 08014421.5-2423
Japan: 3145825
Taiwan: M350672
DE: 20 2014 007 328.7





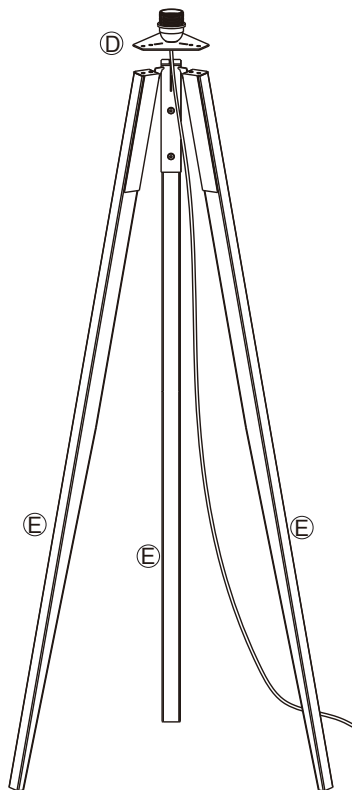
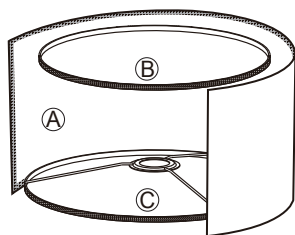
10 min



x1



x1



Fx6(M5x10mm)



Gx6(D8x1.5mm)



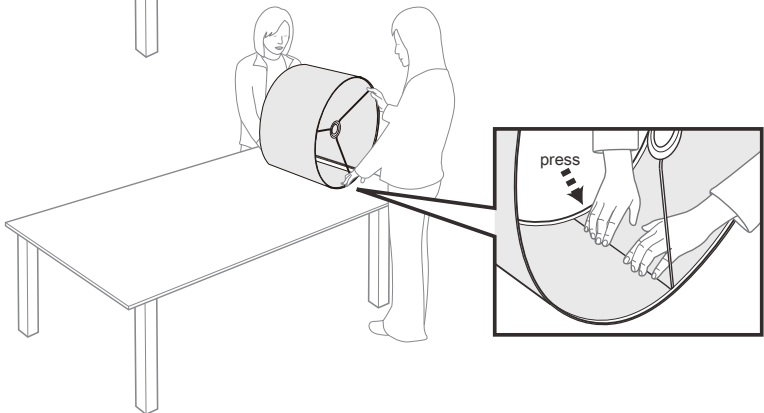
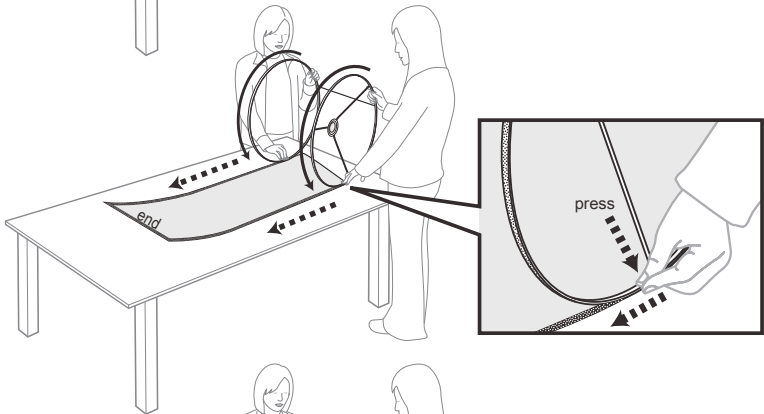
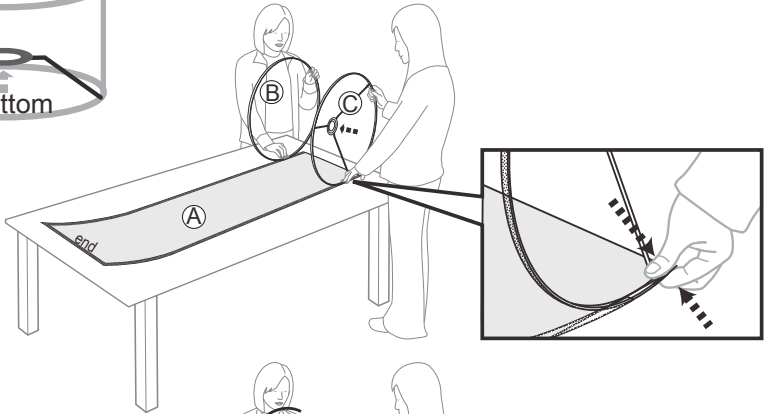
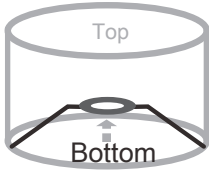
Hx1(57x21mm)



Ix1(57x12mm)

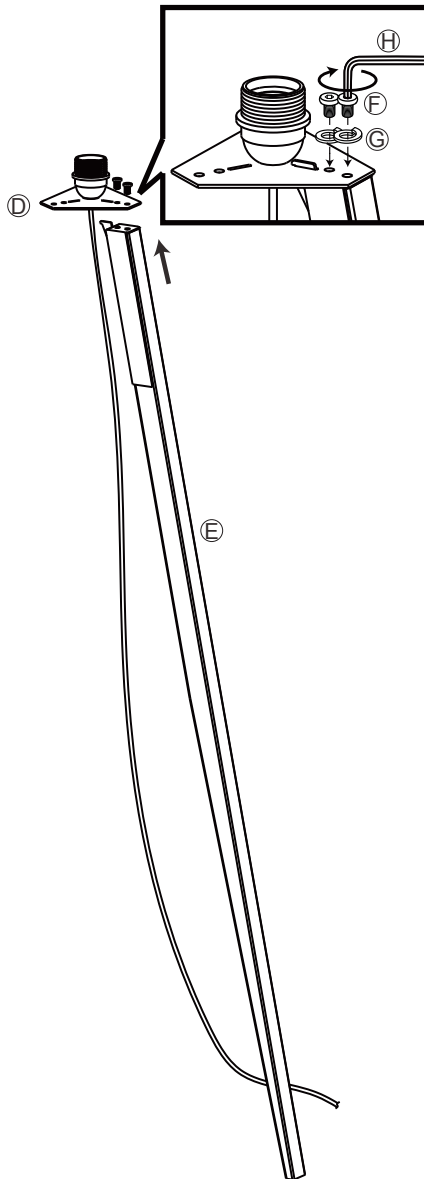


1



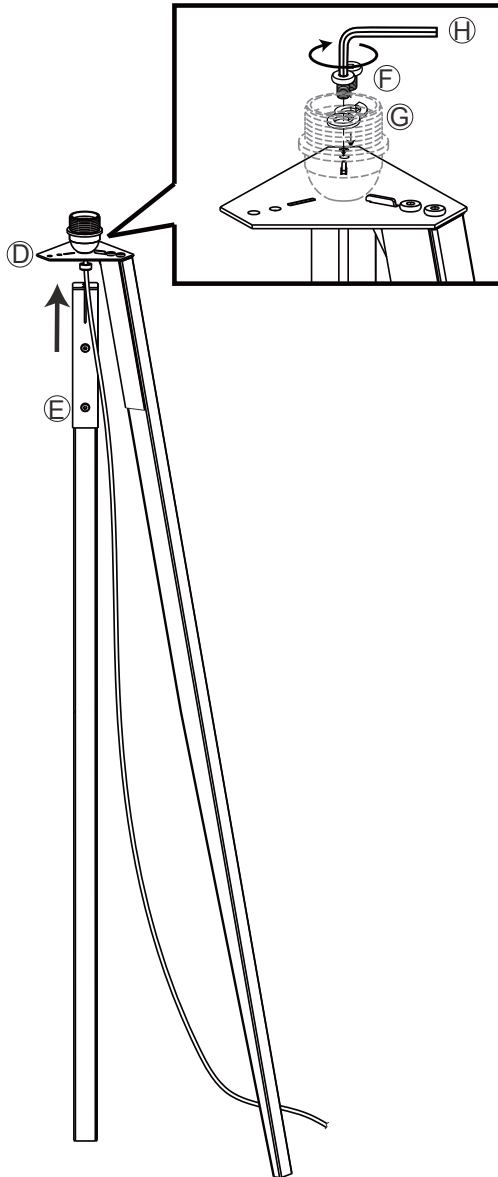


2



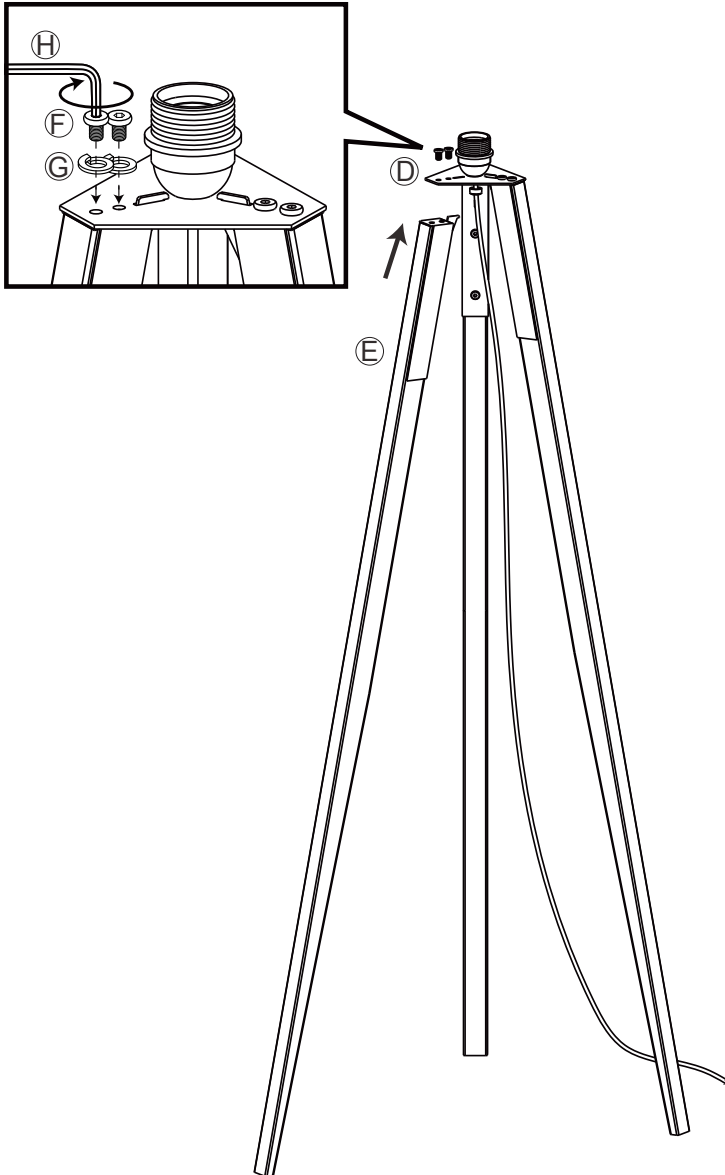


3



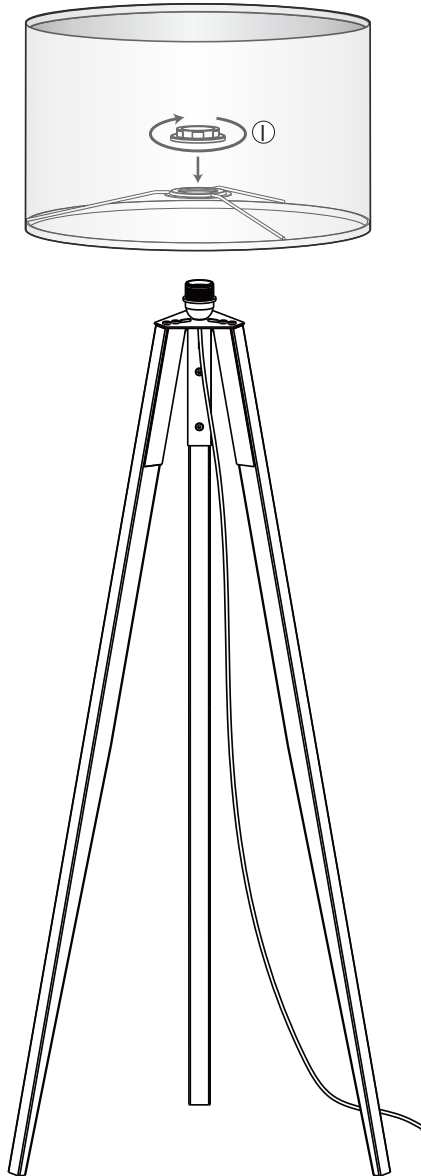


4





5



THAT'S ALL FOLKS!

JULIÀ GRUP Furniture Solutions S.L.

B-17616277

Pol. Ind. Bosc d'en Cuca

C / Tallers, 14

17410 Sils SPAIN

contact@kavehome.com