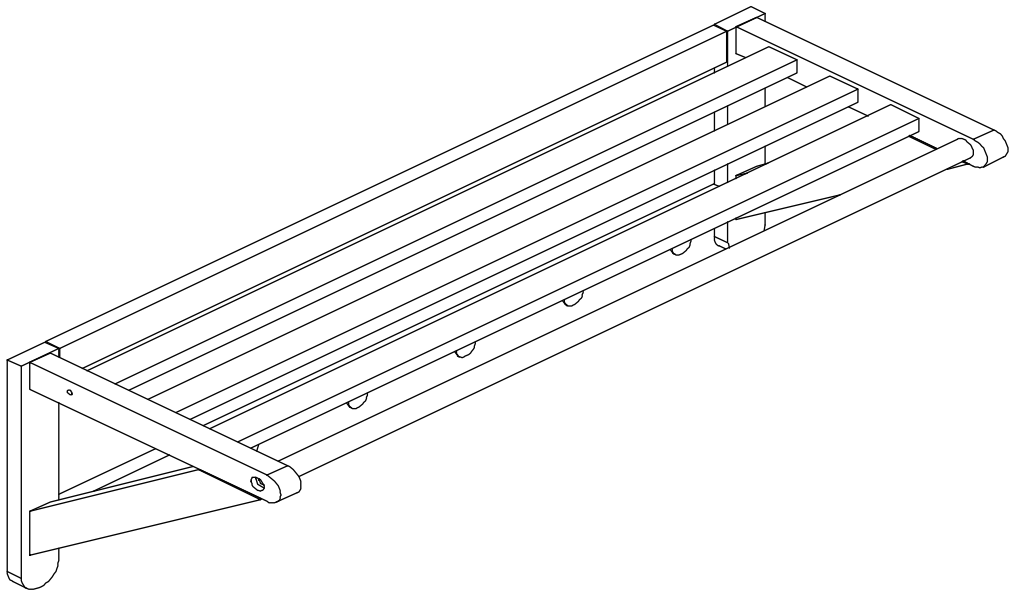
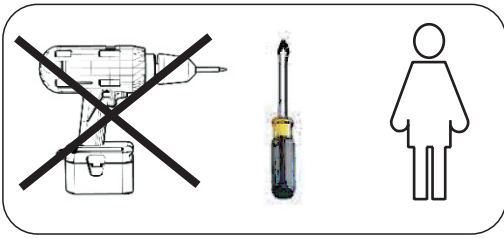


ASSEMBLY INSTRUCTION

HAT RACK 80





Ax1 	Bx1 	Cx1 	Dx2 	Ex1 	
Fx2 	Gx1 	Hx14 	I x1 	J x2 	Kx4

