

**polspotten.nl**  
**global-from-holland**

---

**Coffee table disc marble look**

design by **pols potten studio**  
530-010-series

“ Thank you for choosing a pols potten product.  
To ensure safe and satisfactory use of this product,  
please carefully read the below instructions beforehand. ”

## general information

This coffee table is made of MDF + Resin based artificial marble. This coffee table is for indoor use only.

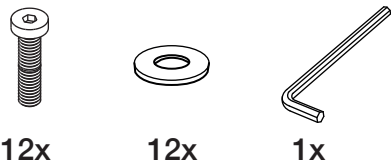
## safety note

- Always completely lift the furniture in an upright position when moving it. Handle and move with care as improper handling may cause material damage and personal injury.
- Heavy/larger furniture pieces should be moved by two persons.
- Ensure the furniture is always placed firmly on the ground.
- Do not stand, climb or jump on the furniture.

## care instructions

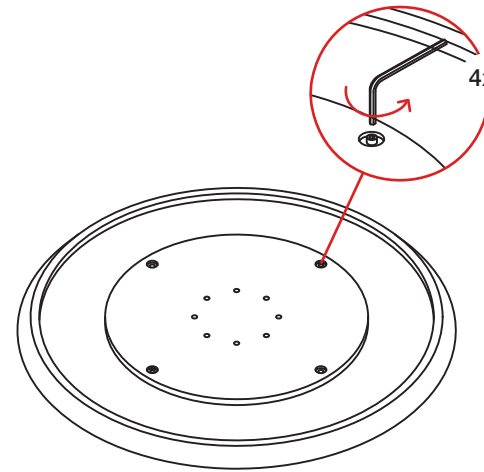
- Clean by wiping with a damp cloth and immediately wipe dry with a soft dry cloth.
- Avoid contact with abrasive, alcohol and solvent based substances or cleaning agents, they can damage the surface.
- The use of furniture polish or sprays is neither necessary nor recommended.
- Remove liquid spills immediately with an absorbent cloth to prevent staining.
- To prevent stains the use of coasters is recommended.
- Do not strike with hard or sharp items.
- Please keep these instructions for future reference.

## components & parts

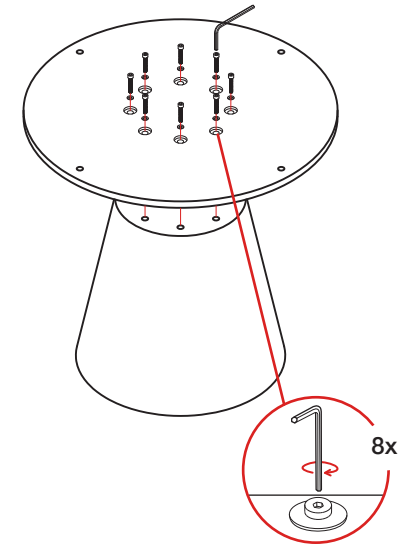


## step 1

“ first detach the connecting board from the table top. ”



## step 2



“ attach the connecting board to the table base ”

## step 3

“ attach the table top to the table base ”

