

# TRAYS | FOR STORIES

Designed by Søren Ravn Christensen

## EXTEND THE STORIES YOU WANT TO TELL

With the Stories accessories you can add extra functionality to the Stories. One of the shelves has a hole with a brass tray for your small bits and bobs. You can also use the hole for the available glass bowl accessory. In the glass bowl you can create your own indoor terrarium planter or even hold a goldfish. Add the round corner table accessory to the side of the shelving system to display a plant or other things that need that extra important spot in your space. The three wooden trays accessory with a venetian cane front make it easy to beautifully hide away your otherwise messy stuff.

Find more info on our website [umage.com](http://umage.com)



### DIMENSIONS (H x W x D)

13 cm x 25 cm x 35 cm / 5 x 9 x 13.8"  
10 cm x 25 cm x 35 cm / 4 x 9 x 13.8"  
7 cm x 30 cm x 35 cm / 3 x 12 x 13.8"



### MATERIAL

Solid oak, Particle board and Venetian cane



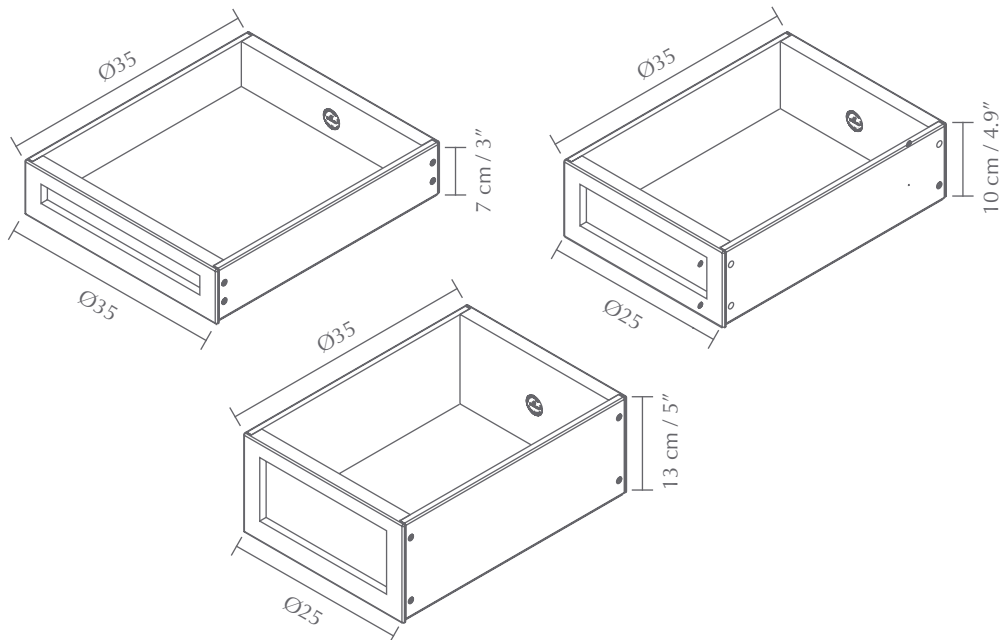
### MEDIA KIT

Photos and press material  
Download at [umagepress.com](http://umagepress.com)



### ORDERING INFORMATION

Trays oak #5621-4  
Trays dark oak #5773-4





  
UMAGE

The specifications and dimensions are subject to change without notice. Document date: 19-05-2020 | [info@umage.com](mailto:info@umage.com) | [www.umage.com](http://www.umage.com)  
Kongens Nytorv 15, DK-1050 Copenhagen K | +45 31 39 31 31 (tel) & 185 Wythe Ave 2FL, Brooklyn, NY 11249 | +1 646-790-7171 (tel)