

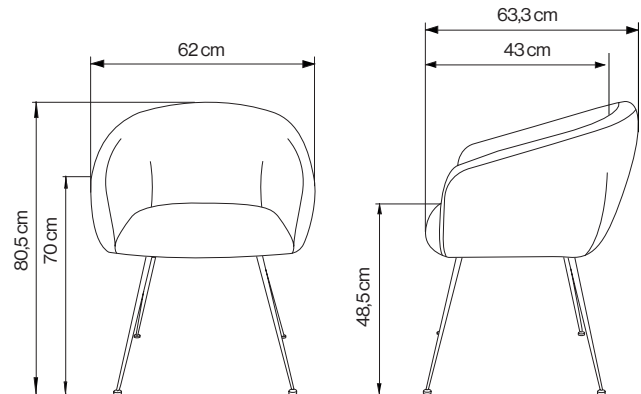
polspotten



Dining Chair Buddy

Fact Sheet

The Buddy Dining Chair is equipped with a sturdy leg construction and metal frame. Its foam moulded curves are designed to hug the contours of your body for superior comfort. The Buddy Dining Chair is suitable for a wide variety of residential and commercial environments. Qualified for contract use.



Design by	polspotten studio 2020
About the designer	This item is designed in our very own polspotten studio
Category	Furniture - Chairs
Environment	Indoor
Preassembled	No, legs must be assembled
Material & Finish	Frame: The frame is made of black powder-coated metal. Cushioning: The cushioning inside is made of fire retardant high resiliency (CMHR) foam.
Gliders	Plastic gliders are mounted
Upholstery	Dining Chair Buddy is standard available in the following upholstery: - Smooth Bermuda 84% polyester / 16% acrylic / >100.000 martindale / CF 5
Cleaning & Care	Care and maintenance instructions can be downloaded on the product page of this item at: webshop.polspotten.com or contact your account manager for more specific cleaning & care information.
Made-to-order	Non-standard fabrics or colours are made-to-order against a minimum order quantity of 50 pcs. Upholstery supplied by the customer must always be tested by us in advance to see if it can be applied to our furniture. Please contact your account manager for a specific custom made request.

Packaging Packed in one brown carton box 5-ply
Size: 68 x 64 x 51 cm
Weight: 12,5 kg

Downloads 3D files, mood images and packshots are available at the product page of the item at polspotten.nl

Textile use for customized upholstery
1,9 meters with a fabric width of 1,4 meters

Test & Certifications
Smooth Bermuda fabric: Fire retardant BS5952 Source
0 cigarette proof

Smooth Bermuda Upholstery

555-020-022 555-020-021
Dark Grey Beige

