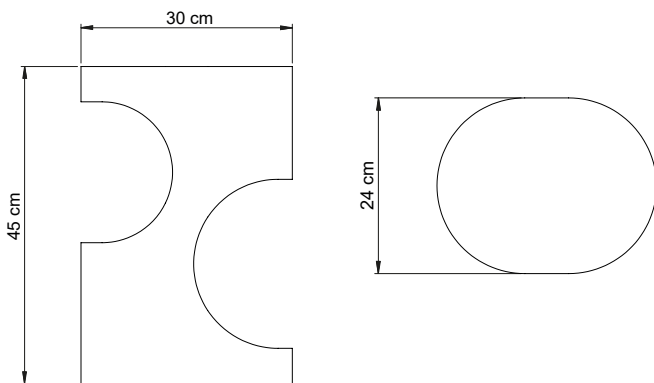


Stool double Arch

500-030-091 Stool double Arch

We tried so hard to make the stool just that little bit lighter, so we cut away a few pieces of wood to do so; here's the result. A fine looking side table or stool that'll serve you well.



Design by

pols potten studio 2019

About the designer

This item is designed in our very own pols potten studio.

Category

Furniture - stools

Environment

Outdoor proof

Preassembled

N/A

Material & Finish

Hand carved DIMB wood

Max loading capacity (stools)

150 kg

Gliders

No

Cleaning & Care

Care- and maintenance instructions can be downloaded on the product page of this item at webshop.polspotten.com or contact your account manager for more specific cleaning & care information.

Spare parts

No

Packaging

Packed in one carton box 5ply.
Size: 35 x 31 x 46 cm

Made-to-order

Non-standard fabrics or colours are made-to-order against a minimum order quantity of 10 pieces. Please contact your account manager for a specific custom made request.

Test & Certifications

No

Downloads

3D files, mood images and packshots are available at the product page of the item at webshop.polspotten.com