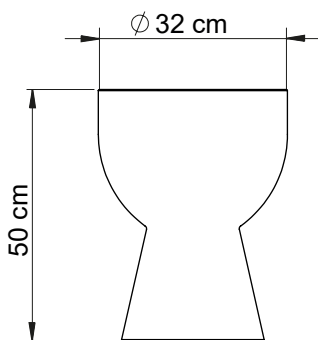


Stool tam tam

500-030-010 Stool tam tam



The collaboration between our iconic tam tam silhouette and craftsmanship exudes an organic feel with a modern aesthetic. For use as a side table, drinks table, step or, really whatever you like. But, be sure to treat the tam tam well. If you're good to your tam tam, your tam tam will be good to you.



Design by

pols potten studio 2004

About the designer

This item is designed in our very own pols potten studio.

Category

Furniture - stools

Environment

Outdoor proof

Preassembled

N/A

Material & Finish

Hand carved DIMB wood

Max loading capacity (stools)

150 kg

Gliders

No

Cleaning & Care

Care- and maintenance instructions can be downloaded on the product page of this item at webshop.polspotten.com or contact your account manager for more specific cleaning & care information.

Spare parts

No

Packaging

Packed in one carton box 5ply.
Size: 38 x 38 x 51 cm

Made-to-order

Non-standard fabrics or colours are made-to-order against a minimum order quantity of 10 pieces. Please contact your account manager for a specific custom made request.

Test & Certifications

No

Downloads

3D files, mood images and packshots are available at the product page of the item at webshop.polspotten.com